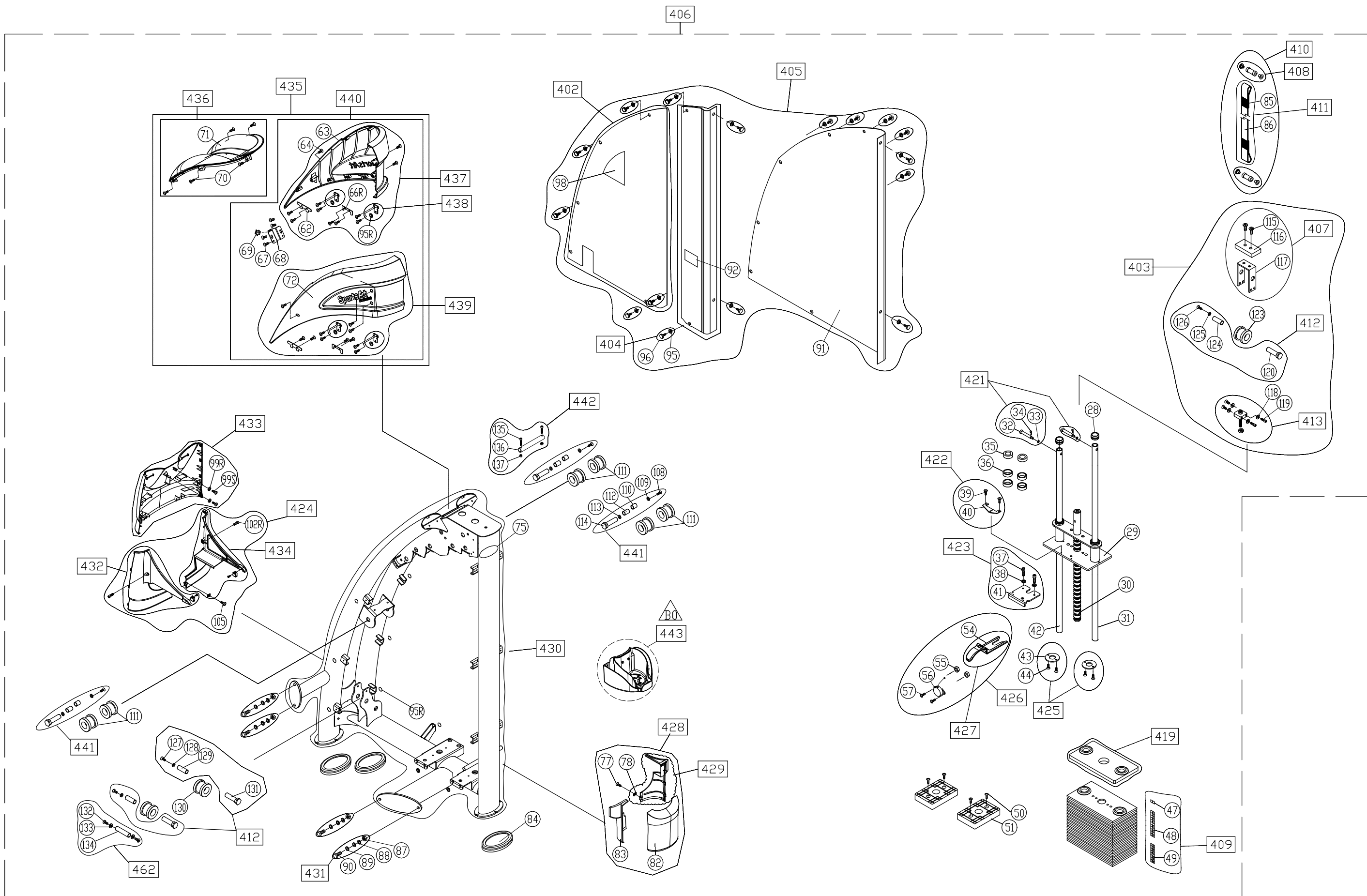


BBL	Description	QTY	Part Number	BBL	Description	QTY	Part Number
001	OWNER'S MANUAL	1	S921-001	093	FRONT COVER - SMALL	1	S912-093
028	BUSHING	2	A911-36	095	COVER WASHER - (D21.5*10.5)	15	DF-101-030A
029	UPPER COUNTERWEIGHT	1	S915-029	095R	SINGLE-SIDED TAPE	19	000-065-350
030	20-POSITION TUBE	1	097-513-041	096	SCREW - P (M6*P1.0*L20)	15	002-213-035
031	LONG STACK GUIDE TUBE	1	A912-28	098	STICKER - USAGE	1	S921-098
032	PIN	2	090-553-041	099R	WASHER - F (D20*D5.2*T3.0)	2	103-301-005
033	WASHER - R (D20*D11.1*T2)	2	003-308-011	099S	SCREW - M/P (M4*L12)	2	002-210-003
034	COTTER PIN	2	004-405-031	102R	SCREW - B/H (M6*P1.0*L20)	2	002-205-620
035	CUSHION RING	2	A911-37	105	SCREW - M/P (M4*L12)	1	002-210-003
036	GUIDE RING	4	A911-38	108	SCREW - B/H (M8*P1.25*L20)	3	002-205-820
037	SCREW -B/H (M8*P1.25*L18)	2	002-205-813	109	WASHER - F (D26*D8.3*T3)	3	003-301-027
038	WASHER - SP (M8*T2.0)	2	003-302-006	110	BUSHING	3	093-315-041
039	SCREW - B/H (M5*P0.8*L10)	2	002-205-510	111	BELT PULLEY	6	A911-03
040	CABLE BRACKET	1	A911-055	112	BUSHING	3	093-315-030
041	1-PLATE BRACKET	1	196-010-16L	113	O-RING	3	000-076-688
042	STACK GUIDE TUBE	1	A912-21	114	AXLE	3	091-513-041
043	GUIDE RING	2	P711-077	115	SCREW - P (M5*P0.8*L12)	2	002-211-255
044	SCREW - B/P (M5*L12)	4	002-207-140	116	RUBBER CUSHION	1	A951-84
047	PLATE STICKER - 5KG (GREEN)	1	S912-047	117	PULLEY BRACKET - GREY	1	192-110-34L
048	PLATE STICKER - 10-60KG (GREEN)	1	S911-048	118	WASHER - SP (M8*T2.0)	4	003-302-006
049	PLATE STICKER - 65-100KG (GREEN)	1	S911-049	119	SCREW - B/H (M8*P1.25*L20)	4	002-205-820
050	SCREW - B/H (M6*P1.0*L25)	4	002-205-622	120	PULLEY AXLE	1	090-513-111
051	WEIGHT STACK CUSHION	2	A911-48	123	BELT PULLEY	1	091-530-053
054	SELECTOR FORK - NO CORD	1	190-553-052	124	BUSHING	1	090-515-050
055	NUT - H (M4*P0.7)	2	001-102-090	125	WASHER - F (D26*D8.3*T3)	1	003-301-027
056	RETRACTING CABLE	1	DF-100-021	126	SCREW - B/H (M8*P1.25*L20)	1	002-205-820
057	SCREW - P (M4*P0.7*L25)	2	002-211-080	127	SCREW - B/H (M8*P1.25*L20)	2	002-205-820
062	COVER BRACKET	2	191-710-230	128	WASHER - F (D26*D8.3*T3)	2	003-301-027
063	TOP COVER - RIGHT	1	091-730-335	129	BUSHING	2	090-515-050
064	SCREW - M/P (M5*0.8*L15)	6	E862-224	130	BELT PULLEY	2	A911-03
066R	COVER BRACKET	2	191-710-341	131	PULLEY AXLE	2	090-513-111
067	SCREW - M/P (M5*L12)	4	002-210-036	132	SCREW - M/H (M6*P1.0*L15)	2	002-203-023
068	COVER BRACKET	1	S915-068	133	WASHER - F (D13*D6*t1.0)	2	003-301-034
069	SCREW INSERT	1	000-076-820	134	AXLE	1	092-113-110
070	SCREW - M/P (M4*L12)	21	002-210-003	135	SCREW - B/H (M5*P0.8*L25)	2	S972-030
071	TOP COVER	1	091-730-316	136	BLOCK	1	092-111-260
072	TOP COVER - LEFT	1	191-730-325	137	NUT - H/N (M5*P0.8)	2	001-101-060
075	STICKER - WARNING	1	DF-101-020D	157	HANDLE GRIP	2	S916-163
077	SCREW - M/P (M4*L12)	1	002-210-003	158	WASHER - F (D26*D8.5*T2)	4	003-301-033
078	SCREW CLIP - (M4-L16)	1	1250-111	159	BOLT - H (10MM M8*L20)	4	002-206-073
082	REAR LEG COVER - BACK	1	S912-082	164	RUBBER HANDLE COVER - OUTER	2	A921-68
083	REAR LEG COVER - LEFT	1	S912-083	165	RUBBER HANDLE COVER - INNER	2	S921-165
084	RUBBER FOOT	3	A911-10	166	ENDCAP	2	S917-203
085	ISOLATOR	2	S912-085	167	NUT - H/N (M5*P0.8)	2	001-101-070
086	KEVLAR BELT - (272.4")	1	100-005-600	168	WASHER - SP (M6)	2	003-302-011
087	NUT - H/N (M10)	4	001-101-030	169	WASHER - F (D15*D6.5*T3.0)	2	003-301-004
088	WASHER - F (D16*D10.2*T1.0)	8	003-301-141	170	AXLE	2	090-513-340
089	WASHER - SP (M10)	4	003-302-008	173	SCREW - B/H (M6*P1.0*L20)	8	002-205-620
090	SCREW - H (M10*P1.5*L35)	4	S972-144	174	WASHER - SP (M6*T1.5)	8	003-302-002
091	REAR COVER	1	S912-091	175	BELT TIGHTENING HARDWARE B	2	195-910-03L
092	STICKER - WARNING	1	DF-101-008	176	BELT BRACKET	2	195-610-61L

BBL	Description	QTY	Part Number	BBL	Description	QTY	Part Number
178	STICKER - ROUND	4	E850-177	405	COVER ASSEMBLY	1	192-091-050
179	SCREW - B/H (M8*P1.25*L20)	4	002-205-820	406	MAIN FRAME ASSEMBLY - GREY	1	192-091-06K
183	RING	4	A921-65	407	PULLEY BRACKET - GREY	1	S915-407G
184	AXLE	2	A916-48	408	BELT ROTATOR	2	A956-17
187	SCREW - B/H (M8*P1.25*L20)	4	002-202-040	409	PLATE STICKER - 5-100KG (GREEN)	1	103-191-230
189	WASHER - SP (M8)	4	003-302-010	410	BELT & HARDWARE	1	S921-410
190	SCREW - M/H (M8*P1.25*L25)	4	002-203-061	411	KEVLAR BELT & ISOLATOR - (272.4")	1	S921-411
191	NUT - H/N (M8)	4	001-101-080	412	PULLEY WHEEL AXLE	7	A916-08
193	STICKER - POSITION	1	DF-103-208	413	ADJUSTMENT HARDWARE	1	S915-413
194	SEAT POST SHEATH	1	A912-44	419	WEIGHT PLATE - 5KG	19	S911-419
195	SCREW - B/H (M5*P0.8*L10)	2	002-205-510	421	PIN	2	A912-25
196	SNAP RING - (6MM)	2	004-402-012	422	CABLE BRACKET	1	S972-406
197	AXLE PIN	1	090-513-430	423	WEIGHT PLATE BRACKET	1	S912-423
198	SPACER	2	UB521M-132	424	FRONT LEG COVER ASSEMBLY	1	192-091-240
199	COTTER PIN - (1.2*22)	2	004-405-041	425	CUSHION RING	2	S911-425
200	SEAT SHOCK	1	S912-221	426	SELECTOR FORK - W/CORD	1	A911-50
201	ADJUSTMENT PIN	1	090-513-302	427	SELECTOR FORK - NO CORD	1	190-591-530
202	WASHER - F (D17*D8.3*T1)	1	003-301-044	428	REAR LEG COVER ASSEMBLY	1	S912-428
203	SNAP RING - (6MM)	1	004-402-012	429	REAR LEG COVER - RIGHT	1	S912-429
205	SCREW - B/H (M8*P1.25*L20)	4	002-202-040	430	MAIN FRAME - GREY	1	192-091-30K
207	WASHER - SP (M8)	4	003-302-010	431	FRAME HARDWARE	4	S911-432
208	SCREW - M/H (M8*P1.25*L25)	4	002-203-061	432	FRONT LEG COVER - LEFT	1	192-091-320
209	NUT - H/N (M8)	4	001-101-080	433	FRONT LEG COVER - FRONT	1	S912-433
211	STICKER - SEAT ADJUSTMENET	1	S921-211	434	FRONT LEG COVER - RIGHT	1	S912-434
215R	PASTIC RIVET	4	000-076-990	435	TOP COVER ASSEMBLY	1	191-791-350
216	RUBBER FOOT	1	A911-10	436	TOP COVER - TOP	1	S912-436
218	ADJUSTMENT KNOB	1	A921-55	437	TOP COVER - RIGHT	1	S912-437
223	ENDCAP	2	S917-203	438	BRACKET	4	S915-438
224	END CAP	1	A912-46	439	TOP COVER - LEFT	1	S915-439
225	SCREW - M/P (M5*0.8*L12)	2	S972-174	440	TOP COVER - LEFT & RIGHT	1	191-791-400
226	ADJUSTMENT KNOB	1	A921-55	441	AXLE	3	S915-441
232	SCREW - B/H (M8*P1.25*L20)	4	002-205-820	442	BLOCK	1	A921-91
233	WASHER - F (D26*D8.3*T3)	4	003-301-027	443	BOTTLE HOLDER (NEW)	1	191-791-430
234	BUSHING	4	090-515-050	462	AXLE	1	A915-11
235	BELT PULLEY	4	A911-03	471	SEAT CUSHION - BLACK	1	S916-444B
236	PULLEY AXLE	4	090-513-111	472	SEAT CUSHION FRAME - GREY	1	S916-445
239	PULLEY BRACKET - GREY	2	192-050-40K	473	SEAT POST	1	A915-71
240	WASHER - F (D17*D8.3*T2)	4	003-301-038	474	SEAT POST SHEATH	2	S912-474
241	WASHER - SP (M8)	4	003-302-010	475	SEAT POST PIN	1	A921-45
242	SCREW - B/H (M8*P1.25*L20)	4	002-205-820	476	PIN	1	S912-476
243	STICKER - WARNING	2	082-063-030	477	CHEST CUSHION - BLACK	1	A955-05B
249	SCREW - M/H (M6*P1.0*L15)	2	002-203-023	478	CHEST PAD FRAME - GREY	1	P721-498G
250	WASHER - F (D13*D6*t1.0)	2	003-301-034	479	CHEST PAD POST	1	A921-51
251	AXLE	1	092-113-110	480A	HANDLE & ARM - GREY	2	S921-480G
254	RUBBER PAD	1	A911-53	481	ROTATOR RING	2	S921-481
259	SCREW COVER	1	C575U-430	482	END CAP - GREY	4	S915-479
260	SCREW - B/H (M5*P0.8*L15)	6	002-230-512	483	HANDLE	2	192-091-730
261	FOOT REST COVER	1	A921-60	483A	HANDLE	2	S921-483A
402	FRONT COVER ASSEMBLY	1	192-091-020	484	BELT BRACKET	2	A915-42
403	PULLEY ASSEMBLY - GREY	1	S915-403G	485	AXLE	2	A915-44
404	COVER HARDWARE	15	S912-404	486A	HANDLE & ARM ASSEMBLY - GREY	2	S921-486G

BBL	Description	QTY	Part Number	BBL	Description	QTY	Part Number
487	SEAT POST SHEATH	2	S912-478				
488	SEAT FRAME - GREY	1	192-091-78K				
489	RUBBER FOOT COVER	1	S911-430				
490	FOOT PLATE COVER	1	S921-490				
491	END CAP	2	S911-433				
492	FOOT PAD COVER	1	S917-505				
493	AXLE	1	A915-11				
494	PULLEY ASSEMBLY - GREY	1	S921-494G				
495	STOPPER	2	A916-37				
496	PULLEY - GREY	2	S921-496G				
497	GROUND ANCHORS	1	191-791-960				



CHANGE DATE	CHANGE DESCRIPTION	CHANGE NO.	NAME	 RESTRICTED USAGE , PLEASE DON'T FORWARD TO ANYONE WHO ISN'T AUTHORIZED	DRAWN BY	UNITS	MM	SALES BLOW UP DIAGRAM	DIAGRAM NO.	GHK-F101B-B	
2016.02.01	B0 水壺架修改造型, 取消 76, 新增 443	05-20150906M	蔡鴻興		VERIFIED BY	QTY	1				S921
						VERSION	B0	XX		MODEL	
						RATIO	1:16				

