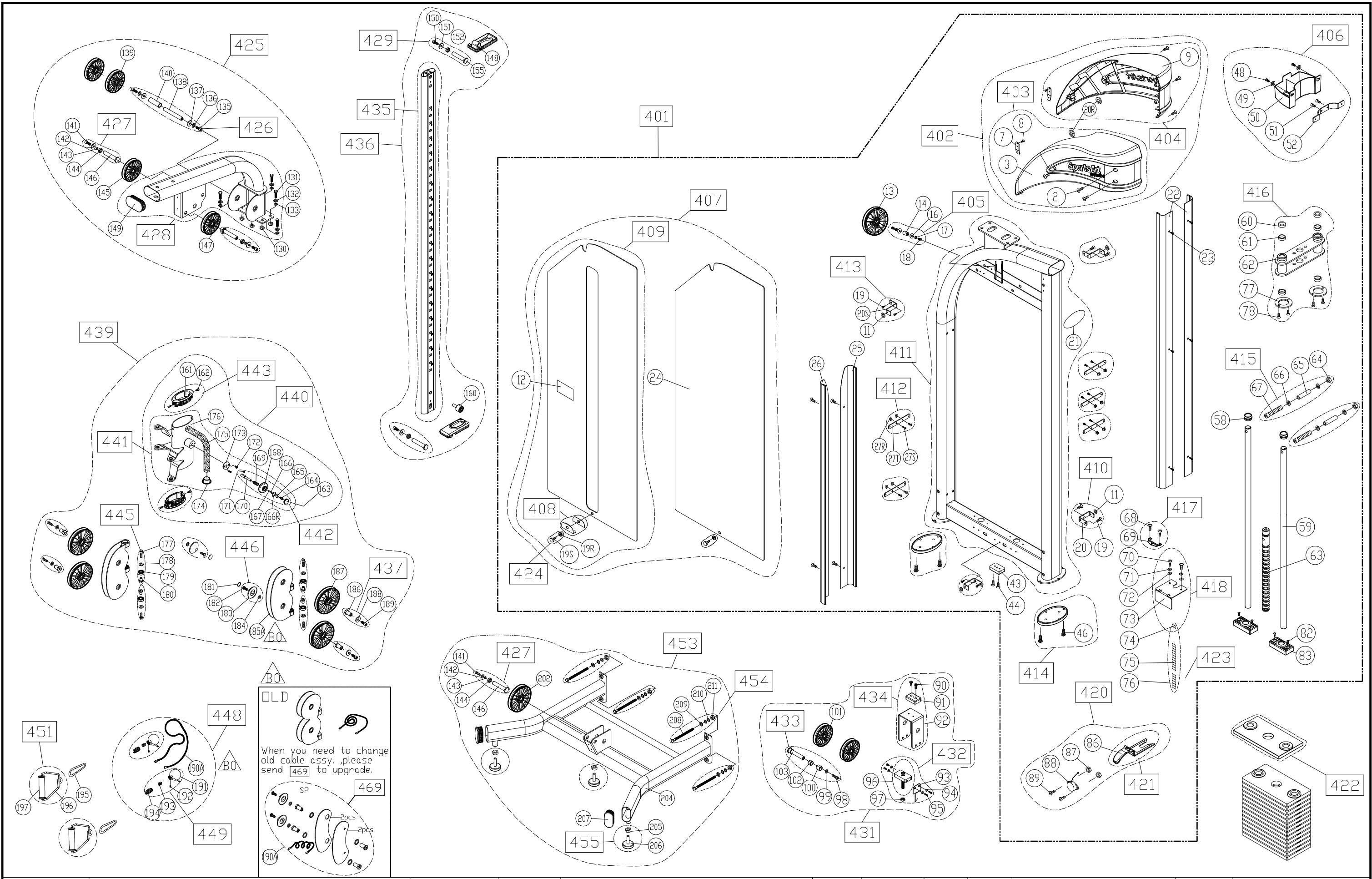


BBL	Description	QTY	Part Number	BBL	Description	QTY	Part Number
001	OWNER'S MANUAL	1	P771-001	070	SCREW -B/H (M8*P1.25*L18)	2	002-205-813
002	SCREW - P (M6*P1.0*L12)	6	002-211-282	071	WASHER - SP (M8*T2.0)	2	003-302-006
003	TOP COVER - RIGHT	1	P711-003	072	WASHER - F (D17*D8*T1.5)	2	003-301-024
007	BRACKET	2	105-710-150	073	1-PLATE BRACKET	1	196-010-16L
008	SCREW - M/P (M4*L12)	2	002-210-003	074	PLATE STICKER - 5KG (GREEN)	1	S912-047
009	TOP COVER - LEFT	1	P711-009	075	PLATE STICKER - 10-60KG (GREEN)	1	S911-048
011	SINGLE-SIDED TAPE	4	000-065-350	076	PLATE STICKER - 65-100KG (GREEN)	1	S911-049
012	STICKER - WARNING	1	DF-101-008	077	GUIDE RING	2	P711-077
013	PULLEY WHEEL	1	P735-142	078	SCREW - B/P (M5*L12)	4	002-207-140
014	AXLE	2	DF-100-032	082	SCREW - B/H (M6*P1.0*L15)	4	002-205-613
016	WASHER - F (D20*D6.3*T1.5)	2	003-301-043	083	WEIGHT STACK CUSHION	2	P711-083
017	WASHER - SP (M6)	2	003-302-011	086	SELECTOR FORK - NO CORD	1	190-553-052
018	SCREW - M/H (M6*P1.0*L12)	8	002-203-027	087	NUT - H (M4*P0.7)	2	001-102-090
019	SCREW - M/H (M6*P1.0*L12)	8	002-203-027	088	RETRACTING CABLE	1	DF-100-021
019R	COVER WASHER - (D21.5*10.5)	2	DF-101-030A	089	SCREW - P (M4*P0.7*L25)	2	002-211-080
019S	COVER SCREW - (M6*P1.0*20)	2	002-213-035	090	SCREW - P (M5*P0.8*L10)	2	002-211-254
020	BRACKET	2	105-710-210	091	RUBBER CUSHION	1	A951-84
020R	FOAM RING	2	005-757-720	092	PULLEY BRACKET - SILVER	1	107-110-30C
020S	BRACKET	2	107-110-240	092	PULLEY BRACKET - GREY	1	107-110-30K
021	STICKER - WARNING	1	DF-101-020D	093	BRACKET	1	107-110-270
022	COVER FRAME - GREY	2	P711-022G	094	WASHER - SP (M8)	4	003-302-010
022	COVER FRAME - SILVER	2	P711-022S	095	SCREW - B/H (M8*P1.25*L20)	4	002-205-820
023	SCREW - M/P (M5*0.8*L8)	10	002-209-137	096	CABLE TIGHTNER	1	091-051-011
024	REAR COVER	1	P722-024	097	NUT - H (M10)	1	001-102-141
025	COVER FRAME - GREY	1	P722-025G	098	SCREW - B/H (M8*P1.25*L20)	1	002-205-820
025	COVER FRAME - SILVER	1	P722-025S	099	WASHER - F (D26*D8.3*T3)	1	003-301-027
026	COVER FRAME - GREY	1	P711-026G	100	SPACER	1	091-015-070
026	COVER FRAME - SILVER	1	P711-026S	101	PULLEY WHEEL	2	P735-142
027R	SCREW INSERT	10	000-076-820	102	BUSHING	1	093-315-030
027S	SCREW - M/P (M5*L15)	10	002-210-034	103	AXLE	1	091-013-121
027T	BRACKET	5	105-710-182	130	NUT - H/N (M10)	4	001-101-030
043	RUBBER CUSHION	1	A951-84	131	SCREW - H (M10*P1.5*L30)	4	002-206-070
044	SCREW - P (M5*P0.8*L12)	2	002-211-255	132	WASHER - SP (M10)	4	003-302-008
046	PASTIC RIVET	4	000-076-990	133	WASHER - F (D21*D10.5*T2)	8	003-301-001
048	SCREW - M/H (M6*P1.0*L12)	2	002-203-027	135	SCREW - B/H (M8*P1.25*L20)	2	002-205-820
049	WASHER - F (D20*D6.3*T1.5)	2	003-301-043	136	WASHER - SP (M8)	2	003-302-010
050	BOTTLE HOLDER	1	090-530-500	137	WASHER - F (D22*D8.2*T2)	2	003-301-042
051	SCREW - M/H (M5*L20)	2	002-203-051	138	AXLE	1	007-113-250
052	BRACKET	1	090-530-520	139	PULLEY WHEEL	2	P735-142
058	BUSHING	2	A911-36	141	SCREW - B/H (M8*P1.25*L20)	2	002-205-820
059	STACK GUIDE TUBE	2	P711-059	142	WASHER - F (D26*D8.3*T3)	1	003-301-027
060	CUSHION RING	2	A911-37	143	O-RING	2	000-076-688
061	GUIDE RING	4	A911-38	144	BUSHING	2	091-015-040
062	UPPER COUNTERWEIGHT	1	S915-029	145	PULLEY WHEEL	1	P735-142
063	16-POSITION TUBE	1	P712-063	146	AXLE	2	091-013-090
064	NUT - H/N (M8)	2	001-101-080	147	PULLEY	1	A971-08
065	AXLE	2	005-730-010	147S	WASHER - F (D22*D8.2*T2)	4	003-301-042
066	WASHER - F (D17*D8.3*T2)	4	003-301-038	148	TUBE SHEATH	2	A971-38
067	SCREW - H (M8*P1.25*L65)	2	002-206-068	149	END CAP	1	DF-102-027
068	SCREW - B/H (M5*P0.8*L10)	2	002-205-510	150	SCREW - B/H (M8*P1.25*L20)	2	002-202-040
069	CABLE BRACKET	1	A911-055	151	WASHER - (D24*D11*T3.0)	2	103-301-165

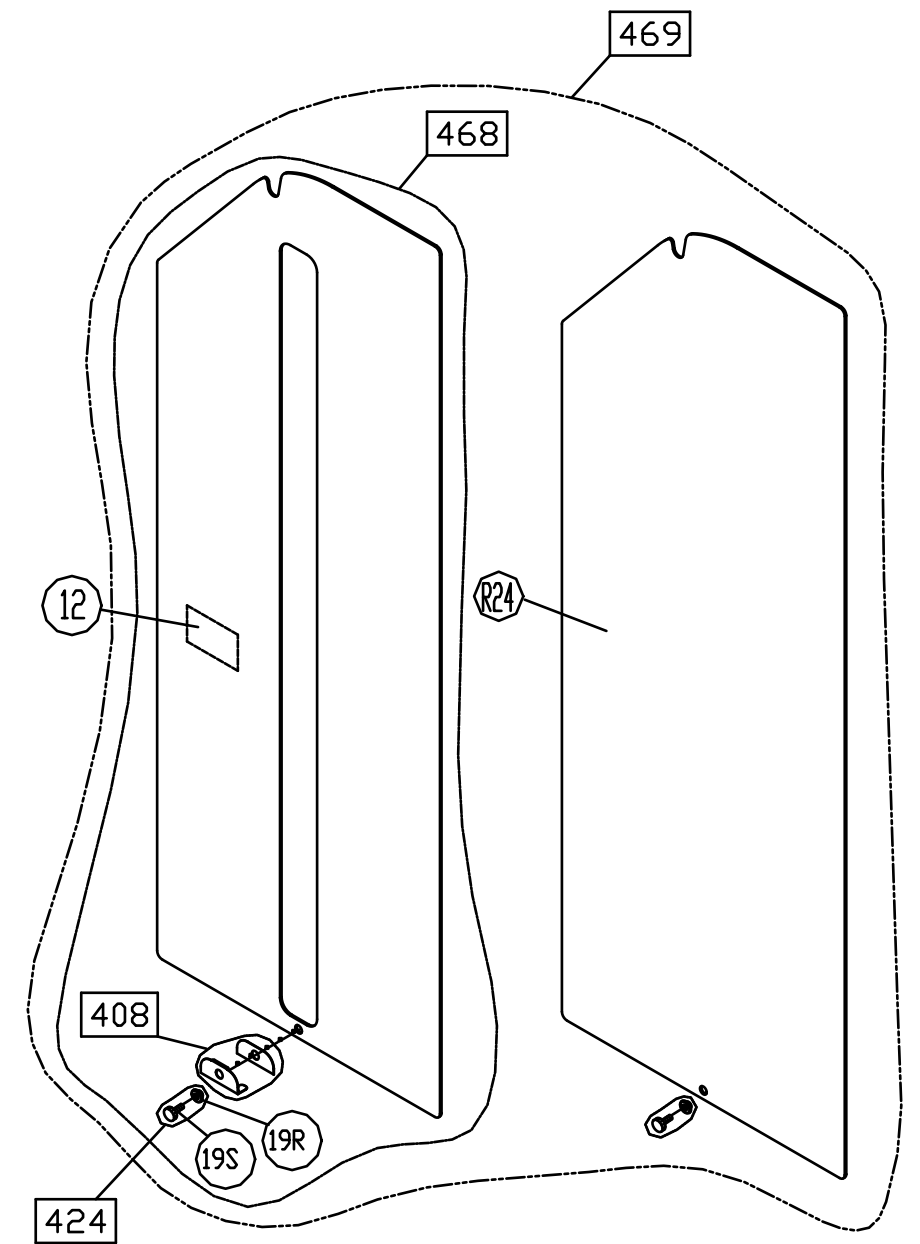
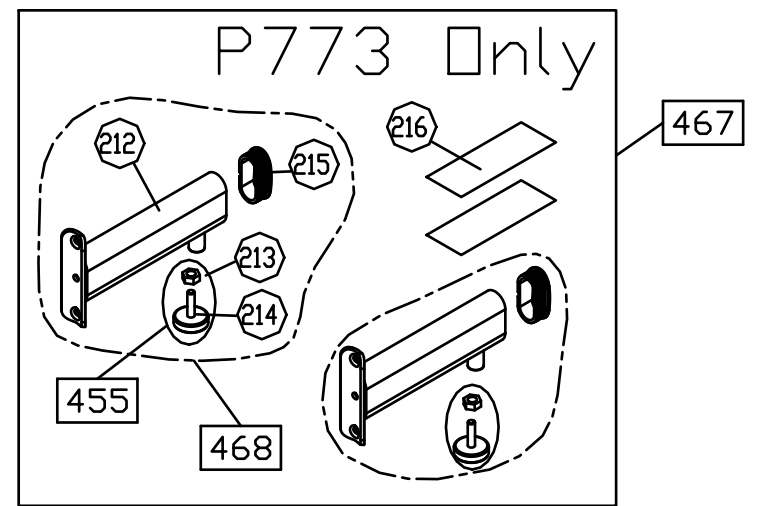
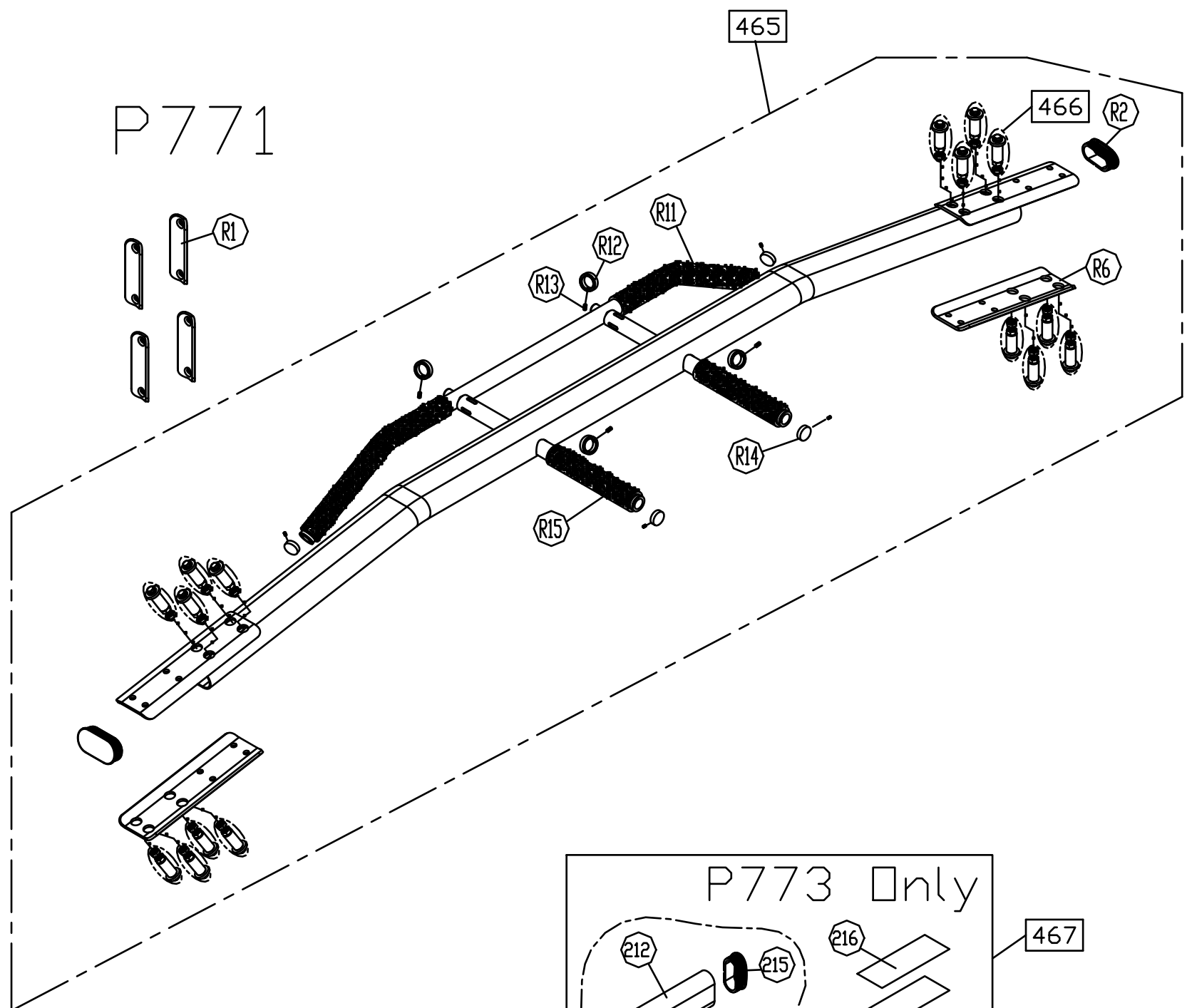
BBL	Description	QTY	Part Number	BBL	Description	QTY	Part Number
152	BUSHING	2	091-015-040	202	PULLEY	1	A971-08
155	PIN	2	097-913-150	203	AXLE	1	091-013-090
156	SCREW - B/H (M5*L12)	2	002-205-514	204	BASE FRAME - SILVER	1	P771-204S
157	WASHER - F (D12*D5.5*T2.5)	2	103-301-002	204	BASE FRAME - GREY	1	P771-204G
158	BUSHING	2	097-215-952	205	NUT - H (M10*P1.5*H6)	3	001-102-140
159	HEX GROMMET - (M10)	2	001-107-540	206	LEVELER	3	DF-101-159
160	STOPPER FOOT	1	A921-54	207	END CAP	2	P771-207
161	END CAP	2	A912-46	208	SCREW - H (M10*P1.5*L130)	4	002-206-082
162	SCREW - M/P (M5*0.8*L12)	4	S972-174	209	WASHER - SP (M10)	4	003-302-008
163	SCREW COVER	1	C570R-59	210	WASHER - F (D16*D10.2*T1.0)	8	003-301-141
164	SCREW - B/H (M4*P0.7*L12)	1	002-205-410	211	NUT - H/N (M10)	4	001-101-030
165	WASHER - F (D12*D4.2 T1.0)	1	003-301-018	212	SUPPORT LEG - SILVER	2	107-150-04C
166	SPACER	1	053-213-082	212	SUPPORT LEG - GREY	2	107-150-04K
166R	WASHER - W (D11*D6.4)	1	003-303-010	213	NUT - H (M10*P1.5*H6)	2	001-102-140
167	O-RING	1	000-076-690	214	LEVELER	2	DF-101-159
168	ADJUSTMENT KNOB BODY	1	087-130-321	215	END CAP	2	P771-207
169	SPRING	1	097-204-010	216	PROTECTIVE COVER - SILVER	2	007-330-400
170	PIN	1	097-251-060	216	PROTECTIVE COVER - GREY	2	007-330-405
171	PIN	1	004-405-051	401	MAIN FRAME ASSEMBLY - SILVER	1	107-391-10C
172	SCREW - B/P (M4*12)	2	002-207-130	401	MAIN FRAME ASSEMBLY - GREY	1	107-391-10K
173	PIN PLATE	1	S972-173	402	TOP COVER ASSEMBLY	1	103-191-200
174	HANDLEBAR CAP	1	C521R-170	403	TOP COVER - RIGHT	1	P711-403
175	RUBBER GRIP	1	S972-178	404	TOP COVER - LEFT	1	P711-404
176	ADJUSTABLE HANDLE - SILVER	1	107-150-05C	405	AXLE	1	DF-103-426
176	ADJUSTABLE HANDLE - GREY	1	107-150-05K	406	BOTTLE HOLDER	1	P711-406
177	SCREW - M/H (M6*P1.0*L15)	4	002-203-023	407	COVER ASSEMBLY	1	107-391-070
178	WASHER - (D19.5*D7*T3.0)	4	103-301-107	408	BRACKET	1	P712-408
179	BEARING	4	000-004-040	409	FRONT COVER	1	P771-409
180	PIN	4	091-013-140	410	BRACKET	2	P711-410
181	SCREW COVER	2	A971-52	411	MAIN FRAME - SILVER	1	107-391-11C
182	SCREW - B/H (M6*P1.0*L15)	2	002-205-614	411	MAIN FRAME - GREY	1	107-391-11K
183	RUBBER CUSHION	2	A971-44	412	BRACKET	5	P712-412
184	WASHER - F (D13*d6*t1.0)	2	003-301-034	413	BRACKET	2	P771-413
185A	PULLEY BRACKET - NEW - SILVER	2	A971-43	414	RUBBER FOOT	2	P711-414
185A	PULLEY BRACKET - NEW - GREY	2	191-050-30K	415	TUBE HARDWARE	2	P711-415
186	AXLE	4	091-013-110	416	WEIGHT STACK PLATE	1	P712-416
187	PULLEY	4	A971-08	417	CABLE BRACKET	1	S972-406
188	WASHER - F (D22*D8.2*T2)	4	003-301-042	418	SET FORK	1	P712-418
189	SCREW - M/H (M8*P1.25*L15)	4	C572R-132	420	SELECTOR FORK - W/CORD	1	A911-50
190A	STRENGTH CABLE - (368.4")	1	P771-190	421	SELECTOR FORK - NO CORD	1	190-591-530
191	RUBBER BALL	2	091-031-631	422	WEIGHT PLATE - 5KG	15	S911-419
192	SCREW - I/H (M4*P0.7*L4)	4	A971-47	423	PLATE STICKER - 5-100KG (GREEN)	1	103-191-230
193	STOPPER	2	S972-059	424	COVER HARDWARE	2	S912-404
194	BALL CONNECTOR	2	091-013-971	425	TOP FRAME - SILVER	1	107-391-25C
195	CARABINEER	2	A918-18	425	TOP FRAME - GREY	1	107-391-25K
196	HANDLE FRAME	2	A971-49	426	AXLE	1	P771-426
197	HANDLE GRIP	2	A971-49	427	AXLE	1	A971-33
198	SCREW - B/H (M8*P1.25*L20)	1	002-205-820	429	GUIDE TUBE PIN	2	P771-429
199	WASHER - F (D26*D8.3*T3)	1	003-301-027	431	PULLEY & BRACKET - GREY	1	107-391-31K
200	O-RING	2	000-076-688	431	PULLEY & BRACKET - SILVER	1	107-391-31C
201	BUSHING	1	091-015-040	432	CABLE TIGHTNER	1	P771-432

BBL	Description	QTY	Part Number	BBL	Description	QTY	Part Number
433	AXLE	1	A971-09				
434	PULLEY BRACKET - SILVER	1	P771-434S				
434	PULLEY BRACKET - GREY	1	P771-434G				
435	GUIDE FRAME	1	107-391-350				
436	GUIDE FRAME ASSEMBLY	1	P771-436				
437	AXLE	4	A971-45				
439	HANDLE & PULLEY - SILVER	1	107-391-39C				
439	HANDLE & PULLEY - GREY	1	107-391-39K				
440	ADJUSTABLE HANDLE - GREY	1	P771-440G				
440	ADJUSTABLE HANDLE - SILVER	1	P771-440S				
441	HANDLE - SILVER	1	107-391-41C				
441	HANDLE - GREY	1	107-391-41K				
442	FIXED PIN	1	S972-437				
443	SEAT POST SHEATH	2	S912-478				
445	PIVOT PIN	4	S972-434				
446	RUBBER CUSHION	2	S973-447				
448	STRENGTH CABLE - (368.4")	1	107-391-480				
449	RUBBER BALL	2	A971-47				
451	HANDLE	2	A971-049B				
453	BASE FRAME - SILVER	1	107-391-53C				
453	BASE FRAME - GREY	1	107-391-53K				
454	HARDWARE SET	4	P771-454				
455	LEVELLER	5	DF-102-028				
467	SUPPORT LEGS - SILVER	1	107-391-67C				
467	SUPPORT LEGS - GREY	1	107-391-67K				
468	SUPPORT LEG - SILVER	2	P773-468G				
468	SUPPORT LEG - GREY	2	107-391-68K				
469	CABLE ASSEMBLY (NEW) - GREY	1	107-191-99K				
469	CABLE ASSEMBLY (NEW) - SILVER	1	107-191-99C				



CHANGE DATE	CHANGE DESCRIPTION	CHANGE NO.	NAME	<p>RESTRICTED USAGE , PLEASE DON'T FORWARD TO ANYONE WHO ISN'T AUTHORIZED</p>	DRAWN BY	UNITS	MM	SALES BLOW UP DIAGRAM	DIAGRAM NO.	GCG-F101B-B	
2014.12.22	B0 纜繩破皮問題設變, (185改185A) (190改190A), 新增 469, 166R	05-20141120M	尤淑芬		VERIFIED BY	QTY	1			P773/P771	
						VERSION	B0	XX		MODEL	
						RATIO	1:15				

P771



CHANGE DATE	CHANGE DESCRIPTION	CHANGE NO.	NAME	<p>RESTRICTED USAGE , PLEASE DON'T FORWARD TO ANYONE WHO ISNT AUTHORIZED</p>	DRAWN BY	UNITS	MM	SALES BLOW UP DIAGRAM	DIAGRAM NO.	GCG-F101C-A
2014.10.27	因P771護板咬花面需不同方向, 新增 468 469 號件		黃永業		VERIFIED BY	QTY	1			MODEL
					VERSION	A1				
					RATIO	1:10				