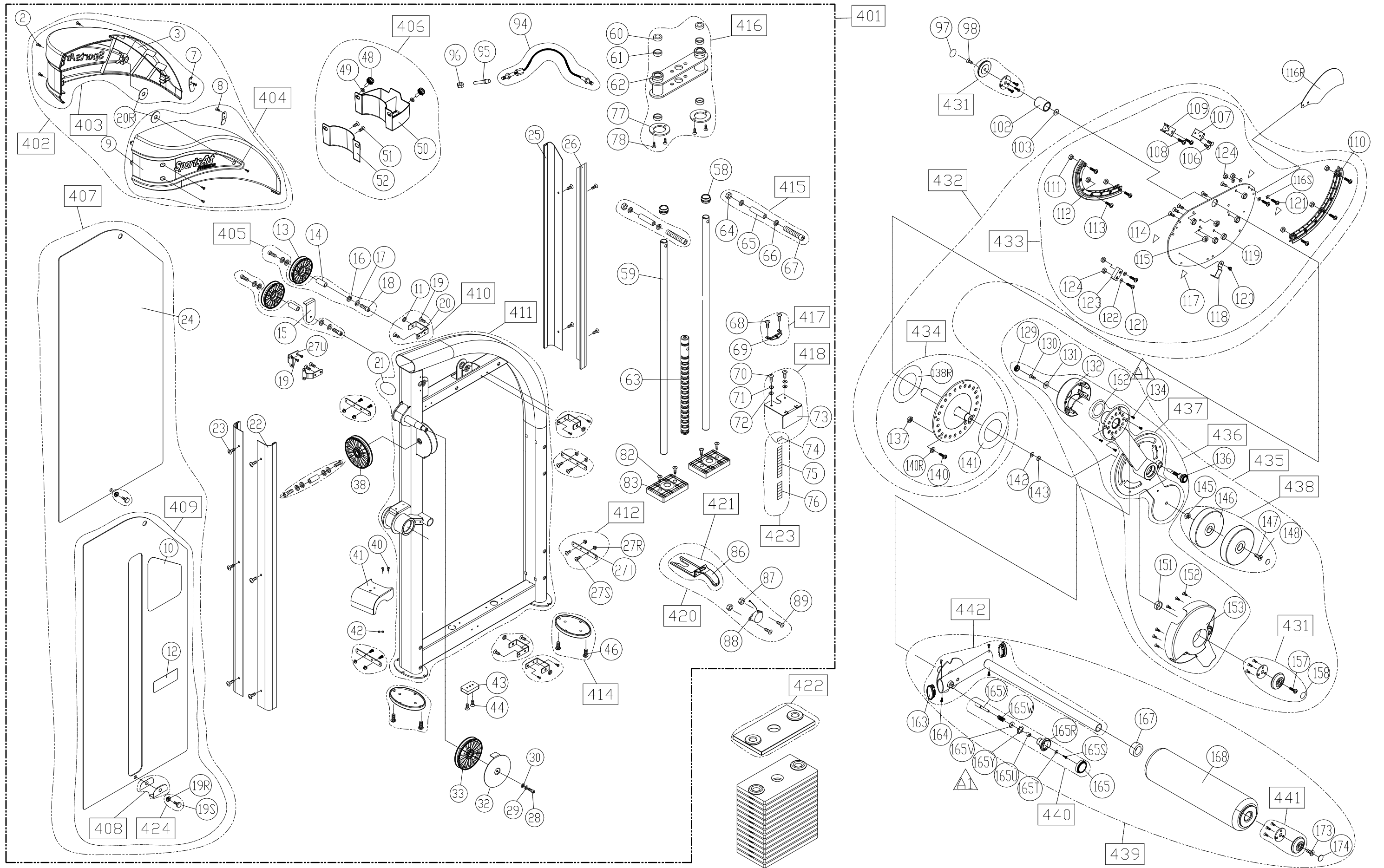


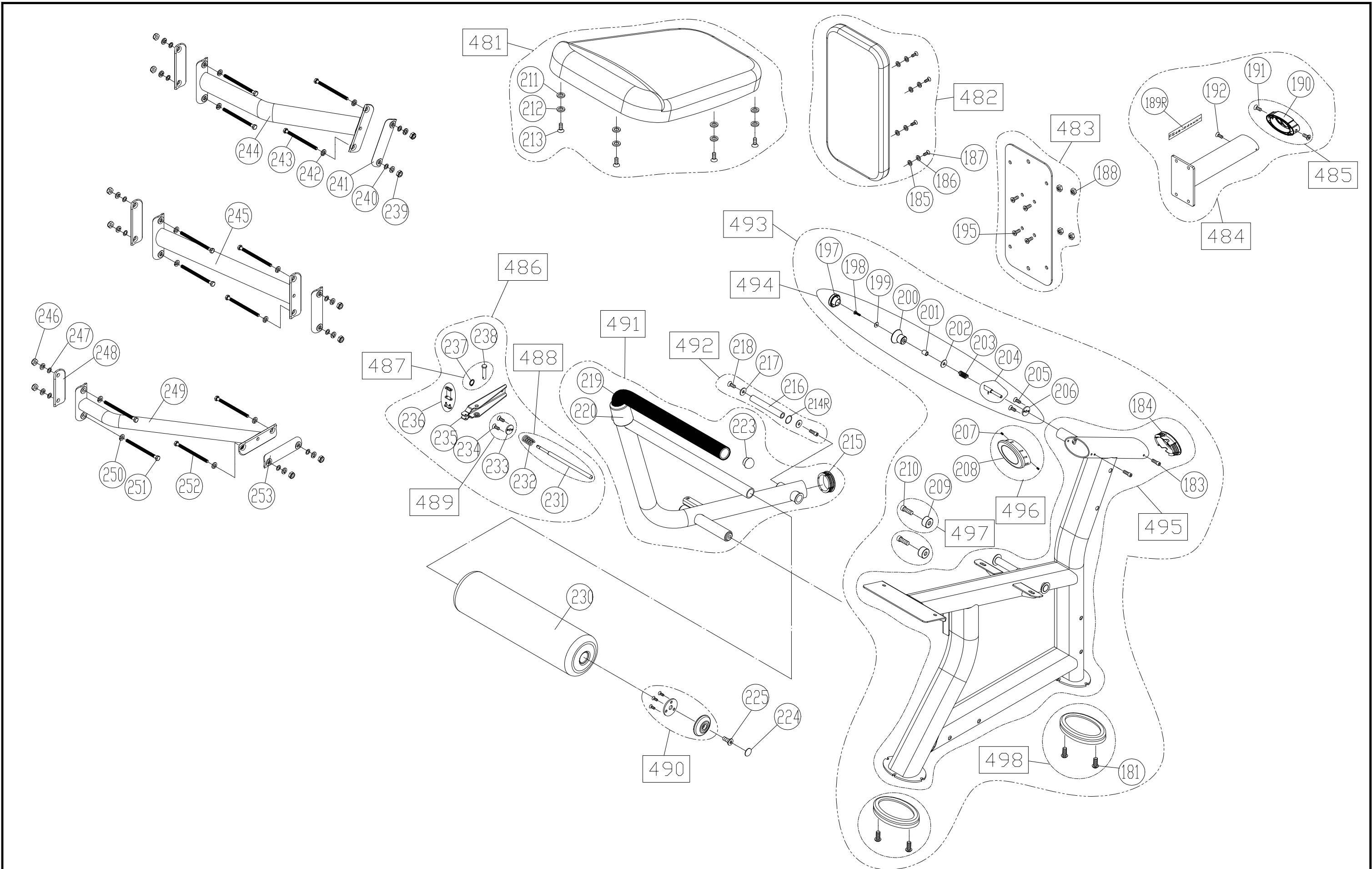
BBL	Description	QTY	Part Number	BBL	Description	QTY	Part Number
001	OWNER'S MANUAL	1	P759-001	052	BRACKET	1	090-530-520
002	SCREW - P (M6*P1.0*L12)	6	002-211-282	058	BUSHING	2	A911-36
003	TOP COVER - RIGHT	1	P711-003	059	STACK GUIDE TUBE	2	P712-059
007	BRACKET	2	105-710-150	060	CUSHION RING	2	A911-37
008	SCREW - M/P (M4*L12)	2	002-210-003	061	GUIDE RING	4	A911-38
009	TOP COVER - LEFT	1	P711-009	062	UPPER COUNTERWEIGHT	1	S915-029
010	STICKER - USAGE	1	P759-010	063	16-POSITION TUBE	1	P712-063
011	SINGLE-SIDED TAPE	4	000-065-350	064	NUT - H/N (M8)	2	001-101-080
012	STICKER - WARNING	1	DF-101-008	065	AXLE	2	005-730-010
013	PULLEY	2	A971-08	066	WASHER - F (D17*D8.3*T2)	4	003-301-038
014	AXLE	2	DF-100-032	067	SCREW - H (M8*P1.25*L65)	2	002-206-068
015	PULLEY BRACKET	1	P712-015	068	SCREW - B/H (M5*P0.8*L10)	2	002-205-510
016	WASHER - F (D20*D6.3*T1.5)	4	003-301-043	069	CABLE BRACKET	1	A911-055
017	WASHER - SP (M6)	4	003-302-011	070	SCREW -B/H (M8*P1.25*L18)	2	002-205-813
018	SCREW - M/H (M6*P1.0*L12)	4	002-203-027	071	WASHER - SP (M8*T2.0)	2	003-302-006
019	SCREW - M/H (M6*P1.0*L12)	12	002-203-027	072	WASHER - F (D17*D8*T1.5)	2	003-301-024
019R	COVER WASHER - (D21.5*10.5)	2	DF-101-030A	073	1-PLATE BRACKET	1	196-010-16L
019S	COVER SCREW - (M6*P1.0*20)	2	002-213-035	074	PLATE STICKER - 5KG (GREEN)	1	S912-047
020	BRACKET	4	105-710-210	075	PLATE STICKER - 10-60KG (GREEN)	1	S911-048
020R	FOAM RING	2	005-757-720	076	PLATE STICKER - 65-100KG (GREEN)	1	S911-049
021	STICKER - WARNING	1	DF-101-020D	077	GUIDE RING	2	P711-077
022	COVER FRAME - GREY	2	P712-022G	078	SCREW - B/P (M5*L12)	4	002-207-140
022	COVER FRAME - SILVER	2	P712-022S	082	SCREW - B/H (M6*P1.0*L15)	4	002-205-613
023	SCREW - M/P (M5*0.8*L8)	10	002-209-137	083	WEIGHT STACK CUSHION	2	P711-083
024	REAR COVER	1	P712-024	086	SELECTOR FORK - NO CORD	1	190-553-052
025	COVER FRAME - SILVER	1	P712-025S	087	NUT - H (M4*P0.7)	4	001-102-090
025	COVER FRAME - GREY	1	P712-025G	088	RETRACTING CABLE	1	DF-100-021
026	COVER FRAME - GREY	1	P712-026G	089	SCREW - P (M4*P0.7*L25)	2	002-211-080
026	COVER FRAME - SILVER	1	P712-026S	094	STRENGTH CABLE - (88")	1	P732-094
027R	SCREW INSERT	8	000-076-820	095	AXLE	1	DF-101-122
027S	SCREW - M/P (M5*L15)	8	002-210-034	096	NUT - H (M10)	1	001-102-141
027T	BRACKET	4	105-710-182	097	STICKER - ROUND	1	E850-177
027U	BRACKET	2	P717-027U	098	SCREW - B/H (M8*P1.25*L20)	1	002-205-820
028	SCREW - M/H (M6*P1.0*L12)	1	002-203-027	102	BUSHING	1	P731-102
029	WASHER - SP (M6)	1	003-302-011	103	WASHER - W (D38*D30)	1	003-303-006
030	WASHER - F (D20*D6.3*T1.5)	1	003-301-043	106	SCREW - P (M5*P0.8*L12)	2	002-211-255
032	PULLEY COVER - SILVER	1	P712-032S	107	RUBBER BLOCK	1	E83-89
032	PULLEY COVER - GREY	1	P712-032G	108	SCREW - B/H (M8*P1.25*L20)	2	002-220-821
033	PULLEY	1	A971-08	109	STOPPER	1	P712-109
038	PULLEY	1	A971-08	110	CAM PLASTIC	1	DF-100-062
040	SCREW - M/H (M6*P1.0*L15)	2	002-203-023	111	NUT - H/N (M5*P0.8)	6	001-101-060
041	SMALL COVER - GREY	1	P712-041G	112	CAM PLASTIC	1	DF-100-063
041	SMALL COVER - SILVER	1	P712-041S	113	SCREW - M/H (M5*L16)	6	002-203-052
042	BUSHING	2	DF-103-091	114	SCREW - B/H (M8*P1.25*L20)	5	002-220-821
043	RUBBER CUSHION	1	A951-84	115	NUT - H/N (M8)	2	001-101-080
044	SCREW - P (M5*P0.8*L12)	2	002-211-255	116R	FINGER GUARD	1	P731-116R
046	PASTIC RIVET	4	000-076-990	116S	WASHER - F (D16*D6.3*T2)	4	003-301-062
048	SCREW - M/H (M6*P1.0*L12)	2	002-203-027	117	STICKER - WARNING	4	082-063-030
049	WASHER - F (D20*D6.3*T1.5)	2	003-301-043	118	BRACKET	1	P712-118
050	BOTTLE HOLDER	1	090-530-500	119	SPACER	5	P758-119
051	SCREW - M/H (M5*L20)	2	002-203-051	120	SCREW - M/H (M6*P1.0*L10)	1	002-220-612

BBL	Description	QTY	Part Number	BBL	Description	QTY	Part Number
121	SCREW - M/H (M6*P1.0*L20)	4	T645-566	187	SCREW - M/H (M8*P1.25*L25)	4	002-203-061
122	WASHER - SP (M6*T1.5)	2	003-302-002	188	NUT - H/N (M8)	4	001-101-080
123	CABLE BLOCK	1	DF-100-067	189R	STICKER - POSITION	1	DF-103-208
124	NUT - H/N (M6*P1.0*6)	4	001-101-071	190	SEAT POST COLLAR	1	C570U-97
129	SCREW COVER	1	C570R-59	191	SCREW - B/H (M5*P0.8*L10)	2	002-205-510
130	SCREW - B/H (M8*P1.25*L20)	1	002-205-820	192	SCREW - B/H (M5*P0.8*L10)	1	002-205-510
131	WASHER - (D36*D8.5*T3.0)	1	103-301-154	195	SCREW - B/H (M8*P1.25*L20)	4	002-202-040
132	ROTATING ARM COVER - SILVER	1	A923-100	197	ADJUSTMENT KNOB CAP	1	092-130-060
132	ROTATING ARM COVER - GREY	1	090-830-103	198	SCREW - P (M4*P0.7*L14)	1	002-211-067
134	SCREW - B/H (M4*L12)	4	002-208-050	199	WASHER - F (D12*D4.2 T1.0)	1	003-301-018
136	ADJUSTMENT KNOB	1	A911-28	200	ADJUSTMENT KNOB	1	092-130-071
137	NUT - H (M10*P1.5*H6)	1	001-102-140	201	SPACER	1	053-213-082
138R	STICKER - ADJUSTMENT	1	P731-138R	201R	WASHER - W (D11*D6.4)	1	003-303-010
140	SCREW - B/H (M10*P1.5*L12)	1	102-230-012	202	O-RING	1	000-076-690
140R	WASHER - SP (M10)	1	003-302-008	203	SPRING	1	DF-101-135
141	STICKER - ROTATOR	1	S961-252	204	PIN	1	053-251-024
142	WASHER - W (D38*D30)	1	003-303-006	205	SCREW - B/P (M4*12)	2	002-207-130
143	WASHER - F (D40*D30.5*T1.0)	1	190-810-040	206	STOPPER PLATE	1	153-210-330
145	NUT - H/N (M10)	1	001-101-030	207	SCREW - M/H (M4*P0.7*L8)	2	002-209-143
146	WEIGHT PLATE - 4KG	2	DF-108-099	208	TUBE SHEATH	1	DF-100-094
147	SCREW - H (M10*P1.5*L65)	1	002-206-079	209	STOPPER	2	DF-100-095
148	STICKER - ROUND	1	P731-148	210	SCREW - B/H (M8*P1.25*L12)	2	002-230-810
150	SNAP RING - (RTW-47)	1	004-401-028	211	WASHER - F (D22*D8.2*T2)	4	003-301-042
151	BUSHING	1	A923-98	212	WASHER - SP (M8)	4	003-302-010
152	SCREW - B/H (M4*L12)	6	002-208-050	213	SCREW - M/H (M8*P1.25*L25)	4	002-203-061
153	ROTATING ARM COVER - SILVER	1	DF-100-078	214	BUSHING	4	A956-97
153	ROTATING ARM COVER - GREY	1	090-830-093	214R	WASHER - (D29*D19*T1.0)	1	003-307-002
157	SCREW - B/H (M8*P1.25*L20)	1	002-205-820	215	GLIDE RAIL ENDCAP	1	E875-447
158	STICKER - ROUND	1	E875-507	216	AXLE	1	096-013-330
162	STICKER - ROTATOR	1	090-663-031	217	WASHER - F (D26*D8.5*T2)	2	003-301-033
163	END CAP	2	S912-183	218	SCREW - B/H (M8*P1.25*L15)	2	002-205-812
164	SCREW - M/P (M4*L12)	4	002-210-012	219	RUBBER GRIP	1	000-033-098
165	CAP	1	DF-100-080	220	RUBBER COVER	1	A915-50
165R	KNOB LOWER COVER	1	090-930-104	222	CAP	1	C575U-436
165S	SCREW - P (M4*P0.7*L15)	1	T655-467	223	HANDLEBAR CAP	1	C521R-170
165T	WASHER - F (D12*D4.2 T1.0)	1	003-301-018	224	STICKER - ROUND	1	E850-177
165U	SPACER	1	053-213-082	225	SCREW - B/H (M8*P1.25*L30)	1	002-205-831
165V	O-RING	1	000-076-690	230	CYLINDRICAL CUSHION - BLACK	1	S931-253B
165W	SPRING	1	DF-101-135	230	CYLINDRICAL CUSHION - ORANGE	1	S931-253
165X	PIN	1	005-713-270	231	PIN	1	095-013-370
165Y	WASHER - W (D11*D6.4)	1	003-303-010	232	SPRING	1	096-004-020
167	RUBBER GRIP	1	S956-284	233	METAL STOPPER	1	DF-100-102
168	CYLINDRICAL CUSHION - BLACK	1	S931-253B	234	SCREW - M/P (M5*P0.8*L8)	2	E850-219A
168	CYLINDRICAL CUSHION - ORANGE	1	S931-253	235	LEVER	1	DF-100-103
173	SCREW - B/H (M8*P1.25*L30)	1	002-205-831	236	CONNECTOR	1	A93-227
174	STICKER - ROUND	1	E850-177	237	SNAP RING - (7MM)	1	004-402-011
181	PASTIC RIVET	4	000-076-990	238	PIN	1	004-404-021
183	SCREW - M/H (M6*P1.0*L8)	2	002-203-022	239	NUT - H/N (M10)	8	001-101-030
184	END CAP	1	A991-09	240	WASHER - F (D16*D10.2*T1.0)	16	003-301-141
185	WASHER - F (D22*D8.2*T2)	4	003-301-042	241	CONNECTOR PLATE - GREY	4	P711-192G
186	WASHER - SP (M8)	4	003-302-010	241	CONNECTOR PLATE - SILVER	4	P711-192S

BBL	Description	QTY	Part Number	BBL	Description	QTY	Part Number
242	WASHER - SP (M10)	8	003-302-008	438	COUNTERWEIGHT	1	P731-438
243	SCREW - H (M10*P1.5*L130)	8	002-206-082	439	LEG PRESS ASSEMBLY - SILVER	1	105-891-39C
244	FRAME CONNECTOR - GREY	1	P757-244G	439	LEG PRESS ASSEMBLY - GREY	1	105-891-39K
244	FRAME CONNECTOR - SILVER	1	P757-244S	440	ADJUSTMENT KNOB	1	P731-440
245	FRAME CONNECTOR - SILVER	1	P757-245S	441	END CAP - SILVER	1	A917-50
245	FRAME CONNECTOR - GREY	1	P757-245G	441	END CAP - GREY	1	190510168
246	NUT - H/N (M10)	4	001-101-030	442	LEG PRESS FRAME - GREY	1	P759-442G
247	WASHER - F (D16*D10.2*T1.0)	8	003-301-141	442	LEG PRESS FRAME - SILVER	1	P759-442S
248	CONNECTOR PLATE - GREY	1	P715-154G	481	SEAT CUSHION - ORANGE	1	P757-481
248	CONNECTOR PLATE - SILVER	1	P715-154S	481	SEAT CUSHION - BLACK	1	P757-481B
249	FRAME CONNECTOR - SILVER	1	P757-249S	482	BACK CUSHION - ORANGE	1	DF-100-092
249	FRAME CONNECTOR - GREY	1	P757-249G	482	BACK CUSHION - BLACK	1	DF-100-092B
250	WASHER - SP (M10)	4	003-302-008	483	BACK CUSHION FRAME - GREY	1	P757-483G
251	SCREW - H (M10*P1.5*L130)	4	002-206-082	483	BACK CUSHION FRAME - SILVER	1	P757-483S
253	CONNECTOR PLATE - GREY	1	P711-192G	484	SEAT POST	1	P715-492
253	CONNECTOR PLATE - SILVER	1	P711-192S	485	SEAT SLEAVE	1	P712-488
401	MAIN FRAME ASSEMBLY - SILVER	1	105-891-10C	486	ADJUSTMENT LEVER	1	P759-486
401	MAIN FRAME ASSEMBLY - GREY	1	105-891-10K	487	PIN	1	S959-486
402	TOP COVER ASSEMBLY	1	103-191-200	488	PIN	1	105-891-880
403	TOP COVER - RIGHT	1	P711-403	489	HARDWARE SET	1	S959-488
404	TOP COVER - LEFT	1	P711-404	490	END CAP - GREY	1	190510168
405	AXLE	3	DF-103-426	490	END CAP - SILVER	1	A917-50
406	BOTTLE HOLDER	1	P711-406	491	HANDLEBAR - GREY	1	P759-491G
407	COVER ASSEMBLY	1	105-891-070	491	HANDLEBAR - SILVER	1	P759-491S
408	BRACKET	1	P712-408	492	AXLE	1	P759-492
409	FRONT COVER	1	P759-409	493	SEAT FRAME - GREY	1	105-891-93K
410	BRACKET	4	P711-410	493	SEAT FRAME - SILVER	1	105-891-93C
411	MAIN FRAME - SILVER	1	105-991-11C	494	ADJUSTMENT KNOB	1	DF-100-088
411	MAIN FRAME - GREY	1	105-991-11K	495	SEAT FRAME - SILVER	1	105-891-95C
412	BRACKET	4	P712-412	495	SEAT FRAME - GREY	1	105-891-95K
414	RUBBER FOOT	2	P711-414	496	COLLAR	1	A991-12
415	TUBE HARDWARE	2	P711-415	497	HARDWARE SET	2	S959-491
416	WEIGHT STACK PLATE	1	P712-416	498	RUBBER FOOT	2	P711-414
417	CABLE BRACKET	1	S972-406				
418	SET FORK	1	P712-418				
420	SELECTOR FORK - W/CORD	1	A911-50				
421	SELECTOR FORK - NO CORD	1	190-591-530				
422	WEIGHT PLATE - 5KG	15	S911-419				
423	PLATE STICKER - 5-100KG (GREEN)	1	103-191-230				
424	COVER HARDWARE	2	S912-404				
431	END CAP - SILVER	2	103-191-361				
431	END CAP - GREY	2	S915-479				
432	CAM ASSEMBLY	1	105-791-320				
433	CAM	1	P731-433				
434	ROTATOR SPINDLE	1	P757-434				
435	ROTATOR ASSEMBLY - GREY	1	105-891-35C				
435	ROTATOR ASSEMBLY - SILVER	1	105-891-35K				
436	ROTATOR ARM - SILVER	1	105-891-36C				
436	ROTATOR ARM - GREY	1	105-891-36K				
437	ROTATOR ARM - SILVER	1	P759-437S				
437	ROTATOR ARM - GREY	1	P759-437G				



CHANGE DATE	CHANGE DESCRIPTION	CHANGE NO.	NAME	 RESTRICTED USAGE , PLEASE DON'T FORWARD TO ANYONE WHO ISN'T AUTHORIZED	DRAWN BY	UNITS	MM	SALES BLOW UP DIAGRAM	DIAGRAM NO.	GCE-F101B-A	
2014.12.16	⚠️ ①62 從 442 移至 437 ; 新增 ①65Y		黃永業		VERIFIED BY	QTY	1				P759
						VERSION	A1			MODEL	
						RATIO	1/13				



CHANGE DATE	CHANGE DESCRIPTION	CHANGE NO.	NAME	 RESTRICTED USAGE , PLEASE DON'T FORWARD TO ANYONE WHO ISN'T AUTHORIZED	DRAWN BY	UNITS	MM	SALES BLOW UP DIAGRAM	DIAGRAM NO.	GCE-F101C-A	
					VERIFIED BY	QTY	1				P759
						VERSION	A0			MODEL	
						RATIO	1/10				