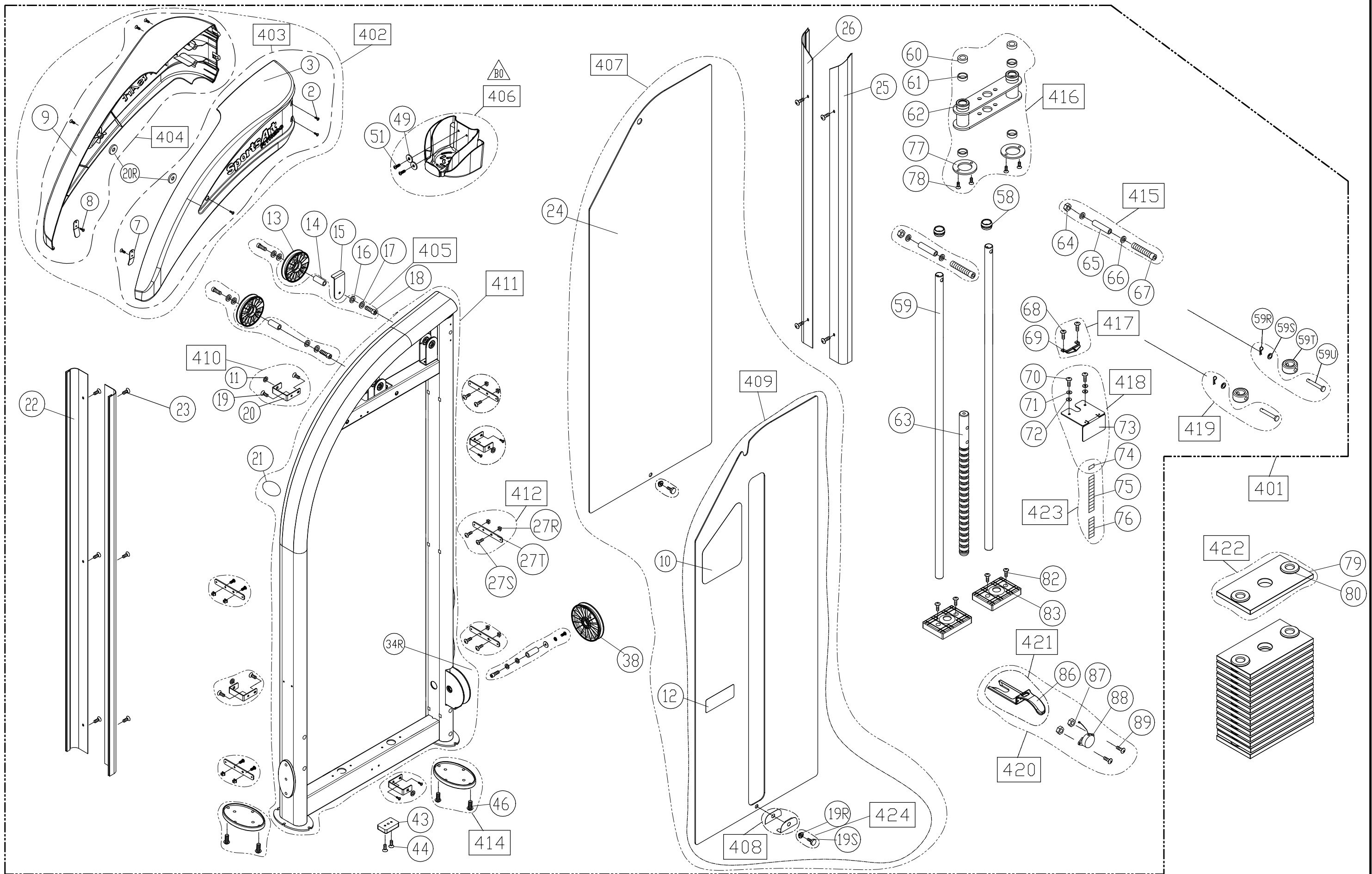


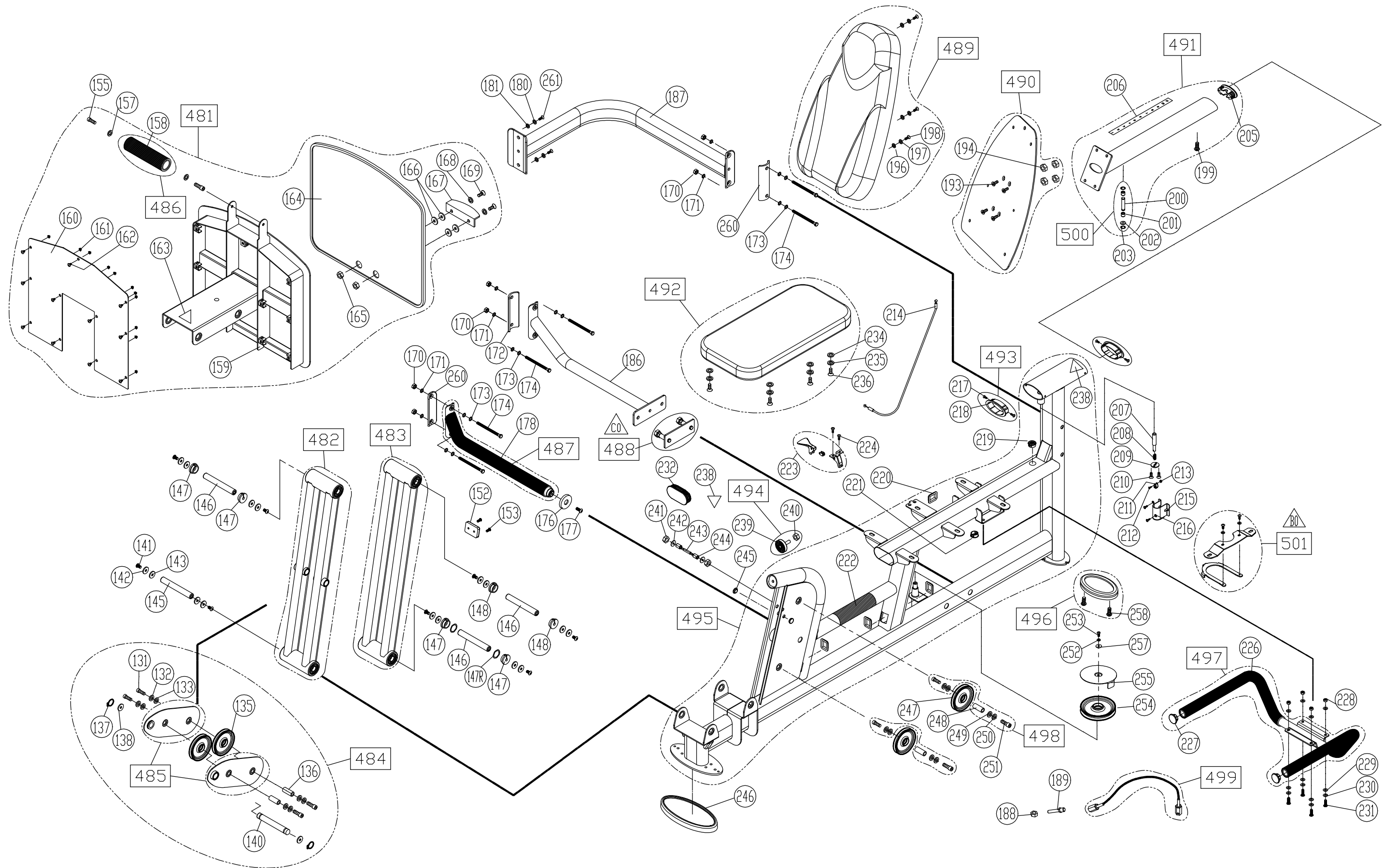
BBL	Description	QTY	Part Number	BBL	Description	QTY	Part Number
001	OWNER'S MANUAL	1	P756-001	066	WASHER - F (D17*D8.3*T2)	4	003-301-038
002	SCREW - P (M6*P1.0*L12)	6	002-211-282	067	SCREW - H (M8*P1.25*L65)	2	002-206-068
003	TOP COVER - RIGHT	1	P711-003	068	SCREW - B/H (M5*P0.8*L10)	2	002-205-510
007	BRACKET	2	105-710-150	069	CABLE BRACKET	1	A911-055
008	SCREW - M/P (M4*L12)	2	002-210-003	070	SCREW -B/H (M8*P1.25*L18)	2	002-205-813
009	TOP COVER - LEFT	1	P711-009	071	WASHER - SP (M8*T2.0)	2	003-302-006
010	STICKER - USAGE	1	P756-010	072	WASHER - F (D17*D8*T1.5)	2	003-301-024
011	SINGLE-SIDED TAPE	4	000-065-350	073	1-PLATE BRACKET	1	196-010-16L
012	STICKER - WARNING	1	DF-101-008	074	PLATE STICKER - 5KG (GREEN)	1	S912-047
013	PULLEY	2	A971-08	075	PLATE STICKER - 10-60KG (GREEN)	1	S911-048
014	AXLE	2	DF-100-032	076	PLATE STICKER - 65-100KG (GREEN)	1	S911-049
015	PULLEY BRACKET	1	P712-015	077	GUIDE RING	2	P711-077
016	WASHER - F (D20*D6.3*T1.5)	4	003-301-043	078	SCREW - B/P (M5*L12)	4	002-207-140
017	WASHER - SP (M6)	4	003-302-011	082	SCREW - B/H (M6*P1.0*L15)	4	002-205-613
018	SCREW - M/H (M6*P1.0*L12)	4	002-203-027	083	WEIGHT STACK CUSHION	2	P711-083
019	SCREW - M/H (M6*P1.0*L12)	8	002-203-027	086	SELECTOR FORK - NO CORD	1	190-553-052
019R	COVER WASHER - (D21.5*10.5)	2	DF-101-030A	087	NUT - H (M4*P0.7)	2	001-102-090
019S	SCREW - P (M6*P1.0*L20)	2	002-213-035	088	RETRACTING CABLE	1	DF-100-021
020	BRACKET	4	105-710-210	089	SCREW - P (M4*P0.7*L25)	2	002-211-080
020R	FOAM RING	2	005-757-720	131	SCREW - M/H (M6*P1.0*L12)	4	002-203-027
021	STICKER - WARNING	1	DF-101-020D	132	WASHER - SP (M6)	4	003-302-011
022	COVER FRAME - GREY	2	P711-022G	133	WASHER - F (D20*D6.3*T1.5)	4	003-301-043
023	SCREW - M/P (M5*0.8*L8)	10	002-209-137	135	PULLEY	2	A971-08
024	REAR COVER	1	P722-024	136	AXLE	2	DF-100-032
025	COVER FRAME - GREY	1	P722-025G	137	SNAP RING - (STW-20)	2	004-401-006
026	COVER FRAME - GREY	1	P711-026G	138	WASHER - (D31*D20.2*T2.0)	2	103-301-159
027R	SCREW INSERT	10	000-076-820	140	AXLE	1	DF-101-086
027S	SCREW - M/P (M5*L15)	10	002-210-035	141	SCREW - B/H (M8*P1.25*L20)	8	002-205-820
027T	BRACKET	5	105-710-182	142	WASHER - SP (M8)	8	003-302-010
034R	TWIST TIE	1	100-076-201	143	WASHER - F (D26*D8.3*T3)	8	003-301-027
038	PULLEY	1	A971-08	145	AXLE	1	A981-11
043	RUBBER CUSHION	1	A951-84	146	AXLE	3	DF-101-091A
044	SCREW - P (M5*P0.8*L12)	2	002-211-255	147	BUSHING	4	DF-101-091B
046	PASTIC RIVET	4	000-076-990	148	BUSHING	2	DF-101-091C
048	SCREW - M/H (M6*P1.0*L12)	2	002-203-027	152	RUBBER CUSHION	1	A951-84
049	WASHER - F (D20*D6.3*T1.5)	2	003-301-043	153	SCREW - P (M5*P0.8*L12)	2	002-211-255
050	BOTTLE HOLDER (NEW STYLE)	1	090-530-500	155	SCREW - M/H (M8*P1.25*L25)	2	002-203-061
051	SCREW - M/H (M5*L20)	2	002-203-051	157	WASHER - SP (M8)	2	003-302-010
052	BRACKET	1	090-530-520	158	RUBBER GRIP	1	000-033-171
058	BUSHING	2	A911-36	159	FOOT PRESS FRAME - GREY	1	197-050-08K
059	STACK GUIDE TUBE	2	P756-059	160	PRESS FRAME COVER	1	DF-101-098A
059R	COTTER PIN	2	004-405-031	161	SCREW INSERT	11	000-076-820
059S	WASHER - R (D20*D11.1*T2)	2	003-308-011	162	SCREW - M/P (M5*L10)	11	002-210-034
059T	STOPPER	2	A926-26	163	STICKER - WARNING	1	082-063-030
059U	PIN	2	004-404-014	164	FOOT PLATE REAR COVER	1	DF-101-099
060	CUSHION RING	2	A911-37	165	NUT - H (M8*P1.25)	2	001-101-081
061	GUIDE RING	4	A911-38	166	WASHER - F (D17*D8*T1.5)	4	003-301-055
062	WEIGHT STACK PLATE	1	P711-062	167	BRACKET	1	DF-101-099D
063	16-POSITION TUBE	1	P756-063	168	WASHER - SP (M8*T2.0)	2	003-302-006
064	NUT - H/N (M8)	2	001-101-080	169	SCREW - B/H (M8*P1.25*L25)	2	002-205-822
065	AXLE	2	005-730-010	170	NUT - H/N (M10)	6	001-101-030

BBL	Description	QTY	Part Number	BBL	Description	QTY	Part Number
171	WASHER - F (D16*D10.2*T1.0)	12	003-301-141	229	WASHER - F (D17*D8.3*T2)	8	003-301-038
172	CONNECTOR PLATE - GREY	1	P715-154G	230	WASHER - SP (M8)	4	003-302-010
173	WASHER - SP (M10)	6	003-302-008	231	SCREW - M/H (M8*P1.25*L25)	4	002-203-061
174	SCREW - H (M10*P1.5*L130)	6	002-206-082	232	END CAP	1	DF-102-027
174R	WASHER - W (D33*D26)	2	003-303-004	234	WASHER - F (D22*D8.2*T2)	4	003-301-042
176	WASHER - (D44*D10.5*T3.0)	1	A983-01	235	WASHER - SP (M8)	4	003-302-010
177	SCREW - M/H (M10*P1.5*L25)	1	002-203-072	236	SCREW - M/H (M8*P1.25*L25)	4	002-203-061
178	RUBBER GRIP	1	P756-178	238	STICKER - WARNING	2	082-063-030
179	SCREW - H (M10*P1.5*L75)	2	002-206-081	239	LEVELER	1	DF-101-159
180	WASHER - SP (M10)	4	003-302-008	241	NUT - H/N (M5*P0.8)	2	001-101-070
181	WASHER - F (D16*D10.2*T1.0)	6	003-301-141	242	WASHER - F (D20*D6.3*T1.5)	2	003-301-043
182	CONNECTOR - GREY	1	P756-182G	243	AXLE	1	DF-101-162
184	NUT - H (M10)	2	001-102-141	244	BUSHING	2	DF-101-130B
185	NUT - H/N (M10)	2	001-101-030	245	CAP	2	DF-100-039
186	FRAME CONNECTOR - GREY	1	P756-186G	246	RUBBER PAD	1	A911-53
187	FRAME CONNECTOR - GREY	1	P756-187G	247	PULLEY	2	A971-08
188	NUT - H (M10)	1	001-102-141	248	AXLE	2	DF-100-032
189	AXLE	1	DF-101-122	249	WASHER - F (D20*D6.3*T1.5)	4	003-301-043
193	SCREW - B/H (M8*P1.25*L20)	4	002-202-040	250	WASHER - SP (M6)	4	003-302-011
194	NUT - H/N (M8)	4	001-101-080	251	SCREW - M/H (M6*P1.0*L12)	4	002-203-027
196	WASHER - F (D22*D8.2*T2)	4	003-301-042	252	WASHER - SP (M6)	1	003-302-011
197	WASHER - SP (M8)	4	003-302-010	253	SCREW - M/H (M6*P1.0*L12)	1	002-203-027
198	SCREW - M/H (M8*P1.25*L25)	4	002-203-061	254	PULLEY	1	A971-08
199	SCREW - B/H (M6*P1.0*L10)	1	002-205-610	255	PULLEY COVER - GREY	1	P712-032G
200	PIN	1	A981-20	257	WASHER - F (D20*D6.3*T1.5)	1	003-301-043
201	BUSHING	2	DF-101-130B	258	PASTIC RIVET	2	000-076-990
202	WASHER - (D13*D8.2*T1.0)	1	003-301-119	260	CONNECTOR PLATE - GREY	2	P711-192G
203	SNAP RING - (6MM)	2	004-402-012	261	SCREW - H (M10*P1.5*L30)	2	002-206-084
205	END CAP	1	S912-183	401	MAIN FRAME ASSEMBLY - GREY	1	105-691-10K
206	STICKER - SEAT ADJUSTMENT	1	DF-101-133	402	TOP COVER ASSEMBLY	1	103-191-200
207	AXLE	1	DF-101-134	403	TOP COVER - RIGHT	1	P711-403
208	SPRING	1	DF-101-135	404	TOP COVER - LEFT	1	P711-404
209	METAL STOPPER	1	DF-100-102	405	AXLE	3	DF-103-426
210	SCREW - P (M5*0.8*L12)	4	002-211-094	406	BOTTLE HOLDER	1	P711-406
211	WIRE CLIP	1	DF-101-137A	407	COVER ASSEMBLY	1	105-691-070
212	SCREW - P (M3*P0.5*L16)	1	002-211-205	408	BRACKET	1	P712-408
213	NUT - H (M3*0.5)	1	001-101-040	409	FRONT COVER	1	P756-409
214	CONNECTING WIRE	1	DF-101-137D	410	BRACKET	4	P711-410
215	SMALL FRAME - GREY	1	P756-215G	411	MAIN FRAME - GREY	1	105-691-11K
216	WASHER - F (D11.3*D5.1*T1.0)	2	003-301-068	412	BRACKET	5	P712-412
217	SCREW - M/H (M4*P0.7*L8)	4	002-209-143	414	RUBBER FOOT	2	P711-414
218	TUBE SHEATH	2	DF-100-094	415	TUBE HARDWARE	2	P711-415
219	PLUG	1	DF-101-140	416	WEIGHT STACK PLATE	1	P711-416
220	PLUG	4	DF-101-141	417	CABLE BRACKET	1	S972-406
221	PLUG	1	DF-101-142	418	SET FORK	1	P712-418
222	PVC COVER - GREY	1	099-930-012	419	PIN	2	A911-44
223	ADJUSTMENT HANDLE	1	DF-101-144	420	SELECTOR FORK - W/CORD	1	A911-50
224	SCREW - B (M5*P0.8*L8)	2	002-202-054	421	SELECTOR FORK - NO CORD	1	190-591-530
226	RUBBER GRIP	2	S926-164	422	WEIGHT PLATE - 5KG	15	S911-419
227	END CAP	2	DF-102-073	423	PLATE STICKER - 5-100KG (GREEN)	1	103-191-230
228	NUT - H/N (M8)	4	001-101-080	424	COVER HARDWARE	2	S912-404

BBL	Description	QTY	Part Number	BBL	Description	QTY	Part Number
481	FOOT PRESS - GREY	1	P756-481G				
482	ROCKER FRAME - GREY	1	197-091-08K				
483	ROCKER FRAME - GREY	1	P756-483G				
484	PULLEY ASSEMBLY - GREY	1	197-091-11K				
485	PULLEY BRACKET - GREY	2	P756-485G				
486	RUBBER GRIP	1	DF-101-415				
487	CONNECTOR ARM - GREY	1	197-091-07K				
488	CONNECTOR PLATE - GREY	1	P712-482G				
489	BACK CUSHION - BLACK	1	P756-489B				
490	CUSHION FRAME - GREY	1	P756-490G				
491	SEAT POST	1	P756-491				
492	BOTTOM CUSHION - BLACK	1	A93-202B				
493	COLLAR	2	A991-12				
494	LEVELER	1	P755-489				
495	MAIN FRAME - GREY	1	105-691-95K				
496	RUBBER FOOT	1	P711-414				
497	HANDLEBAR - GREY	1	197-091-14K				
498	AXLE	2	DF-103-426				
499	STRENGTH CABLE	1	P756-499				
500	AXLE	1	196-391-030				



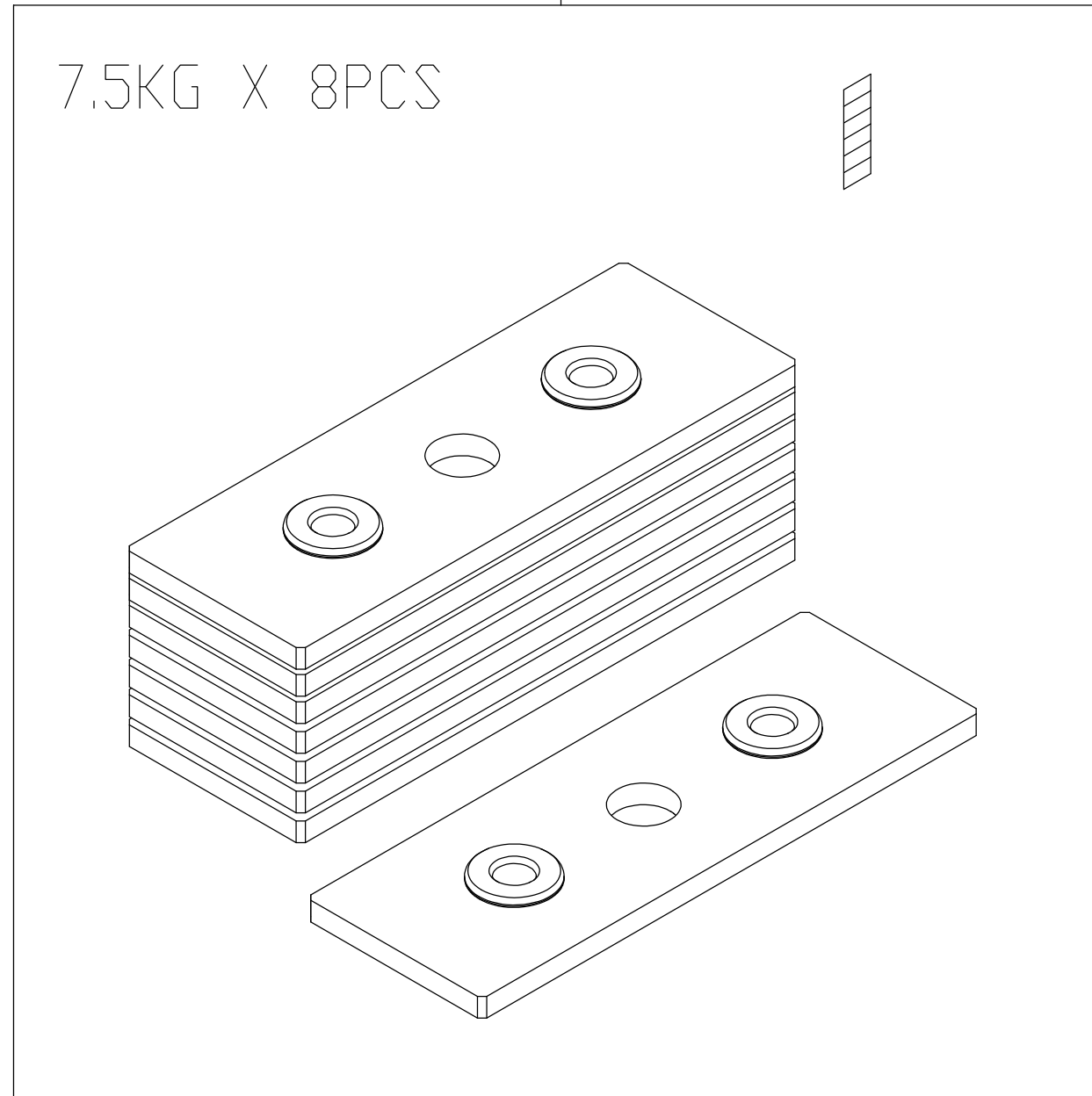
CHANGE DATE	CHANGE DESCRIPTION	CHANGE NO.	NAME	SPORTSART FITNESS	DRAWN BY	UNITS	MM	SALES BLOW UP DIAGRAM	DIAGRAM NO.	MODEL
2016.01.29	△B0 406 水壺架組修改造型, 取消(48)(50)(52), (49)(51)變更料件	05-20150906M	蔡鴻興	RESTRICTED USAGE , PLEASE DON'T FORWARD TO ANYONE WHO ISN'T AUTHORIZED	VERIFIED BY	QTY	1			GCY-F101B-B P756
						VERSION	B0			
						RATIO	1/11			



CHANGE DATE	CHANGE DESCRIPTION	CHANGE NO.	NAME	 RESTRICTED USAGE , PLEASE DON'T FORWARD TO ANYONE WHO ISN'T AUTHORIZED	DRAWN BY	UNITS	MM	SALES BLOW UP DIAGRAM	DIAGRAM NO.	GCY-F101C-C0	
2015.12.09	 增加機台固定性, 故新增 	05-20151205M	鄭宜峰			QTY	1				P756/DF-201 
2016.04.01	 新增適用機台DF-201		林士文			VERSION	C0	XX		MODEL	
2016.10.31	 修改 	05-20161013M	張又仁			RATIO	1:13				

OPTION (Incremental weights of 20kgs)

P401



CHANGE DATE	CHANGE DESCRIPTION	CHANGE NO.	NAME	 RESTRICTED USAGE , PLEASE DON'T FORWARD TO ANYONE WHO ISN'T AUTHORIZED	DRAWN BY	UNITS	MM	SALES BLOW UP DIAGRAM	DIAGRAM NO.	GCA-F101D-A	
					VERIFIED BY		QTY	1		MODEL	
							VERSION	A0			
							RATIO	1:4			