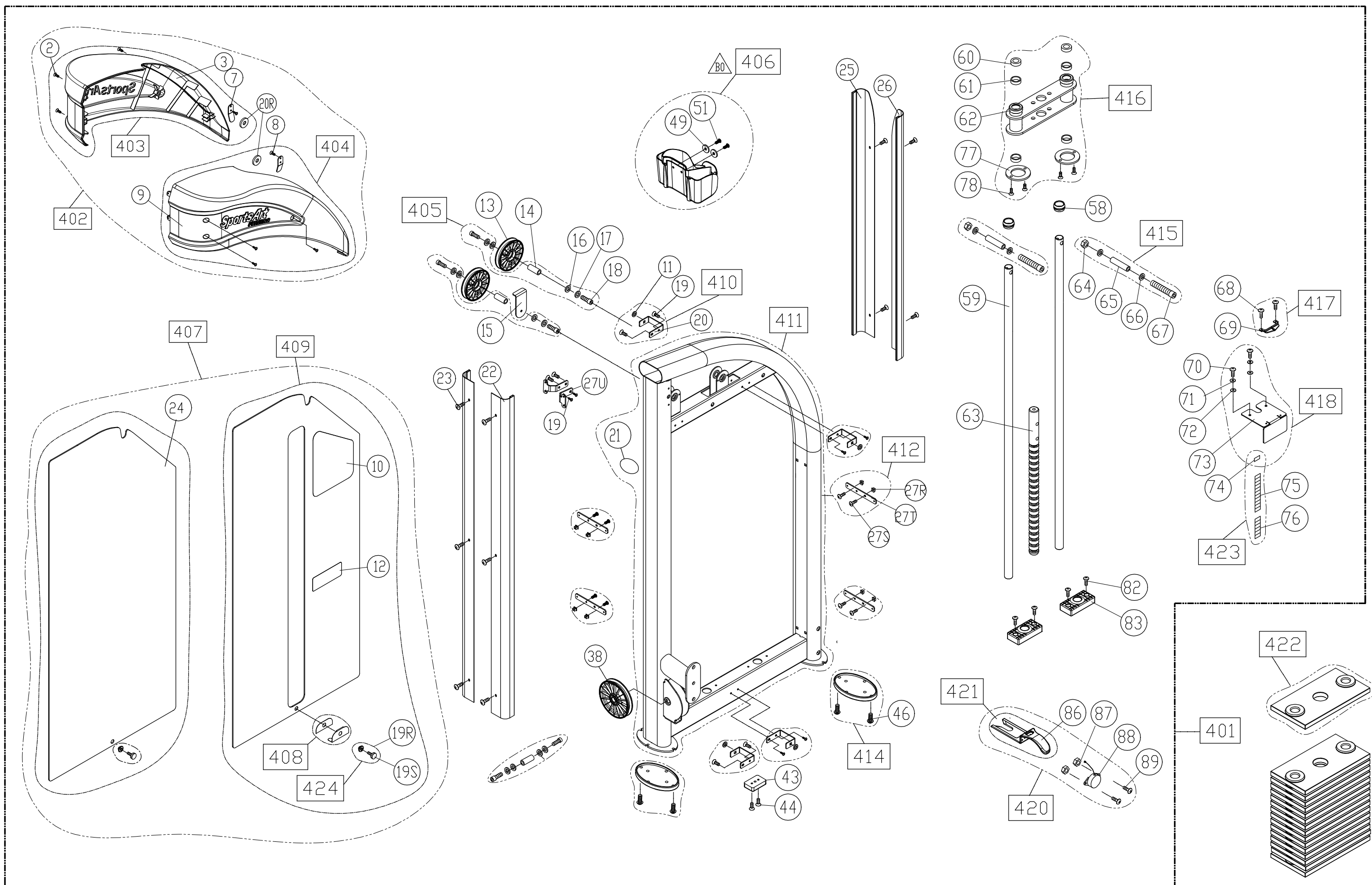


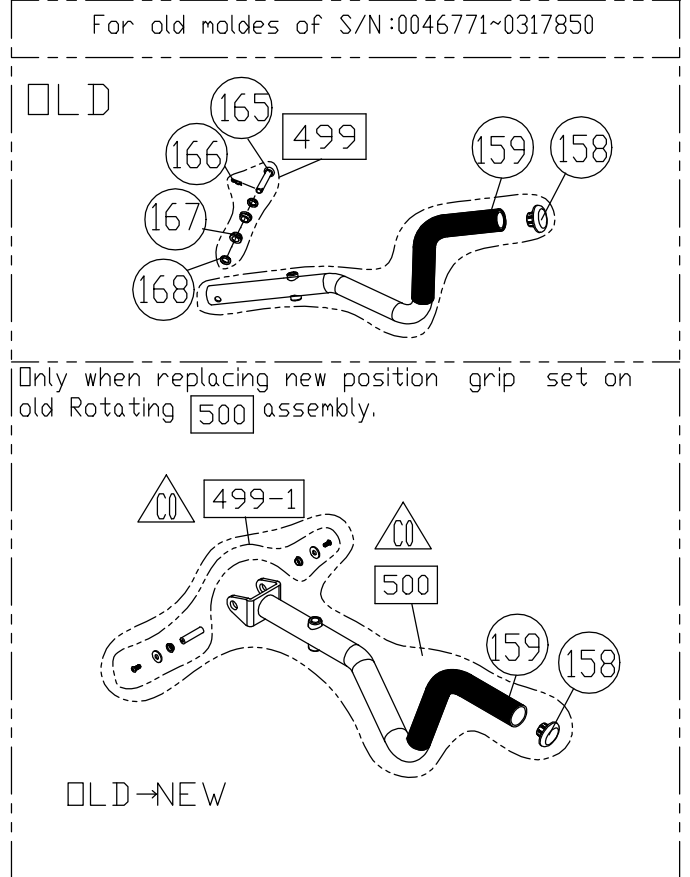
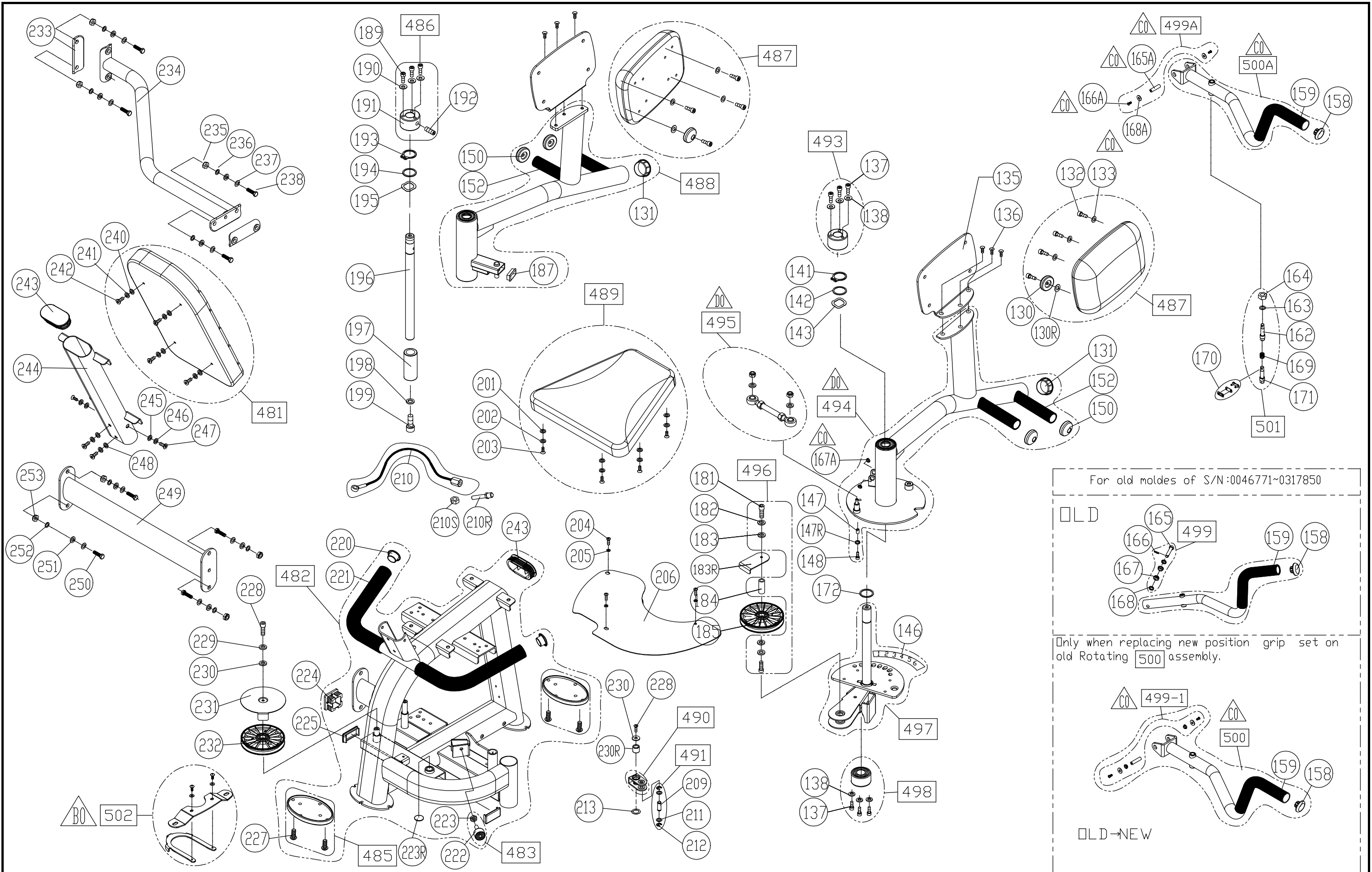
BBL	Description	QTY	Part Number	BBL	Description	QTY	Part Number
001	OWNER'S MANUAL	1	P751-001	070	SCREW - B/H (M8*P1.25*L18)	2	002-205-813
002	SCREW - P (M6*P1.0*L12)	6	002-211-282	071	WASHER - SP (M8*T2.0)	2	003-302-006
003	TOP COVER - RIGHT	1	P711-003	072	WASHER - F (D17*D8*T1.5)	2	003-301-024
007	BRACKET	2	105-710-150	073	1-PLATE BRACKET	1	196-010-16L
008	SCREW - M/P (M4*L12)	2	002-210-003	074	PLATE STICKER - 5KG (GREEN)	1	S912-047
009	TOP COVER - LEFT	1	P711-009	075	PLATE STICKER - 10-60KG (GREEN)	1	S911-048
010	STICKER - USAGE	1	P752-010	076	PLATE STICKER - 65-100KG (GREEN)	1	S911-049
011	SINGLE-SIDED TAPE	4	000-065-350	077	GUIDE RING	2	P711-077
012	STICKER - WARNING	1	DF-101-008	078	SCREW - B/P (M5*L12)	4	002-207-140
013	PULLEY	2	A971-08	082	SCREW - B/H (M6*P1.0*L15)	4	002-205-613
014	AXLE	2	DF-100-032	083	WEIGHT STACK CUSHION	2	P711-083
015	PULLEY BRACKET	1	P712-015	086	SELECTOR FORK - NO CORD	1	190-553-052
016	WASHER - F (D20*D6.3*T1.5)	4	003-301-043	087	NUT - H (M4*P0.7)	2	001-102-090
017	WASHER - SP (M6)	4	003-302-011	088	RETRACTING CABLE	1	DF-100-021
018	SCREW - M/H (M6*P1.0*L12)	4	002-203-027	089	SCREW - P (M4*P0.7*L25)	2	002-211-080
019	SCREW - M/H (M6*P1.0*L12)	12	002-203-027	130	RUBBER BUMPER	2	A951-100
019R	COVER WASHER - (D21.5*10.5)	2	DF-101-030A	130R	WASHER - F (D22*D8.2*T2)	2	003-301-042
019S	SCREW - P (M6*P1.0*L20)	2	002-213-035	131	END CAP	2	8300-26
020	BRACKET	4	105-710-210	132	SCREW - M/H (M8*P1.25*L25)	8	002-203-061
020R	FOAM RING	2	005-757-720	133	WASHER - SP (M8)	6	003-302-010
021	STICKER - WARNING	1	DF-101-020D	135	CUSHION FRAME - GREY	2	P751-135G
022	COVER FRAME - GREY	2	P712-022G	136	SCREW - B/H (M8*P1.25*L15)	6	002-202-042
023	SCREW - M/P (M5*0.8*L8)	10	002-209-137	137	SCREW - B/H (M8*P1.25*L15)	6	002-205-812
024	REAR COVER	1	P712-024	138	WASHER - SP (M8)	6	003-302-010
025	COVER FRAME - GREY	1	P712-025G	141	SNAP RING - (STW-25)	1	004-401-007
026	COVER FRAME - GREY	1	P712-026G	142	WASHER - (D32*D25.2*T2.0)	1	003-301-118
027R	SCREW INSERT	8	000-076-820	143	WASHER - W (D33*D26)	1	003-303-004
027S	SCREW - M/P (M5*L15)	8	002-210-035	144	BEARING	2	P735-210
027T	BRACKET	4	105-710-182	146	STICKER - ADJUSTMENT	1	P751-146
027U	BRACKET	2	P717-027U	147	BUSHING	1	093-315-050
038	PULLEY	1	A971-08	147R	WASHER - F (D17*D8.3*T1)	1	003-301-044
043	RUBBER CUSHION	1	A951-84	148	SCREW - B/H (M8*P1.25*L20)	1	002-205-820
044	SCREW - P (M5*P0.8*L12)	2	002-211-255	150	END CAP	4	DF-102-073
046	PASTIC RIVET	4	000-076-990	152	RUBBER GRIP	4	S935-147
048	SCREW - M/H (M6*P1.0*L12)	2	002-203-027	156	SCREW - M/H (M6*P1.0*L12)	2	002-203-027
049	WASHER - F (D20*D6.3*T1.5)	2	003-301-043	157	WASHER - F (D15*D6.5*T3.0)	2	003-301-004
050	BOTTLE HOLDER (NEW STYLE)	1	090-530-500	158	HANDLEBAR CAP	1	C521R-170
051	SCREW - M/H (M5*L20)	2	002-203-051	159	GUIDE TUBE	1	P735-234
052	BRACKET	1	090-530-520	162	AXLE	1	005-113-371
058	BUSHING	2	A911-36	163	WASHER - F (D16*D6.5*T1.5)	1	003-301-011
059	STACK GUIDE TUBE	2	P712-059	164	NUT - H/N (M5*P0.8)	1	001-101-070
060	CUSHION RING	2	A911-37	165	COTTER PIN	1	004-404-006
061	GUIDE RING	4	A911-38	166	COTTER PIN	1	004-405-031
062	UPPER COUNTERWEIGHT	1	S915-029	167	BUSHING	2	010-330-291
063	13-POSITION TUBE	1	P751-063	168	WASHER - F (D17*D8.3*T2)	2	003-301-038
064	NUT - H/N (M8)	2	001-101-080	169	SPRING	1	095-104-010
065	AXLE	2	005-730-010	170	CONNECTOR	1	A93-227
066	WASHER - F (D17*D8.3*T2)	4	003-301-038	171	AXLE	1	095-113-140
067	SCREW - H (M8*P1.25*L65)	2	002-206-068	172	WASHER - (D32*D25.2*T2.0)	1	003-301-118
068	SCREW - B/H (M5*P0.8*L10)	2	002-205-510	177	BEARING	1	P752-177
069	CABLE BRACKET	1	A911-055	181	SCREW - M/H (M6*P1.0*L12)	2	002-203-027

BBL	Description	QTY	Part Number	BBL	Description	QTY	Part Number
182	WASHER - SP (M6)	2	003-302-011	241	WASHER - SP (M8)	4	003-302-010
183	WASHER - F (D20*D6.3*T1.5)	2	003-301-043	242	SCREW - M/H (M8*P1.25*L25)	4	002-203-061
183R	PULLEY BRACKET	1	P712-015	243	END CAP	2	DF-102-027
184	AXLE	1	DF-100-032	244	SEAT BACK FRAME - GREY	1	P751-244G
185	PULLEY	1	A971-08	245	WASHER - (D18*D8.5*T2)	2	103-305-012
187	END CAP	1	C51R-05	246	WASHER - SP (M8)	4	003-302-010
188	BEARING	2	P735-210	247	SCREW - M/H (M8*P1.25*L25)	4	002-203-061
189	SCREW - B/H (M8*P1.25*L15)	3	002-205-812	248	WASHER - F (D22*D8.2*T2)	2	003-301-042
190	WASHER - SP (M8)	3	003-302-010	249	FRAME CONNECTOR - GREY	1	P751-249G
191	BUSHING	1	A951-77	250	SCREW - H (M10*P1.5*L30)	4	002-206-070
192	SCREW - H/I (M8*L5/8")	1	002-204-083	251	WASHER - SP (M10)	4	003-302-008
193	SNAP RING - (STW-25)	1	004-401-007	252	WASHER - F (D16*D10.2*T1.0)	8	003-301-141
194	WASHER - (D32*D25.2*T2.0)	1	003-301-118	253	NUT - H/N (M10)	4	001-101-030
195	WASHER - W (D33*D26)	1	003-303-004	401	MAIN FRAME ASSEMBLY - GREY	1	105-291-10K
196	ROTATING AXLE	1	P751-196	402	TOP COVER ASSEMBLY	1	103-191-200
197	BUSHING	1	096-213-070	403	TOP COVER - RIGHT	1	P711-403
198	WASHER - SP (M12)	1	003-302-013	404	TOP COVER - LEFT	1	P711-404
199	SCREW - B/H (M12*L25)	1	002-205-221	405	AXLE	3	DF-103-426
201	WASHER - F (D22*D8.2*T2)	4	003-301-042	406	BOTTLE HOLDER	1	P711-406
202	WASHER - SP (M8)	4	003-302-010	407	COVER ASSEMBLY	1	105-291-070
203	SCREW - M/H (M8*P1.25*L25)	4	002-203-061	408	BRACKET	1	P712-408
204	SCREW - M/H (M6*P1.0*L12)	3	002-203-027	409	FRONT COVER	1	P752-409
205	WASHER - F (D13*D6*t1.0)	3	003-301-034	410	BRACKET	4	P711-410
206	COVER PLATE - GREY	1	P751-206G	411	MAIN FRAME - GREY	1	105-191-11K
209	AXLE	1	001-713-180	412	BRACKET	4	P712-412
210	STRENGTH CABLE - (132.1")	1	P752-210	414	RUBBER FOOT	2	P711-414
210R	AXLE	1	DF-101-122	415	TUBE HARDWARE	2	P711-415
210S	NUT - H (M10)	1	001-102-141	416	WEIGHT STACK PLATE	1	P712-416
211	WASHER - F (D16*D10.2*T1.0)	2	003-301-141	417	CABLE BRACKET	1	S972-406
212	E-CLIP - (8MM)	2	004-402-009	418	SET FORK	1	P712-418
213	WASHER - (D19*D15.2*T0.5)	1	003-301-058	420	SELECTOR FORK - W/CORD	1	A911-50
220	END CAP	2	DF-102-073	421	SELECTOR FORK - NO CORD	1	190-591-530
221	RUBBER GRIP	2	S961-188	422	WEIGHT PLATE - 5KG	12	S911-419
222	STOPPER	1	P715-142A	423	PLATE STICKER - 5-100KG (GREEN)	1	103-191-230
223	NUT - H (M10*P1.5*H6)	1	001-102-140	424	COVER HARDWARE	2	S912-404
223R	STICKER - ROUND	1	E850-177	481	BACK CUSHION - BLACK	1	DF-100-092B
224	END CAP	1	C51U-42	482	SEAT FRAME - GREY	1	105-291-82K
225	PLASTIC CAP	2	1098-49	483	ADJUSTMENT KNOB	1	P751-483
228	SCREW - M/H (M6*P1.0*L12)	2	002-203-027	485	RUBBER FOOT	2	P711-414
229	WASHER - SP (M6)	1	003-302-011	486	ROTATOR BUSHING	1	S951-477
230	WASHER - F (D20*D6.3*T1.5)	1	003-301-043	487	LEG CUSHION - GREY	2	195-491-633
230R	BUSHING	1	093-315-041	488	LEG PRESS - LEFT - GREY	1	P752-488G
231	PULLEY COVER - GREY	1	P712-032G	489	SEAT CUSHION - BLACK	1	P751-489B
232	PULLEY	1	A971-08	490	CABLE BRACKET	1	P717-500
233	CONNECTOR PLATE - GREY	2	P715-154G	491	AXLE	1	P751-491
234	FRAME CONNECTOR - GREY	1	P751-234G	493	BUSHING	1	P751-493
235	NUT - H/N (M10)	4	001-101-030	494	LEG PRESS - RIGHT - GREY	1	P752-494G
236	WASHER - F (D16*D10.2*T1.0)	8	003-301-141	495	CONNECTOR BAR - GREY	1	S951-478G
237	WASHER - SP (M10)	4	003-302-008	496	AXLE	1	DF-103-426
238	SCREW - H (M10*P1.5*L130)	4	002-206-082	497	CAM ROTATOR	1	P752-497
240	WASHER - F (D22*D8.2*T2)	4	003-301-042	498	RUBBER BUSHING	1	P751-498

BBL	Description	QTY	Part Number	BBL	Description	QTY	Part Number
499	AXLE	1	P735-512				
500	ADJUSTMENT ARM - GREY	1	P752-500G				
501	POSITION PIN	1	P751-501				



CHANGE DATE	CHANGE DESCRIPTION	CHANGE NO.	NAME	 RESTRICTED USAGE , PLEASE DON'T FORWARD TO ANYONE WHO ISN'T AUTHORIZED	DRAWN BY	UNITS	MM	SALES BLOW UP DIAGRAM	DIAGRAM NO.	MODEL	
2016.01.29	△ 406 水壺架組修改造型, 取消(48)(50)(52), (49)(51)變更料件	05-20150906M	蔡鴻興		VERIFIED BY	QTY	1				P751/P752
						VERSION	B0				
						RATIO	1/11				



CHANGE DATE	CHANGE DESCRIPTION	CHANGE NO.	NAME	SPORTSART FITNESS	DRAWN BY	UNITS	MM	SALES BLOW UP DIAGRAM	DIAGRAM NO.	GCV-F101D-D
2015.12.09	BO 增加機台固定性, 故新增 [502]	05-20151205M	鄭宜峰	RESTRICTED USAGE , PLEASE DON'T FORWARD TO ANYONE WHO ISN'T AUTHORIZED	VERIFIED BY	QTY	1	XX	MODEL	P752
2016.08.31	CO 新增 [499-1] 修改 [499]=[499A] [500]=[500A] [165]=[165A] [166]=[166A] [167]=[167A] [168]=[168A]	05-20160510M	尤淑芬							
2017.06.01	DO 修改 [495] [494] [156] [157]	05-20170510M	張又仁							