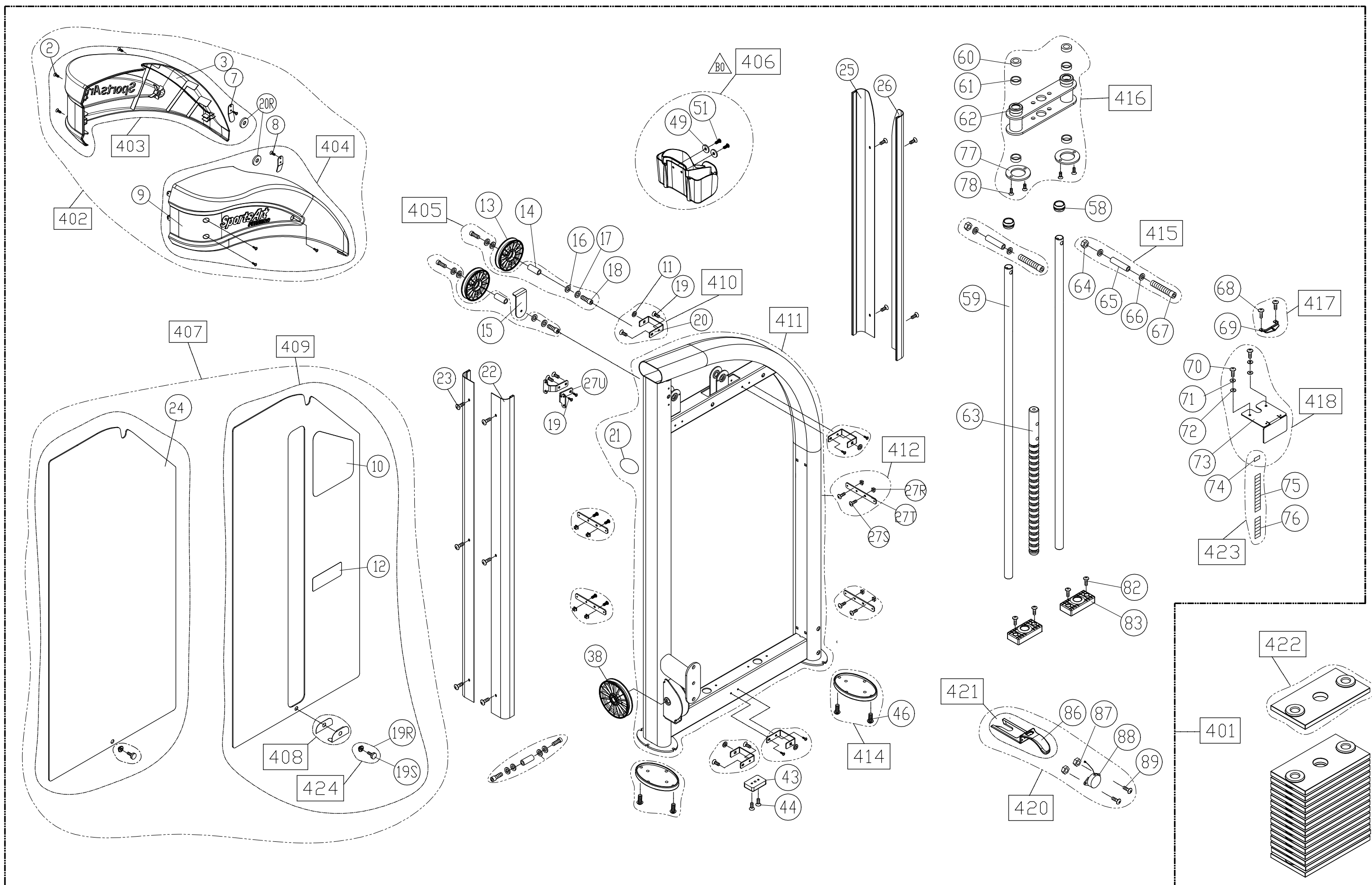
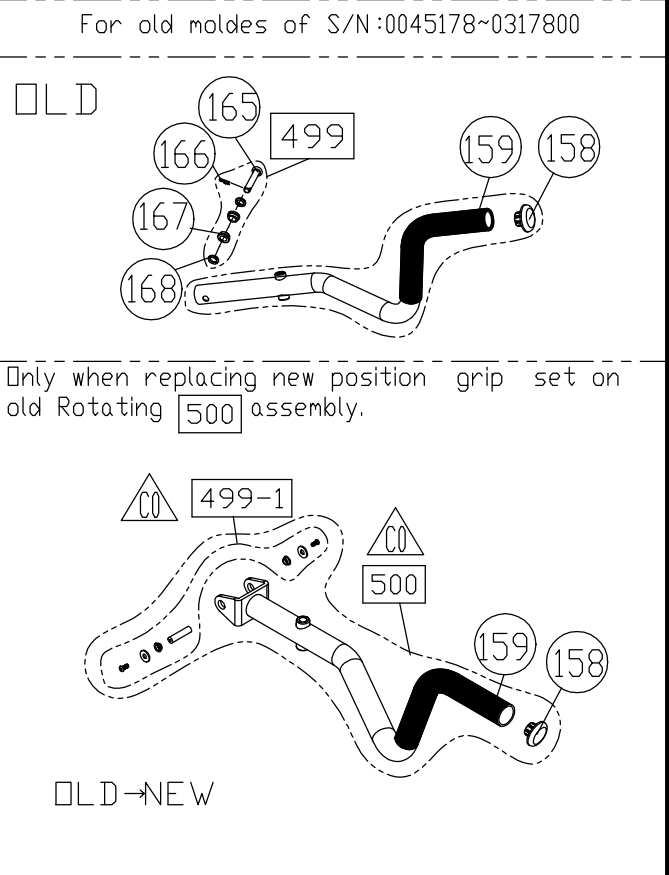
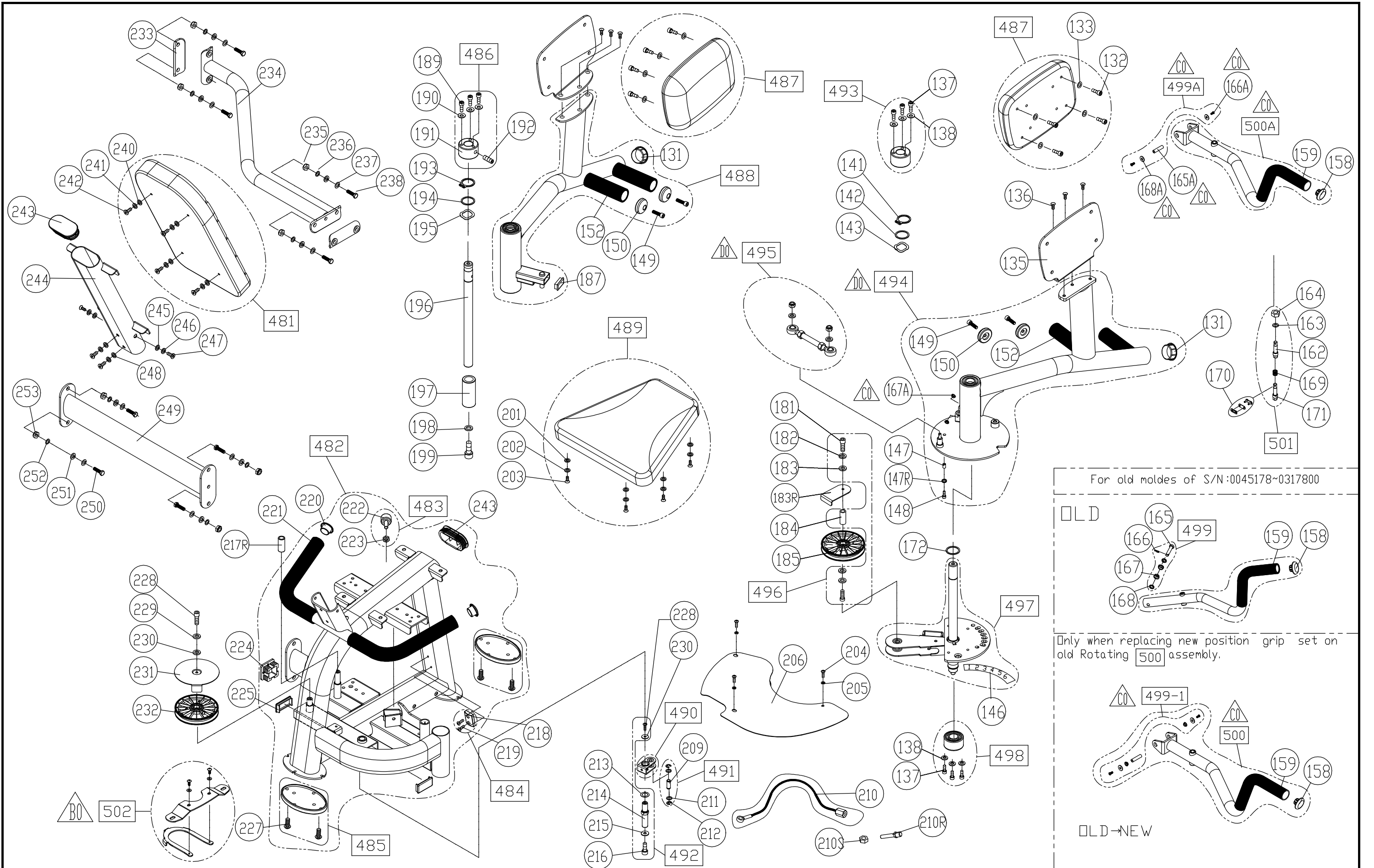


| BBL  | Description                      | QTY | Part Number | BBL  | Description                | QTY | Part Number |
|------|----------------------------------|-----|-------------|------|----------------------------|-----|-------------|
| 001  | OWNER'S MANUAL                   | 1   | P751-001    | 083  | WEIGHT STACK CUSHION       | 2   | P711-083    |
| 002  | SCREW - P (M6*P1.0*L12)          | 6   | 002-211-282 | 086  | SELECTOR FORK - NO CORD    | 1   | 190-553-052 |
| 003  | TOP COVER - RIGHT                | 1   | P711-003    | 087  | NUT - H (M4*P0.7)          | 2   | 001-102-090 |
| 007  | BRACKET                          | 2   | 105-710-150 | 088  | RETRACTING CABLE           | 1   | DF-100-021  |
| 008  | SCREW - M/P (M4*L12)             | 2   | 002-210-003 | 089  | SCREW - P (M4*P0.7*L25)    | 2   | 002-211-080 |
| 010  | STICKER - USAGE                  | 1   | 005-163-010 | 131  | END CAP                    | 2   | 8300-26     |
| 019R | COVER WASHER - (D21.5*10.5)      | 2   | DF-101-030A | 132  | SCREW - M/H (M8*P1.25*L25) | 8   | 002-203-061 |
| 019S | SCREW - P (M6*P1.0*L20)          | 2   | 002-213-035 | 133  | WASHER - SP (M8)           | 8   | 003-302-010 |
| 020  | BRACKET                          | 4   | 105-710-210 | 135  | CUSHION FRAME - GREY       | 2   | P751-135G   |
| 020R | FOAM RING                        | 2   | 005-757-720 | 136  | SCREW - B/H (M8*P1.25*L15) | 6   | 002-202-042 |
| 021  | STICKER - WARNING                | 1   | DF-101-020D | 137  | SCREW - B/H (M8*P1.25*L15) | 6   | 002-205-812 |
| 022  | COVER FRAME - GREY               | 2   | P712-022G   | 138  | WASHER - SP (M8)           | 6   | 003-302-010 |
| 023  | SCREW - M/P (M5*0.8*L8)          | 10  | 002-209-137 | 141  | SNAP RING - (STW-25)       | 1   | 004-401-007 |
| 024  | REAR COVER                       | 1   | P712-024    | 142  | WASHER - (D32*D25.2*T2.0)  | 1   | 003-301-118 |
| 025  | COVER FRAME - GREY               | 1   | P712-025G   | 143  | WASHER - W (D33*D26)       | 1   | 003-303-004 |
| 026  | COVER FRAME - GREY               | 1   | P712-026G   | 146  | STICKER - ADJUSTMENT       | 1   | P751-146    |
| 027R | SCREW INSERT                     | 8   | 000-076-820 | 147  | BUSHING                    | 1   | 093-315-050 |
| 027S | SCREW - M/P (M5*L15)             | 8   | 002-210-035 | 147R | WASHER - F (D17*D8.3*T1)   | 1   | 003-301-044 |
| 027T | BRACKET                          | 4   | 105-710-182 | 148  | SCREW - B/H (M8*P1.25*L20) | 1   | 002-205-820 |
| 027U | BRACKET                          | 2   | P717-027U   | 149  | SCREW - B/H (M8*P1.25*L30) | 4   | 002-205-831 |
| 038  | PULLEY                           | 1   | A971-08     | 150  | RUBBER BUMPER              | 4   | A951-100    |
| 043  | RUBBER CUSHION                   | 1   | A951-84     | 152  | RUBBER GRIP                | 4   | DF-106-093  |
| 044  | SCREW - P (M5*P0.8*L12)          | 2   | 002-211-255 | 156  | SCREW - M/H (M6*P1.0*L12)  | 2   | 002-203-027 |
| 046  | PASTIC RIVET                     | 4   | 000-076-990 | 157  | WASHER - F (D15*D6.5*T3.0) | 2   | 003-301-004 |
| 048  | SCREW - M/H (M6*P1.0*L12)        | 2   | 002-203-027 | 158  | HANDLEBAR CAP              | 1   | C521R-170   |
| 049  | WASHER - F (D20*D6.3*T1.5)       | 2   | 003-301-043 | 159  | GUIDE TUBE                 | 1   | P735-234    |
| 050  | BOTTLE HOLDER (NEW STYLE)        | 1   | 090-530-500 | 162  | AXLE                       | 1   | 005-113-371 |
| 051  | SCREW - M/H (M5*L20)             | 2   | 002-203-051 | 163  | WASHER - F (D16*D6.5*T1.5) | 1   | 003-301-011 |
| 052  | BRACKET                          | 1   | 090-530-520 | 164  | NUT - H/N (M5*P0.8)        | 1   | 001-101-070 |
| 058  | BUSHING                          | 2   | A911-36     | 165  | COTTER PIN                 | 1   | 004-404-006 |
| 059  | STACK GUIDE TUBE                 | 2   | P712-059    | 166  | COTTER PIN                 | 1   | 004-405-031 |
| 060  | CUSHION RING                     | 2   | A911-37     | 167  | BUSHING                    | 2   | 010-330-291 |
| 061  | GUIDE RING                       | 4   | A911-38     | 168  | WASHER - F (D17*D8.3*T2)   | 2   | 003-301-038 |
| 062  | UPPER COUNTERWEIGHT              | 1   | S915-029    | 169  | SPRING                     | 1   | 095-104-010 |
| 063  | 13-POSITION TUBE                 | 1   | P751-063    | 170  | CONNECTOR                  | 1   | A93-227     |
| 064  | NUT - H/N (M8)                   | 2   | 001-101-080 | 171  | AXLE                       | 1   | 095-113-140 |
| 065  | AXLE                             | 2   | 005-730-010 | 172  | WASHER - (D32*D25.2*T2.0)  | 1   | 003-301-118 |
| 066  | WASHER - F (D17*D8.3*T2)         | 4   | 003-301-038 | 181  | SCREW - M/H (M6*P1.0*L12)  | 2   | 002-203-027 |
| 067  | SCREW - H (M8*P1.25*L65)         | 2   | 002-206-068 | 182  | WASHER - SP (M6)           | 2   | 003-302-011 |
| 068  | SCREW - B/H (M5*P0.8*L10)        | 2   | 002-205-510 | 183  | WASHER - F (D20*D6.3*T1.5) | 2   | 003-301-043 |
| 069  | CABLE BRACKET                    | 1   | A911-055    | 183R | PULLEY BRACKET             | 1   | P712-015    |
| 070  | SCREW - B/H (M8*P1.25*L18)       | 2   | 002-205-813 | 184  | AXLE                       | 1   | DF-100-032  |
| 071  | WASHER - SP (M8*T2.0)            | 2   | 003-302-006 | 185  | PULLEY                     | 1   | A971-08     |
| 072  | WASHER - F (D17*D8*T1.5)         | 2   | 003-301-024 | 187  | END CAP                    | 1   | C51R-05     |
| 073  | 1-PLATE BRACKET                  | 1   | 196-010-16L | 189  | SCREW - B/H (M8*P1.25*L15) | 3   | 002-205-812 |
| 074  | PLATE STICKER - 5KG (GREEN)      | 1   | S912-047    | 190  | WASHER - SP (M8)           | 3   | 003-302-010 |
| 075  | PLATE STICKER - 10-60KG (GREEN)  | 1   | S911-048    | 191  | BUSHING                    | 1   | A951-77     |
| 076  | PLATE STICKER - 65-100KG (GREEN) | 1   | S911-049    | 192  | SCREW - H/I (M8*L5/8")     | 1   | 002-204-083 |
| 077  | GUIDE RING                       | 2   | P711-077    | 193  | SNAP RING - (STW-25)       | 1   | 004-401-007 |
| 078  | SCREW - B/P (M5*L12)             | 4   | 002-207-140 | 194  | WASHER - (D32*D25.2*T2.0)  | 1   | 003-301-118 |
| 082  | SCREW - B/H (M6*P1.0*L15)        | 4   | 002-205-613 | 195  | WASHER - W (D33*D26)       | 1   | 003-303-004 |

| BBL  | Description                 | QTY | Part Number | BBL | Description                     | QTY | Part Number |
|------|-----------------------------|-----|-------------|-----|---------------------------------|-----|-------------|
| 196  | ROTATING AXLE               | 1   | P751-196    | 250 | SCREW - H (M10*P1.5*L30)        | 4   | 002-206-070 |
| 197  | BUSHING                     | 1   | 096-213-070 | 251 | WASHER - SP (M10)               | 4   | 003-302-008 |
| 198  | WASHER - SP (M12)           | 1   | 003-302-013 | 252 | WASHER - F (D16*D10.2*T1.0)     | 8   | 003-301-141 |
| 199  | SCREW - B/H (M12*L25)       | 1   | 002-205-221 | 253 | NUT - H/N (M10)                 | 4   | 001-101-030 |
| 201  | WASHER - F (D22*D8.2*T2)    | 4   | 003-301-042 | 401 | MAIN FRAME ASSEMBLY - GREY      | 1   | 105-191-10K |
| 202  | WASHER - SP (M8)            | 4   | 003-302-010 | 402 | TOP COVER ASSEMBLY              | 1   | 103-191-200 |
| 203  | SCREW - M/H (M8*P1.25*L25)  | 4   | 002-203-061 | 403 | TOP COVER - RIGHT               | 1   | P711-403    |
| 204  | SCREW - M/H (M6*P1.0*L12)   | 3   | 002-203-027 | 404 | TOP COVER - LEFT                | 1   | P711-404    |
| 205  | WASHER - F (D13*D6*t1.0)    | 3   | 003-301-034 | 405 | AXLE                            | 3   | DF-103-426  |
| 206  | COVER PLATE - GREY          | 1   | P751-206G   | 406 | BOTTLE HOLDER                   | 1   | P711-406    |
| 209  | AXLE                        | 1   | 001-713-180 | 407 | COVER ASSEMBLY                  | 1   | 105-191-070 |
| 210  | STRENGTH CABLE - (130.3")   | 1   | P751-210    | 408 | BRACKET                         | 1   | P712-408    |
| 210R | AXLE                        | 1   | DF-101-122  | 409 | FRONT COVER                     | 1   | P751-409    |
| 210S | NUT - H (M10)               | 1   | 001-102-141 | 410 | BRACKET                         | 4   | P711-410    |
| 211  | WASHER - F (D16*D10.2*T1.0) | 2   | 003-301-141 | 411 | MAIN FRAME - GREY               | 1   | 105-191-11K |
| 212  | E-CLIP - (8MM)              | 2   | 004-402-009 | 412 | BRACKET                         | 4   | P712-412    |
| 213  | WASHER - (D19*D15.2*T0.5)   | 1   | 003-301-058 | 414 | RUBBER FOOT                     | 2   | P711-414    |
| 214  | AXLE                        | 1   | 005-113-220 | 415 | TUBE HARDWARE                   | 2   | P711-415    |
| 215  | WASHER - F (D26*D8.5*T2)    | 1   | 003-301-033 | 416 | WEIGHT STACK PLATE              | 1   | P712-416    |
| 216  | SCEW - B/H (M8*P1.25*L12)   | 1   | 002-205-161 | 417 | CABLE BRACKET                   | 1   | S972-406    |
| 217R | AXLE                        | 1   | 000-033-995 | 418 | SET FORK                        | 1   | P712-418    |
| 218  | RUBBER BLOCK                | 1   | E83-89      | 420 | SELECTOR FORK - W/CORD          | 1   | A911-50     |
| 219  | SCREW - P (M5*P0.8*L8)      | 2   | 002-211-252 | 421 | SELECTOR FORK - NO CORD         | 1   | 190-591-530 |
| 220  | END CAP                     | 2   | DF-102-073  | 422 | WEIGHT PLATE - 5KG              | 12  | S911-419    |
| 221  | RUBBER GRIP                 | 2   | S961-188    | 423 | PLATE STICKER - 5-100KG (GREEN) | 1   | 103-191-230 |
| 222  | STOPPER                     | 1   | P715-142A   | 424 | COVER HARDWARE                  | 2   | S912-404    |
| 223  | NUT - H (M10*P1.5*H6)       | 1   | 001-102-140 | 481 | BACK CUSHION - BLACK            | 1   | DF-100-092B |
| 224  | END CAP                     | 1   | C51U-42     | 482 | SEAT FRAME - GREY               | 1   | 105-191-82K |
| 225  | PLASTIC CAP                 | 2   | 1098-49     | 483 | ADJUSTMENT KNOB                 | 1   | P751-483    |
| 227  | PASTIC RIVET                | 4   | 000-076-990 | 484 | RUBBER STOPPER                  | 1   | P751-484    |
| 228  | SCREW - M/H (M6*P1.0*L12)   | 2   | 002-203-027 | 485 | RUBBER FOOT                     | 2   | P711-414    |
| 229  | WASHER - SP (M6)            | 1   | 003-302-011 | 486 | ROTATOR BUSHING                 | 1   | S951-477    |
| 230  | WASHER - F (D20*D6.3*T1.5)  | 1   | 003-301-043 | 487 | LEG CUSHION - BLACK             | 2   | A951-47B    |
| 231  | PULLEY COVER - GREY         | 1   | P712-032G   | 488 | LEG PRESS - LEFT - GREY         | 1   | P751-488G   |
| 232  | PULLEY                      | 1   | A971-08     | 489 | SEAT CUSHION - BLACK            | 1   | P751-489B   |
| 233  | CONNECTOR PLATE - GREY      | 2   | P715-154G   | 490 | CABLE BRACKET                   | 1   | P717-500    |
| 234  | FRAME CONNECTOR - GREY      | 1   | P751-234G   | 491 | AXLE                            | 1   | P751-491    |
| 235  | NUT - H/N (M10)             | 4   | 001-101-030 | 492 | AXLE                            | 1   | P751-492    |
| 236  | WASHER - F (D16*D10.2*T1.0) | 8   | 003-301-141 | 493 | BUSHING                         | 1   | P751-493    |
| 237  | WASHER - SP (M10)           | 4   | 003-302-008 | 494 | LEG PRESS - RIGHT - GREY        | 1   | P751-494G   |
| 238  | SCREW - H (M10*P1.5*L130)   | 4   | 002-206-082 | 495 | CONNECTOR BAR - GREY            | 1   | S951-478G   |
| 240  | WASHER - F (D22*D8.2*T2)    | 4   | 003-301-042 | 496 | AXLE                            | 1   | DF-103-426  |
| 241  | WASHER - SP (M8)            | 4   | 003-302-010 | 497 | CAM SELECTOR                    | 1   | P751-497    |
| 242  | SCREW - M/H (M8*P1.25*L25)  | 4   | 002-203-061 | 498 | RUBBER BUSHING                  | 1   | P751-498    |
| 243  | END CAP                     | 2   | DF-102-027  | 499 | AXLE                            | 1   | P735-512    |
| 244  | SEAT BACK FRAME - GREY      | 1   | P751-244G   | 500 | ADJUSTMENT ARM - GREY           | 1   | P752-500G   |
| 245  | WASHER - (D18*D8.5*T2)      | 2   | 103-305-012 | 501 | POSITION PIN                    | 1   | P751-501    |
| 246  | WASHER - SP (M8)            | 4   | 003-302-010 |     |                                 |     |             |
| 247  | SCREW - M/H (M8*P1.25*L25)  | 4   | 002-203-061 |     |                                 |     |             |
| 248  | WASHER - F (D22*D8.2*T2)    | 2   | 003-301-042 |     |                                 |     |             |
| 249  | FRAME CONNECTOR - GREY      | 1   | P751-249G   |     |                                 |     |             |



| CHANGE DATE | CHANGE DESCRIPTION                           | CHANGE NO.   | NAME | <br>RESTRICTED USAGE ,<br>PLEASE DON'T FORWARD TO ANYONE WHO ISN'T AUTHORIZED | DRAWN BY    | UNITS   | MM   | SALES BLOW UP DIAGRAM | DIAGRAM NO. | GCV-F101B-B |           |
|-------------|--|--------------|------|--|-------------|---------|------|-----------------------|-------------|-------------|-----------|
| 2016.01.29  | △ 406 水壺架組修改造型, 取消(48)(50)(52), (49)(51)變更料件 | 05-20150906M | 蔡鴻興  |  | VERIFIED BY | QTY     | 1    |                       |             |             | P751/P752 |
|             |  |              |      |  |             | VERSION | B0   |                       |             | MODEL       |           |
|             |  |              |      |  |             | RATIO   | 1/11 |                       |             |             |           |



| CHANGE DATE | CHANGE DESCRIPTION   | CHANGE NO.   | NAME | SportsArt<br>FITNESS | DRAWN BY | UNITS | MM | SALES BLOW UP DIAGRAM | DIAGRAM NO. | GCV-F101C-D |
|-------------|--|--------------|------|----------------------|----------|-------|----|-----------------------|-------------|-------------|
| 2015.12.09  | BO 增加機台固定性, 故新增 502  | 05-20151205M | 鄭宜峰  |                      |          |       |    |                       |             |             |
| 2016.08.31  | CO 新增 499-1 修改 499=499A 500=500A 165=165A 166=166A 167=167A 168=168A | 05-20160510M | 尤淑芬  | VERSION              | D0       |       |    |                       |             |             |
| 2017.06.01  | DO 修改 495 494 156 157  | 05-20170510M | 張又仁  | RATIO                | 1:10     |       |    |                       |             |             |