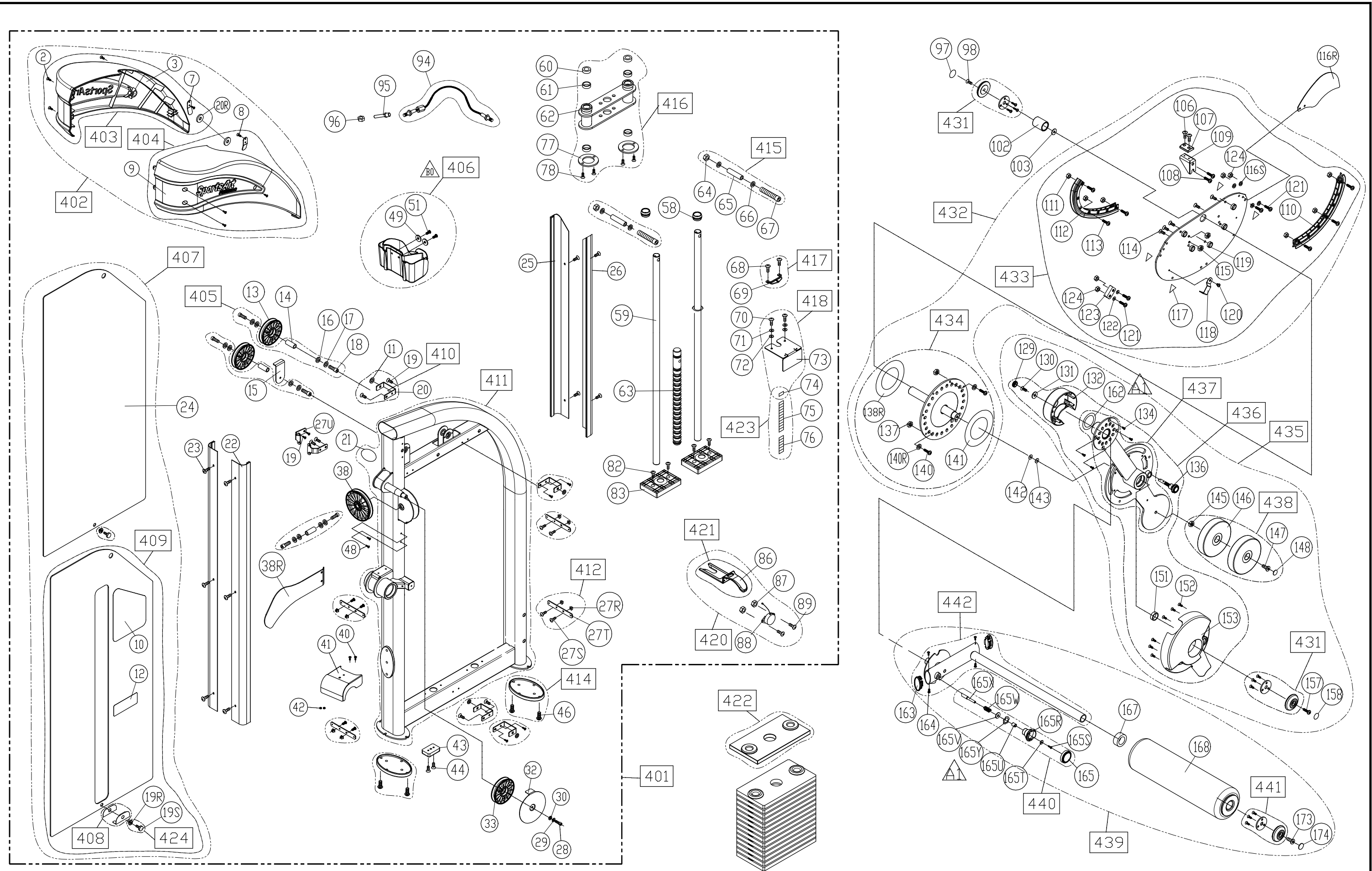
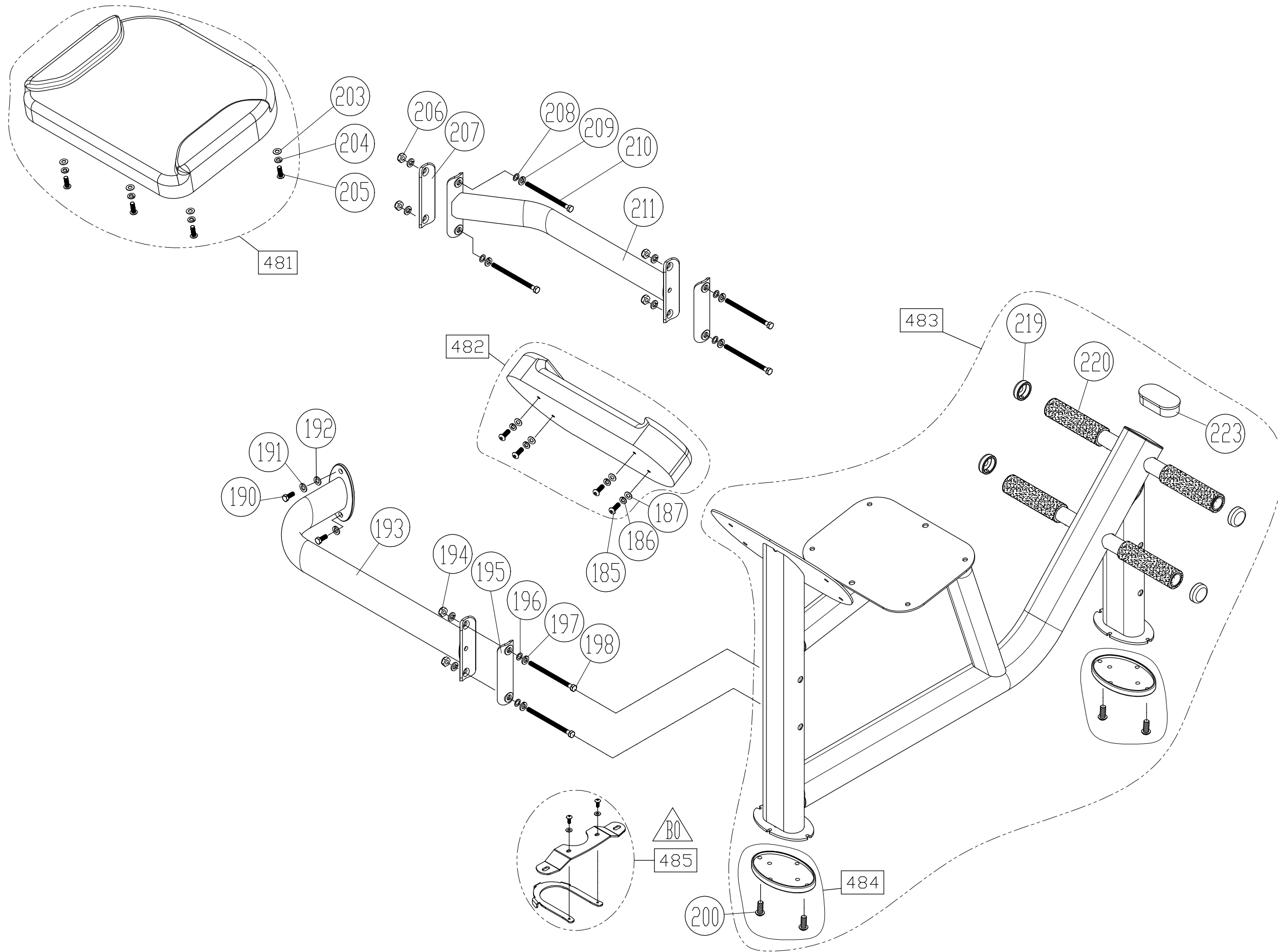


BBL	Description	QTY	Part Number	BBL	Description	QTY	Part Number
001	OWNER'S MANUAL	1	P732-001	061	GUIDE RING	4	A911-38
002	SCREW - P (M6*P1.0*L12)	6	002-211-282	062	UPPER COUNTERWEIGHT	1	S915-029
003	TOP COVER - RIGHT	1	P711-003	063	16-POSITION TUBE	1	P712-063
007	BRACKET	2	105-710-150	064	NUT - H/N (M8)	2	001-101-080
008	SCREW - M/P (M4*L12)	2	002-210-003	065	AXLE	2	005-730-010
009	TOP COVER - LEFT	1	P711-009	066	WASHER - F (D17*D8.3*T2)	4	003-301-038
010	STICKER - USAGE	1	P732-010	067	SCREW - H (M8*P1.25*L65)	2	002-206-068
011	SINGLE-SIDED TAPE	4	000-065-350	068	SCREW - B/H (M5*P0.8*L10)	2	002-205-510
012	STICKER - WARNING	1	DF-101-008	069	CABLE BRACKET	1	A911-055
013	PULLEY	2	A971-08	070	SCREW - B/H (M8*P1.25*L18)	2	002-205-813
014	AXLE	2	DF-100-032	071	WASHER - SP (M8*T2.0)	2	003-302-006
015	PULLEY BRACKET	1	P712-015	072	WASHER - F (D17*D8*T1.5)	2	003-301-024
016	WASHER - F (D20*D6.3*T1.5)	4	003-301-043	073	1-PLATE BRACKET	1	196-010-16L
017	WASHER - SP (M6)	4	003-302-011	074	PLATE STICKER - 5KG (GREEN)	1	S912-047
018	SCREW - M/H (M6*P1.0*L12)	4	002-203-027	075	PLATE STICKER - 10-60KG (GREEN)	1	S911-048
019	SCREW - M/H (M6*P1.0*L12)	12	002-203-027	076	PLATE STICKER - 65-100KG (GREEN)	1	S911-049
019R	COVER WASHER - (D21.5*10.5)	2	DF-101-030A	077	GUIDE RING	2	P711-077
019S	SCREW - P (M6*P1.0*L20)	2	002-213-035	078	SCREW - B/P (M5*L12)	4	002-207-140
020	BRACKET	4	105-710-210	082	SCREW - B/H (M6*P1.0*L15)	4	002-205-613
020R	FOAM RING	2	005-757-720	083	WEIGHT STACK CUSHION	2	P711-083
021	STICKER - WARNING	1	DF-101-020D	086	SELECTOR FORK - NO CORD	1	190-553-052
022	COVER FRAME - GREY	2	P712-022G	087	NUT - H (M4*P0.7)	4	001-102-090
023	SCREW - M/P (M5*0.8*L8)	10	002-209-137	088	RETRACTING CABLE	1	DF-100-021
024	REAR COVER	1	P712-024	089	SCREW - P (M4*P0.7*L25)	2	002-211-080
025	COVER FRAME - GREY	1	P712-025G	094	STRENGTH CABLE - (88")	1	P732-094
026	COVER FRAME - GREY	1	P712-026G	095	AXLE	1	DF-101-122
027R	SCREW INSERT	8	000-076-820	096	NUT - H (M10)	1	001-102-141
027S	SCREW - M/P (M5*L15)	8	002-210-035	097	STICKER - ROUND	1	E850-177
027T	BRACKET	4	105-710-182	098	SCREW - B/H (M8*P1.25*L20)	1	002-205-820
027U	BRACKET	2	P717-027U	102	BUSHING	1	P731-102
028	SCREW - M/H (M6*P1.0*L12)	1	002-203-027	103	WASHER - W (D38*D30)	1	003-303-006
029	WASHER - SP (M6)	1	003-302-011	106	SCREW - P (M5*P0.8*L12)	2	002-211-255
030	WASHER - F (D20*D6.3*T1.5)	1	003-301-043	107	RUBBER BLOCK	1	E83-89
032	PULLEY COVER - GREY	1	P712-032G	108	SCREW - B/H (M8*P1.25*L20)	2	002-220-821
033	PULLEY	1	A971-08	109	STOPPER	1	P712-109
038	PULLEY	1	A971-08	110	CAM PLASTIC	1	DF-100-062
038R	COVER	1	196-610-16L	111	NUT - H/N (M5*P0.8)	6	001-101-060
040	SCREW - M/H (M6*P1.0*L15)	2	002-203-023	112	CAM PLASTIC	1	DF-100-063
041	SMALL COVER - GREY	1	P712-041G	113	SCREW - M/H (M5*L16)	6	002-203-052
042	BUSHING	2	DF-103-091	114	SCREW - B/H (M8*P1.25*L20)	5	002-220-821
043	RUBBER CUSHION	1	A951-84	115	NUT - H/N (M8)	2	001-101-080
044	SCREW - P (M5*P0.8*L12)	2	002-211-255	116R	FINGER GUARD	1	P731-116R
046	PASTIC RIVET	4	000-076-990	116S	WASHER - F (D16*D6.3*T2)	4	003-301-062
048	SCREW - M/H (M6*P1.0*L12)	2	002-203-027	117	STICKER - WARNING	4	082-063-030
049	WASHER - F (D20*D6.3*T1.5)	2	003-301-043	118	BRACKET	1	P712-118
050	BOTTLE HOLDER (NEW STYLE)	1	090-530-500	119	SPACER	5	P758-119
051	SCREW - M/H (M5*L20)	2	002-203-051	120	SCREW - M/H (M6*P1.0*L10)	1	002-220-612
052	BRACKET	1	090-530-520	121	SCREW - M/H (M6*P1.0*L20)	4	T645-566
058	BUSHING	2	A911-36	122	WASHER - SP (M6*T1.5)	2	003-302-002
059	STACK GUIDE TUBE	2	P712-059	123	CABLE BLOCK	1	DF-100-067
060	CUSHION RING	2	A911-37	124	NUT - H/N (M6*P1.0*6)	4	001-101-071

BBL	Description	QTY	Part Number	BBL	Description	QTY	Part Number
129	SCREW COVER	1	C570R-59	203	WASHER - F (D17*D8.3*T1)	4	003-301-044
130	SCREW - B/H (M8*P1.25*L20)	1	002-205-820	204	WASHER - SP (M8)	4	003-302-010
131	WASHER - (D36*D8.5*T3.0)	1	103-301-154	205	SCREW - M/H (M8*P1.25*L25)	4	002-203-061
132	ROTATING ARM COVER - GREY	1	090-830-103	206	NUT - H/N (M10)	2	001-101-030
134	SCREW - B/H (M4*L12)	4	002-208-050	207	CONNECTOR PLATE - GREY	2	P711-192G
136	ADJUSTMENT KNOB	1	A911-28	208	WASHER - F (D16*D10.2*T1.0)	8	003-301-141
137	NUT - H (M10*P1.5*H6)	2	001-102-140	209	WASHER - SP (M10)	4	003-302-008
138R	STICKER - ADJUSTMENT	1	P731-138R	210	SCREW - H (M10*P1.5*L130)	4	002-206-082
140	SCREW - B/H (M10*P1.5*L12)	2	102-230-012	211	FRAME CONNECTOR - GREY	1	P732-211G
140R	WASHER - SP (M10)	2	003-302-008	219	END CAP	4	DF-102-073
141	STICKER - ROTATOR	1	S961-252	220	RUBBER GRIP	4	P732-220
142	WASHER - W (D38*D30)	1	003-303-006	223	END CAP	1	DF-102-027
143	WASHER - F (D40*D30.5*T1.0)	1	190-810-040	401	MAIN FRAME ASSEMBLY - GREY	1	103-291-10K
145	NUT - H/N (M10)	1	001-101-030	402	TOP COVER ASSEMBLY	1	103-191-200
146	WEIGHT PLATE - 4KG	2	DF-108-099	403	TOP COVER - RIGHT	1	P711-403
147	SCREW - H (M10*P1.5*L65)	1	002-206-079	404	TOP COVER - LEFT	1	P711-404
148	STICKER - ROUND	1	P731-148	405	AXLE	3	DF-103-426
151	BUSHING	1	A923-98	406	BOTTLE HOLDER	1	P711-406
152	SCREW - B/H (M4*L12)	6	002-208-050	407	COVER ASSEMBLY	1	103-291-070
153	ROTATING ARM COVER - GREY	1	090-830-093	408	BRACKET	1	P712-408
157	SCREW - B/H (M8*P1.25*L20)	1	002-205-820	409	FRONT COVER	1	P732-409
158	STICKER - ROUND	1	E875-507	410	BRACKET	4	P711-410
162	STICKER - ROTATOR	1	090-663-031	411	MAIN FRAME - GREY	1	103-291-11K
163	END CAP	2	S912-183	412	BRACKET	4	P712-412
164	SCREW - M/P (M4*L12)	4	002-210-012	414	RUBBER FOOT	2	P711-414
165	CAP	1	DF-100-080	415	TUBE HARDWARE	2	P711-415
165R	KNOB LOWER COVER	1	090-930-104	416	WEIGHT STACK PLATE	1	P712-416
165S	SCREW - P (M4*P0.7*L15)	1	T655-467	417	CABLE BRACKET	1	S972-406
165T	WASHER - F (D12*D4.2 T1.0)	1	003-301-018	418	SET FORK	1	P712-418
165U	SPACER	1	053-213-082	420	SELECTOR FORK - W/CORD	1	A911-50
165V	O-RING	1	000-076-690	421	SELECTOR FORK - NO CORD	1	190-591-530
165W	SPRING	1	DF-101-135	422	WEIGHT PLATE - 5KG	15	S911-419
165X	PIN	1	005-713-270	423	PLATE STICKER - 5-100KG (GREEN)	1	103-191-230
165Y	WASHER - W (D11*D6.4)	1	003-303-010	424	COVER HARDWARE	2	S912-404
167	BUSHING	1	P731-167	431	END CAP - GREY	2	S915-479
168	CYLINDRICAL CUSHION - BLACK	1	S931-253B	432	CAM ASSEMBLY	1	103-191-320
173	SCREW - B/H (M8*P1.25*L30)	1	002-205-831	433	CAM	1	P731-433
174	STICKER - ROUND	1	E850-177	434	CAM AXLE	1	P731-434
185	WASHER - F (D17*D8.3*T1)	4	003-301-044	435	ROTATOR ASSEMBLY - GREY	1	103-191-35K
186	WASHER - SP (M8)	4	003-302-010	436	ROATOR - GREY	1	P731-436G
187	SCREW - M/H (M8*P1.25*L25)	4	002-203-061	437	ROTATOR ARM - GREY	1	P731-437G
190	SCREW - H (M10*P1.5*L20)	2	002-206-086	438	COUNTERWEIGHT	1	P731-438
191	WASHER - SP (M10)	2	003-302-008	439	CHEST CUSHION ASSEMBLY - GREY	1	103-191-38K
192	WASHER - F (D16*D10.2*T1.0)	2	003-301-141	440	ADJUSTMENT KNOB	1	P731-440
193	FRAME CONNECTOR - GREY	1	P731-193G	441	END CAP - GREY	1	193-691-630
194	NUT - H/N (M10)	4	001-101-030	442	CHEST ARM - GREY	1	P731-442G
195	CONNECTOR PLATE - GREY	1	P711-192G	481	CUSHION - BLACK	1	P732-481B
196	WASHER - F (D16*D10.2*T1.0)	4	003-301-141	482	SEAT CUSHION - BLACK	1	P731-482B
197	WASHER - SP (M10)	2	003-302-008	483	SEAT FRAME - GREY	1	103-291-83K
198	SCREW - H (M10*P1.5*L130)	2	002-206-082	484	RUBBER FOOT	2	P711-414
200	PASTIC RIVET	4	000-076-990				



CHANGE DATE	CHANGE DESCRIPTION	CHANGE NO.	NAME	 RESTRICTED USAGE , PLEASE DON'T FORWARD TO ANYONE WHO ISN'T AUTHORIZED	DRAWN BY	UNITS	MM	SALES BLOW UP DIAGRAM	DIAGRAM NO.	GCC-F101B-B	
2014.12.16	△ 162 從 442 移至 437 ; 新增 165Y		黃永業		VERIFIED BY	QTY	1				P732
2016.01.29	△ B0 406 水壺架組修改造型, 取消 48, 50, 52, 49, 51 變更料件	05-20150906M	蔡鴻興			VERSION	B0			MODEL	
						RATIO	1/13				



CHANGE DATE	CHANGE DESCRIPTION	CHANGE NO.	NAME	<b>SportsArt</b> <b>FITNESS</b> RESTRICTED USAGE , PLEASE DON'T FORWARD TO ANYONE WHO ISN'T AUTHORIZED	DRAWN BY	UNITS	MM	SALES BLOW UP DIAGRAM	DIAGRAM NO.	GCC-F101C-B
2015.12.09	 增加機台固定性, 故新增 485	05-20151205M	鄭宜峰		VERIFIED BY	QTY	1	XX	MODEL	P732
						VERSION	B0			
						RATIO	1:8			