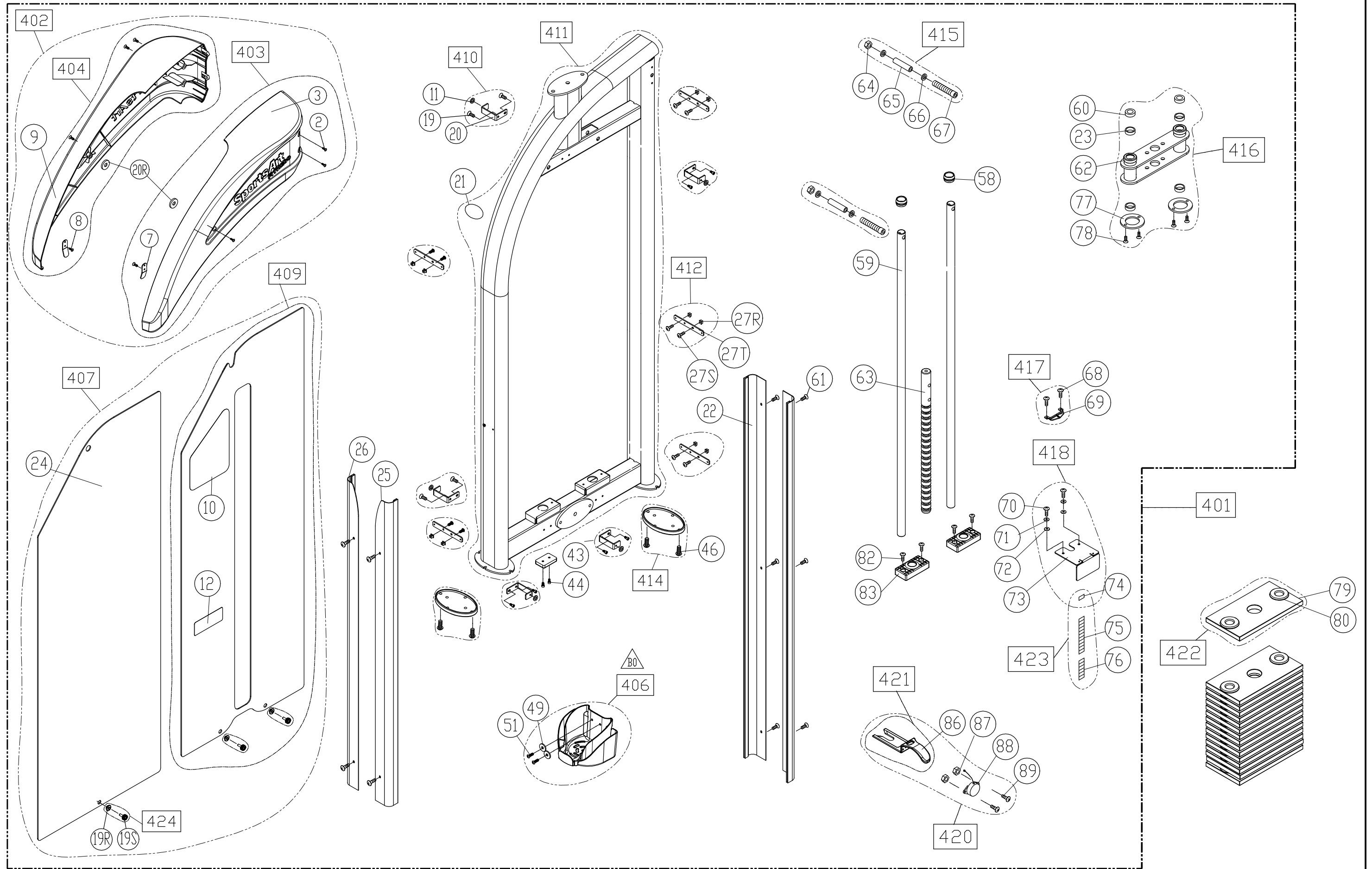


BBL	Description	QTY	Part Number	BBL	Description	QTY	Part Number
001	OWNER'S MANUAL	1	P726-001	078	SCREW - B/P (M5*L12)	4	002-207-140
002	SCREW - P (M6*P1.0*L12)	6	002-211-282	082	SCREW - B/H (M6*P1.0*L15)	4	002-205-613
003	TOP COVER - RIGHT	1	P711-003	083	WEIGHT STACK CUSHION	2	P711-083
007	BRACKET	2	105-710-150	086	SELECTOR FORK - NO CORD	1	190-553-052
008	SCREW - M/P (M4*L12)	2	002-210-003	087	NUT - H (M4*P0.7)	2	001-102-090
009	TOP COVER - LEFT	1	P711-009	088	RETRACTING CABLE	1	DF-100-021
010	STICKER - USAGE	1	P726-010	089	SCREW - P (M4*P0.7*L25)	2	002-211-080
011	SINGLE-SIDED TAPE	5	000-065-350	131	SCREW - H (M10*P1.5*L30)	4	002-206-070
012	STICKER - WARNING	1	DF-101-008	132	WASHER - SP (M10)	4	003-302-008
019	SCREW - M/H (M6*P1.0*L12)	10	002-203-027	133	WASHER - F (D21*D10.5*T2)	8	003-301-001
019R	COVER WASHER - (D21.5*10.5)	3	DF-101-030A	134	NUT - H/N (M10)	4	001-101-030
019S	SCREW - P (M6*P1.0*L20)	3	002-213-035	135A	LAT PULL FRAME - GREY (NEW)	1	P726-135G
020	BRACKET	5	105-710-210	136	SCREW - H (M10*P1.5*L30)	2	002-206-070
020R	FOAM RING	2	005-757-720	137	WASHER - SP (M10)	2	003-302-008
021	STICKER - WARNING	1	DF-101-020D	138	WASHER - F (D21*D10.5*T2)	4	003-301-001
022	COVER FRAME - GREY	2	P711-022G	139	NUT - H/N (M10)	2	001-101-030
023	SCREW - M/P (M5*0.8*L8)	10	002-209-137	142	WASHER - F (D16*D10.2*T1.0)	2	003-301-141
024	REAR COVER	1	P722-024	143	WASHER - SP (M10)	2	003-302-008
025	COVER FRAME - GREY	1	P722-025G	144	SCREW - H (M10*P1.5*L30)	2	002-206-070
026	COVER FRAME - GREY	1	P711-026G	146	SCREW - M/H (M6*P1.0*L8)	1	002-203-022
027R	SCREW INSERT	10	000-076-820	148	PASTIC RIVET	2	000-076-990
027S	SCREW - M/P (M5*L15)	10	002-210-035	152	STOPPER PLATE	1	153-210-330
027T	BRACKET	5	105-710-182	153	SCREW - B/P (M4*12)	2	002-207-130
043	RUBBER CUSHION	1	A951-84	154	PIN	1	053-251-024
044	SCREW - P (M5*P0.8*L12)	2	002-211-255	155	SPRING	1	DF-101-135
046	PASTIC RIVET	4	000-076-990	156	O-RING	1	000-076-690
048	SCREW - M/H (M6*P1.0*L12)	2	002-203-027	157	SPACER	1	053-213-082
049	WASHER - F (D20*D6.3*T1.5)	2	003-301-043	157R	WASHER - W (D11*D6.4)	1	003-303-010
050	BOTTLE HOLDER (NEW STYLE)	1	090-530-500	158	ADJUSTMENT KNOB	1	092-130-071
051	SCREW - M/H (M5*L20)	2	002-203-051	159	WASHER - F (D12*D4.2 T1.0)	1	003-301-018
052	BRACKET	1	090-530-520	160	SCREW - P (M4*P0.7*L14)	1	002-211-067
058	BUSHING	2	A911-36	161	ADJUSTMENT KNOB CAP	1	092-130-060
059	STACK GUIDE TUBE	2	P711-059	162	SCREW - M/H (M4*P0.7*L8)	2	002-209-143
060	CUSHION RING	2	A911-37	163	TUBE SHEATH	1	DF-100-094
061	GUIDE RING	4	A911-38	165	AXLE	1	A93-56
062	UPPER COUNTERWEIGHT	1	S915-029	166	BUSHING	2	000-004-910
063	16-POSITION TUBE	1	P712-063	168	WASHER - F (D13*D6*t1.0)	2	003-301-034
064	NUT - H/N (M8)	2	001-101-080	169	WASHER - SP (M6)	2	003-302-011
065	AXLE	2	005-730-010	170	SCREW - M/H (M6*P1.0*L15)	2	002-203-023
066	WASHER - F (D17*D8.3*T2)	4	003-301-038	172	CYLINDRICAL CUSHION - BLACK	2	S931-219B
067	SCREW - H (M8*P1.25*L65)	2	002-206-068	175	SCREW - B/H (M8*P1.25*L30)	2	002-205-831
068	SCREW - B/H (M5*P0.8*L10)	2	002-205-510	178	STICKER - ROUND	2	E850-177
069	CABLE BRACKET	1	A911-055	179	SCREW - M/H (M6*P1.0*L12)	4	002-203-027
070	SCREW -B/H (M8*P1.25*L18)	2	002-205-813	180	AXLE	2	DF-100-032
071	WASHER - SP (M8*T2.0)	2	003-302-006	181	PULLEY	2	A971-08
072	WASHER - F (D17*D8*T1.5)	2	003-301-024	182	WASHER - F (D20*D6.3*T1.5)	4	003-301-043
073	1-PLATE BRACKET	1	196-010-16L	183	WASHER - SP (M6)	4	003-302-011
074	PLATE STICKER - 5KG (GREEN)	1	S912-047	185	SCREW - M/H (M6*P1.0*L40)	1	002-203-042
075	PLATE STICKER - 10-60KG (GREEN)	1	S911-048	186	AXLE	1	015-130-020
076	PLATE STICKER - 65-100KG (GREEN)	1	S911-049	187	BUSHING	1	A93-30
077	GUIDE RING	2	P711-077	188	NUT - H/N (M5*P0.8)	1	001-101-070

BBL	Description	QTY	Part Number	BBL	Description	QTY	Part Number
189	NUT - H (M10)	1	001-102-141	481	END CAP - GREY	2	193-691-630
190	AXLE	1	DF-101-122	482	CUSHION FRAME - GREY (OLD)	1	P726-482G
191	STRENGTH CABLE - (94.7")	1	P726-191	482A	KNEE FRAME - GREY (NEW)	1	P726-482AG
192	RUBBER BALL	1	091-031-631	483	SEAT POST (OLD)	1	P721-502
192R	STOPPER	1	S972-059	483A	SEAT POST (NEW)	1	P726-483A
192S	BALL CONNECTOR	1	091-013-971	484	SEAT SLEAVE	1	P712-488
192T	SCREW - I/H (M4*P0.7*L4)	2	002-204-050	485A	SEAT FRAME - GREY (NEW)	1	102-691-85K
193	CARABINEER	2	091-013-230	486	COLLAR	1	A991-12
194	SCREW - P (M4*L20)	2	002-211-070	487	AXLE	1	P712-492
195	LAT PULL COVER	1	A926-60	488	RUBBER FOOT	1	P711-414
196R	CUSHION RING	2	A911-37	489	ADJUSTMENT KNOB	1	DF-100-088
197	RUBBER GRIP	2	P726-197	490	AXLE	1	196-391-040
198	HANDLEBAR CAP	2	C521R-170	491	LAT FRAME - GREY	1	P726-491G
200	SCREW - B/H (M8*P1.25*L20)	4	002-202-040	492	AXLE	2	DF-103-426
202	WASHER - SP (M8)	4	003-302-010	493	PULLEY AXLE	1	P717-497
203	SCREW - M/H (M8*P1.25*L25)	4	002-203-061	494	SEAT CUSHION - BLACK	1	P715-490B
204	STICKER - POSITION	1	S916-195	495	SEAT CUSHION FRAME - GREY	1	S916-445
205	NUT - H/N (M8)	4	001-101-080	496	STRENGTH CABLE	1	P726-496
207	SCREW - B/H (M5*P0.8*L10)	1	002-205-510	497	RUBBER BALL	1	A971-47
208	SCREW - B/H (M5*P0.8*L10)	2	002-205-510	498	LAT HANDLEBAR	1	DF-103-433
209	SEAT POST COLLAR	1	C570U-97	499	AXLE	1	P715-489
210	AXLE PIN	1	090-513-430	500	SEAT ASSEMBLY - GREY (NEW)	1	102-691-50K
210A	PIN	1	A981-20				
211	SPACER	2	UB521M-132				
211A	WASHER - F (D17*D8.3*T1)	2	003-301-044				
212	SNAP RING - (6MM)	2	004-402-012				
213	HANDLE ATTACHMENT	1	P726-213				
216	ADJUSTMENT KNOB	1	DF-105-102				
217	SCREW - M/H (M8*P1.25*L25)	4	002-203-061				
218	WASHER - F (D17*D8.3*T2)	8	003-301-038				
219	NUT - H/N (M8)	4	001-101-080				
401	MAIN FRAME ASSEMBLY - GREY	1	102-691-10K				
402	TOP COVER ASSEMBLY	1	103-191-200				
403	TOP COVER - RIGHT	1	P711-403				
404	TOP COVER - LEFT	1	P711-404				
406	BOTTLE HOLDER	1	P711-406				
407	COVER ASSEMBLY	1	102-691-070				
409	FRONT COVER	1	P726-409				
410	BRACKET	5	P711-410				
411	MAIN FRAME - GREY	1	102-691-11K				
412	BRACKET	5	P712-412				
414	RUBBER FOOT	2	P711-414				
415	TUBE HARDWARE	2	P711-415				
416	WEIGHT STACK PLATE	1	P712-416				
417	CABLE BRACKET	1	S972-406				
418	SET FORK	1	P712-418				
420	SELECTOR FORK - W/CORD	1	A911-50				
421	SELECTOR FORK - NO CORD	1	190-591-530				
422	WEIGHT PLATE - 5KG	15	S911-419				
423	PLATE STICKER - 5-100KG (GREEN)	1	103-191-230				
424	COVER HARDWARE	3	S912-404				



CHANGE DATE	CHANGE DESCRIPTION	CHANGE NO.	NAME	 RESTRICTED USAGE , PLEASE DON'T FORWARD TO ANYONE WHO ISN'T AUTHORIZED	DRAWN BY	UNITS	MM	SALES BLOW UP DIAGRAM	DIAGRAM NO.	GCT-F101B-B	
2016.01.29	 406 水壺架組修改造型, 取消(48)(50)(52),(49)(51)變更料件	05-20150906M	蔡鴻興		VERIFIED BY	QTY	1				P726
						VERSION	B0			MODEL	
						RATIO	1/11				

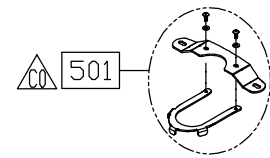
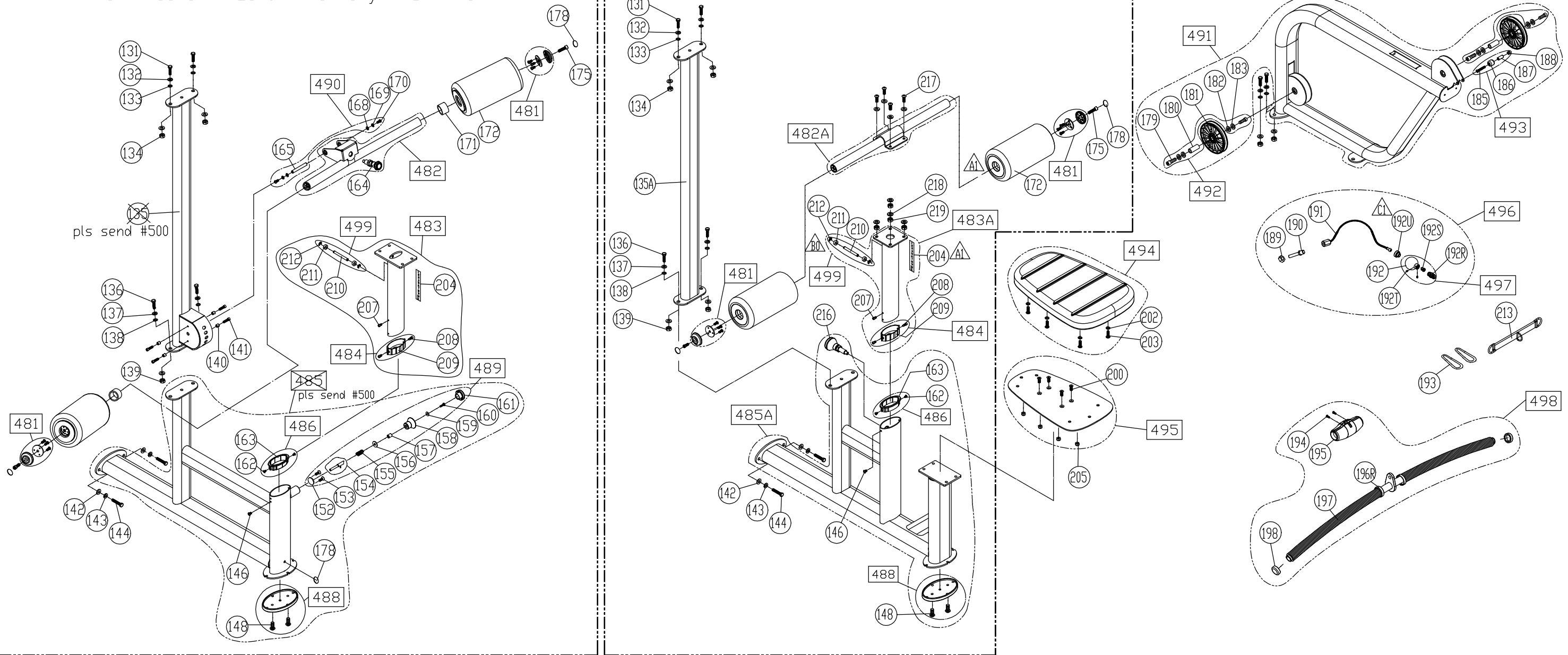
500

OLD

Please note:

Before S/N:0302124, please must order the whole set #500 for the replacement of #135 or #485 on P726 at the very first time.

NEW



CHANGE DATE	CHANGE DESCRIPTION	CHANGE NO.	NAME	 RESTRICTED USAGE , PLEASE DON'T FORWARD TO ANYONE WHO ISN'T AUTHORIZED	DRAWN BY	UNITS	MM	SALES BLOW UP DIAGRAM	DIAGRAM NO.	GCT-F101C-C	
2016.12.23	△ 新增 (192U)	05-20160503M	林士文		VERIFIED BY	QTY	1				P726
2015.11.20	△ 取消 [487], 且 [483A] 增加 [499] 料件	05-20150313M	黃永業			VERSION	C1			MODEL	
2015.12.09	△ 增加機台固定性, 故新增 [501]	05-20150313M	黃永業			RATIO	1/15				