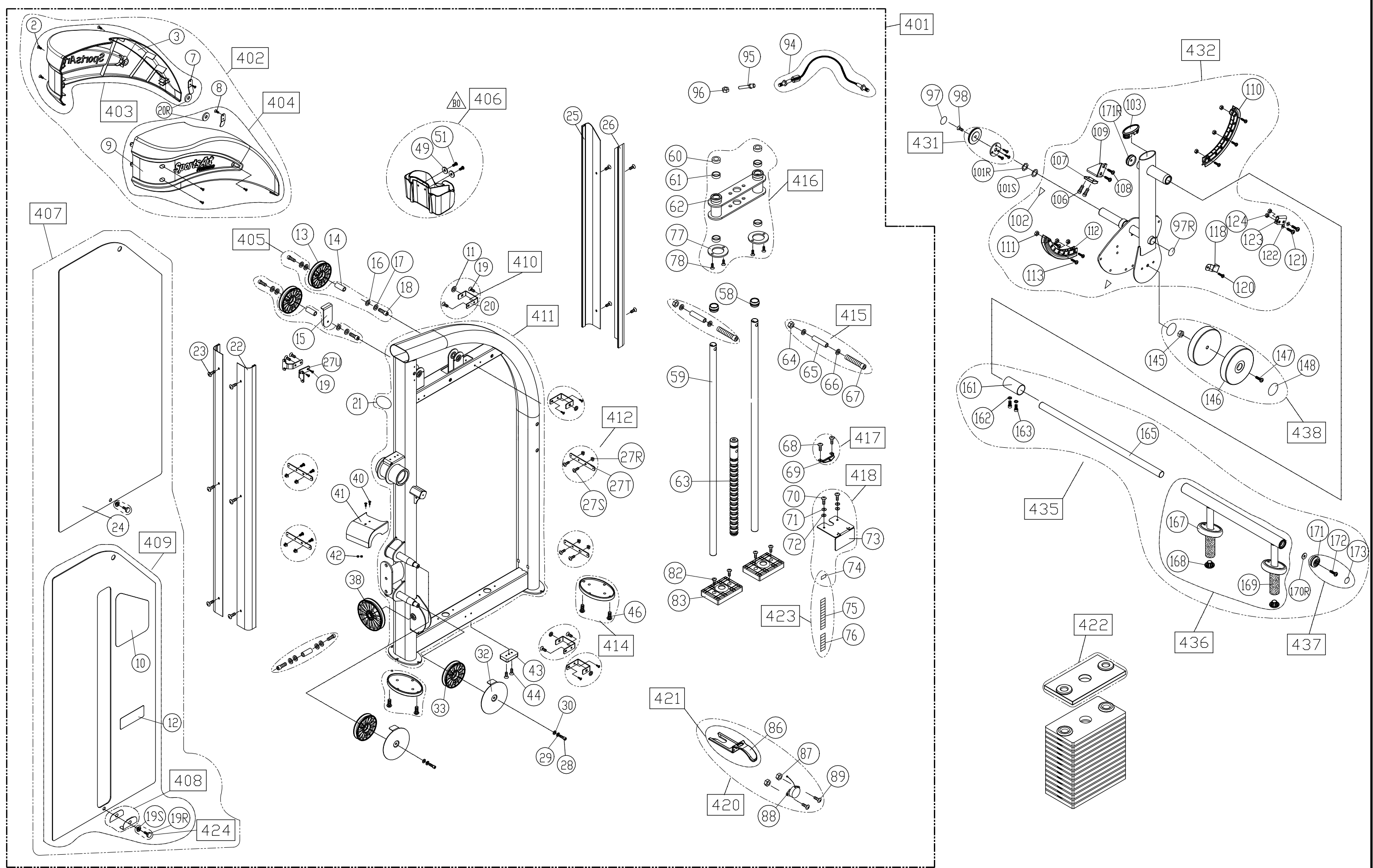


BBL	Description	QTY	Part Number	BBL	Description	QTY	Part Number
001	OWNER'S MANUAL	1	P725-001	063	16-POSITION TUBE	1	P712-063
002	SCREW - P (M6*P1.0*L12)	6	002-211-282	064	NUT - H/N (M8)	2	001-101-080
003	TOP COVER - RIGHT	1	P711-003	065	AXLE	2	005-730-010
007	BRACKET	2	105-710-150	066	WASHER - F (D17*D8.3*T2)	4	003-301-038
008	SCREW - M/P (M4*L12)	2	002-210-003	067	SCREW - H (M8*P1.25*L65)	2	002-206-068
009	TOP COVER - LEFT	1	P711-009	068	SCREW - B/H (M5*P0.8*L10)	2	002-205-510
010	STICKER - USAGE	1	P725-010	069	CABLE BRACKET	1	A911-055
011	SINGLE-SIDED TAPE	4	000-065-350	070	SCREW -B/H (M8*P1.25*L18)	2	002-205-813
012	STICKER - WARNING	1	DF-101-008	071	WASHER - SP (M8*T2.0)	2	003-302-006
013	PULLEY	2	A971-08	072	WASHER - F (D17*D8*T1.5)	2	003-301-024
014	AXLE	2	DF-100-032	073	1-PLATE BRACKET	1	196-010-16L
015	PULLEY BRACKET	1	P712-015	074	PLATE STICKER - 5KG (GREEN)	1	S912-047
016	WASHER - F (D20*D6.3*T1.5)	4	003-301-043	075	PLATE STICKER - 10-60KG (GREEN)	1	S911-048
017	WASHER - SP (M6)	4	003-302-011	076	PLATE STICKER - 65-100KG (GREEN)	1	S911-049
018	SCREW - M/H (M6*P1.0*L12)	4	002-203-027	077	GUIDE RING	2	P711-077
019	SCREW - M/H (M6*P1.0*L12)	12	002-203-027	078	SCREW - B/P (M5*L12)	4	002-207-140
019R	COVER WASHER - (D21.5*10.5)	2	DF-101-030A	082	SCREW - B/H (M6*P1.0*L15)	4	002-205-613
019S	SCREW - P (M6*P1.0*L20)	2	002-213-035	083	WEIGHT STACK CUSHION	2	P711-083
020	BRACKET	4	105-710-210	086	SELECTOR FORK - NO CORD	1	190-553-052
020R	FOAM RING	2	005-757-720	087	NUT - H (M4*P0.7)	2	001-102-090
021	STICKER - WARNING	1	DF-101-020D	088	RETRACTING CABLE	1	DF-100-021
022	COVER FRAME - GREY	2	P712-022G	089	SCREW - P (M4*P0.7*L25)	2	002-211-080
023	SCREW - M/P (M5*0.8*L8)	10	002-209-137	094	STRENGTH CABLE - (124.8")	1	P725-094
024	REAR COVER	1	P712-024	095	AXLE	1	DF-101-122
025	COVER FRAME - GREY	1	P712-025G	096	NUT - H (M10)	1	001-102-141
026	COVER FRAME - GREY	1	P712-026G	097	STICKER - ROUND	1	E850-177
027R	SCREW INSERT	8	000-076-820	097R	STICKER - ROUND	1	E875-507
027S	SCREW - M/P (M5*L15)	8	002-210-035	098	SCREW - B/H (M8*P1.25*L20)	1	002-205-820
027T	BRACKET	4	105-710-182	101R	WASHER - W (D38*D30)	1	003-303-006
027U	BRACKET	2	P717-027U	101S	WASHER - F (D40*D30.5*T1.0)	1	190-810-040
028	SCREW - M/H (M6*P1.0*L12)	2	002-203-027	102	STICKER - WARNING	1	082-063-030
029	WASHER - SP (M6)	2	003-302-011	103	END CAP	1	S912-183
030	WASHER - F (D20*D6.3*T1.5)	2	003-301-043	106	SCREW - P (M5*P0.8*L12)	2	002-211-255
032	PULLEY COVER - GREY	2	P712-032G	107	RUBBER BLOCK	1	E83-89
033	PULLEY	2	A971-08	108	SCREW - B/H (M8*P1.25*L20)	2	002-220-821
038	PULLEY	1	A971-08	109	STOPPER	1	P712-109
040	SCREW - M/H (M6*P1.0*L15)	2	002-203-023	110	CAM PLASTIC COVER	1	P712-110
041	SMALL COVER - GREY	1	P712-041G	111	NUT - H/N (M5*P0.8)	6	001-101-060
042	BUSHING	2	DF-103-091	112	CAM PLASTIC COVER	1	P712-112
043	RUBBER CUSHION	1	A951-84	113	SCREW - M/H (M5*L16)	6	002-203-052
044	SCREW - P (M5*P0.8*L12)	2	002-211-255	118	BRACKET	1	P712-118
046	PASTIC RIVET	4	000-076-990	120	SCREW - M/H (M6*P1.0*L10)	1	002-220-612
049	WASHER - F (D27*D6.3*T3.0)	2	003-301-008	121	SCREW - M/H (M6*P1.0*L20)	2	T645-566
050	BOTTLE HOLDER (NEW STYLE)	1	090-530-500	122	WASHER - SP (M6*T1.5)	2	003-302-002
050T	SCREW - M/P (M4*L12)	4	002-210-003	123	CABLE BLOCK	1	DF-100-067
051	SCREW - M/H (M5*L20)	2	002-203-051	124	NUT - H/N (M6*P1.0*6)	2	001-101-071
058	BUSHING	2	A911-36	145	NUT - H/N (M10)	1	001-101-030
059	STACK GUIDE TUBE	2	P712-059	146	WEIGHT PLATE - 4KG	2	DF-108-099
060	CUSHION RING	2	A911-37	147	SCREW - B/H (M10*L45)	1	002-205-340
061	GUIDE RING	4	A911-38	148	STICKER - ROUND	2	P731-148
062	UPPER COUNTERWEIGHT	1	S915-029	161	RUBBER COVER	1	P712-161

BBL	Description	QTY	Part Number	BBL	Description	QTY	Part Number
162	WASHER - SP (M8)	2	003-302-010	238	WASHER - SP (M10)	4	003-302-008
163	SCREW - B/H (M8*P1.25*L20)	2	002-205-820	239	SCREW - H (M10*P1.5*L130)	4	002-206-082
165	HANDLE AXLE	1	DF-105-079	240	FRAME CONNECTOR - GREY	1	P725-240G
167	RUBBER GRIP RING	2	P725-167	241	CONNECTOR PLATE - GREY	1	P711-192G
168	HANDLEBAR CAP	2	C521R-170	243	WASHER - SP (M8)	6	003-302-010
169	RUBBER GRIP	2	P725-169	244	SCREW - M/H (M8*P1.25*L25)	6	002-203-061
170R	WASHER - W (D33*D26)	1	003-303-004	248	PASTIC RIVET	6	000-076-990
171	END CAP	1	092-315-030	249	ARM REST FABRIC - BLACK	2	092-585-015
171R	END CAP	1	6300-84	250	VELCRO - SHORT	2	S912-227
172	SCREW - M/H (M8*P1.25*L25)	1	002-203-061	250R	VELCRO - LONG	1	S912-227R
173	STICKER - ROUND	1	E850-177	257	FRAME - GREY	1	P712-257G
186	SCREW - B/H (M5*P0.8*L10)	1	002-205-510	258	NUT - H/N (M10)	4	001-101-030
187R	STICKER - SEAT ADJUSTMENT	1	P715-194	259	SCREW - H (M10*P1.5*L30)	2	002-206-084
188	SEAT POST COLLAR	1	C570U-97	260	FOREARM CUSHION - BLACK	1	P712-260B
189	SCREW - B/H (M5*P0.8*L10)	2	002-205-510	401	MAIN FRAME ASSEMBLY - GREY	1	102-591-10K
190	END CAP	1	A991-09	402	TOP COVER ASSEMBLY	1	103-191-200
191	PIN	1	A981-20	403	TOP COVER - RIGHT	1	P711-403
192	WASHER - F (D17*D8.3*T1)	2	003-301-044	404	TOP COVER - LEFT	1	P711-404
193	SNAP RING - (6MM)	2	004-402-012	405	AXLE	3	DF-103-426
195	SCREW - M/H (M6*P1.0*L8)	1	002-203-022	406	BOTTLE HOLDER	1	P711-406
196	SCREW - M/H (M4*P0.7*L8)	2	002-209-143	407	COVER ASSEMBLY	1	102-591-070
197	TUBE SHEATH	1	DF-100-094	408	BRACKET	1	P712-408
198	ADJUSTMENT KNOB	1	DF-105-102	409	FRONT COVER	1	P725-409
199	ADJUSTMENT KNOB CAP	1	092-130-060	410	BRACKET	4	P711-410
200	SCREW - P (M4*P0.7*L14)	1	002-211-067	411	MAIN FRAME - GREY	1	102-591-11K
201	WASHER - F (D12*D4.2 T1.0)	1	003-301-018	412	BRACKET	4	P712-412
202	ADJUSTMENT KNOB	1	092-130-071	414	RUBBER FOOT	2	P711-414
203	SPACER	1	053-213-082	415	TUBE HARDWARE	2	P711-415
203R	WASHER - W (D11*D6.4)	1	003-303-010	416	WEIGHT STACK PLATE	1	P712-416
204	O-RING	1	000-076-690	417	CABLE BRACKET	1	S972-406
205	SPRING	1	DF-101-135	418	SET FORK	1	P712-418
206	PIN	1	053-251-024	420	SELECTOR FORK - W/CORD	1	A911-50
207	SCREW - B/P (M4*12)	2	002-207-130	421	SELECTOR FORK - NO CORD	1	190-591-530
208	STOPPER PLATE	1	153-210-330	422	WEIGHT PLATE - 5KG	15	S911-419
209	PIN	1	A981-20	423	PLATE STICKER - 5-100KG (GREEN)	1	103-191-230
210	WASHER - F (D17*D8.3*T1)	2	003-301-044	424	COVER HARDWARE	2	S912-404
211	SNAP RING - (6MM)	2	004-402-012	431	END CAP - GREY	1	S915-479
220	SCREW - M/H (M6*P1.0*L8)	1	002-203-022	432	CAM - GREY	1	P725-432G
221	SCREW - M/H (M4*P0.7*L8)	2	002-209-143	435	HANDLEBAR - GREY	1	102-591-35K
222	TUBE SHEATH	1	DF-100-094	436	HANDLE - GREY	1	P725-436G
223	SEAT POST COLLAR	1	C570U-97	437	END CAP	1	DF-105-083
224	SCREW - B/H (M5*P0.8*L10)	2	002-205-510	438	WEIGHT PLATE - 4KG	1	193-691-690
226	SCREW - B/H (M5*P0.8*L10)	1	002-205-510	481	ELBOW PAD - BLACK	1	A912-48B
228	NUT - H/N (M8)	4	001-101-080	482	CONNECTOR PLATE - GREY	1	P712-482G
229	STICKER - POSITION	1	DF-103-208	483	ELBOW FRAME - GREY	1	P712-483G
230	SCREW - M/H (M8*P1.25*L25)	4	002-203-061	484	RUBBER FOOT	3	P711-414
231	WASHER - SP (M8)	4	003-302-010	485	SEAT CUSHION - BLACK	2	P712-485B
233	SCREW - B/H (M8*P1.25*L20)	4	002-202-040	486	SEAT CUSHION FRAME - GREY	2	S912-472
235	NUT - H/N (M10)	4	001-101-030	487	SEAT POST	1	P712-487
236	WASHER - F (D16*D10.2*T1.0)	8	003-301-141	488	SEAT SLEAVE	2	P712-488
237	CONNECTOR PLATE - GREY	1	P711-192G	489	CONNECTING PLATE - GREY	1	P725-489G

BBL	Description	QTY	Part Number	BBL	Description	QTY	Part Number
490	SEAT FRAME - GREY	1	102-591-90K				
491	COLLAR	2	A991-12				
492	AXLE	2	P712-492				
493	ADJUSTMENT KNOB	1	DF-100-088				
496	SEAT POST	1	P725-496				
498	SEAT BACK FRAME - GREY	1	P725-498G				



CHANGE DATE	CHANGE DESCRIPTION	CHANGE NO.	NAME	SALES BLOW UP DIAGRAM	UNITS	MM	DIAGRAM NO.	MODEL
2016.01.29	△ 406 水壺架組修改造型, 取消(48)(50)(52), (49)(51)變更料件	05-20150906M	蔡鴻興	GCN-F101B-B	QTY	1		P725
					VERSION	B0		
					RATIO	1/13		

SportsArt
FITNESS

RESTRICTED USAGE,
PLEASE DON'T FORWARD TO ANYONE WHO ISN'T AUTHORIZED

DRAWN BY

VERIFIED BY

UNITS

MM

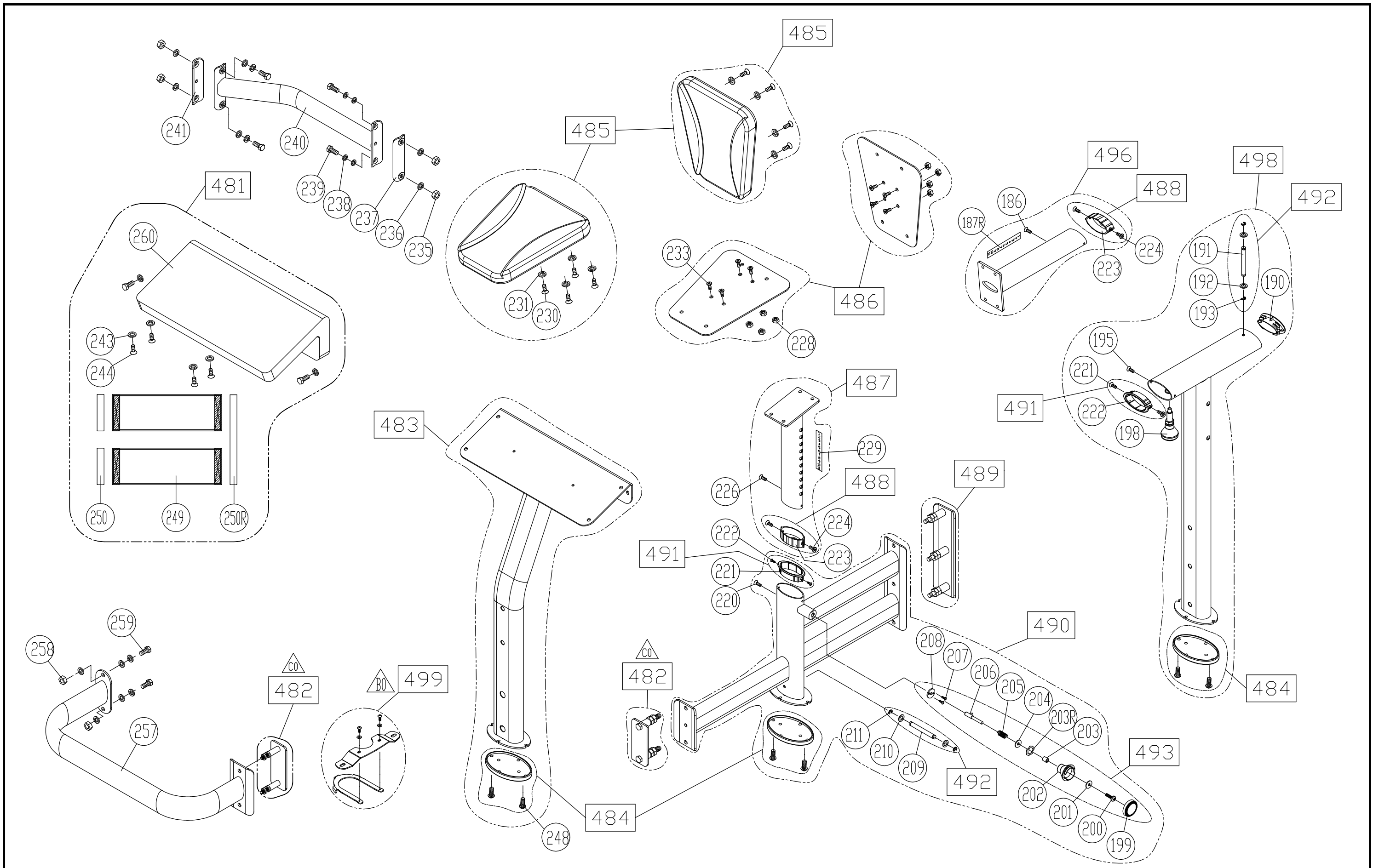
SALES BLOW UP DIAGRAM

DIAGRAM NO.

MODEL

GCN-F101B-B

P725



CHANGE DATE	CHANGE DESCRIPTION	CHANGE NO.	NAME	 RESTRICTED USAGE , PLEASE DON'T FORWARD TO ANYONE WHO ISN'T AUTHORIZED	DRAWN BY	UNITS	MM	SALES BLOW UP DIAGRAM	DIAGRAM NO.	GCN-F101C-C	
2015.12.09	 增加機台固定性, 故新增 	05-20151205M	鄭宜峰			QTY	1				P725
2016.10.27	 修改 	05-20161013M	張又仁			VERSION	C0	XX		MODEL	
						VERIFIED BY	RATIO	1:10			