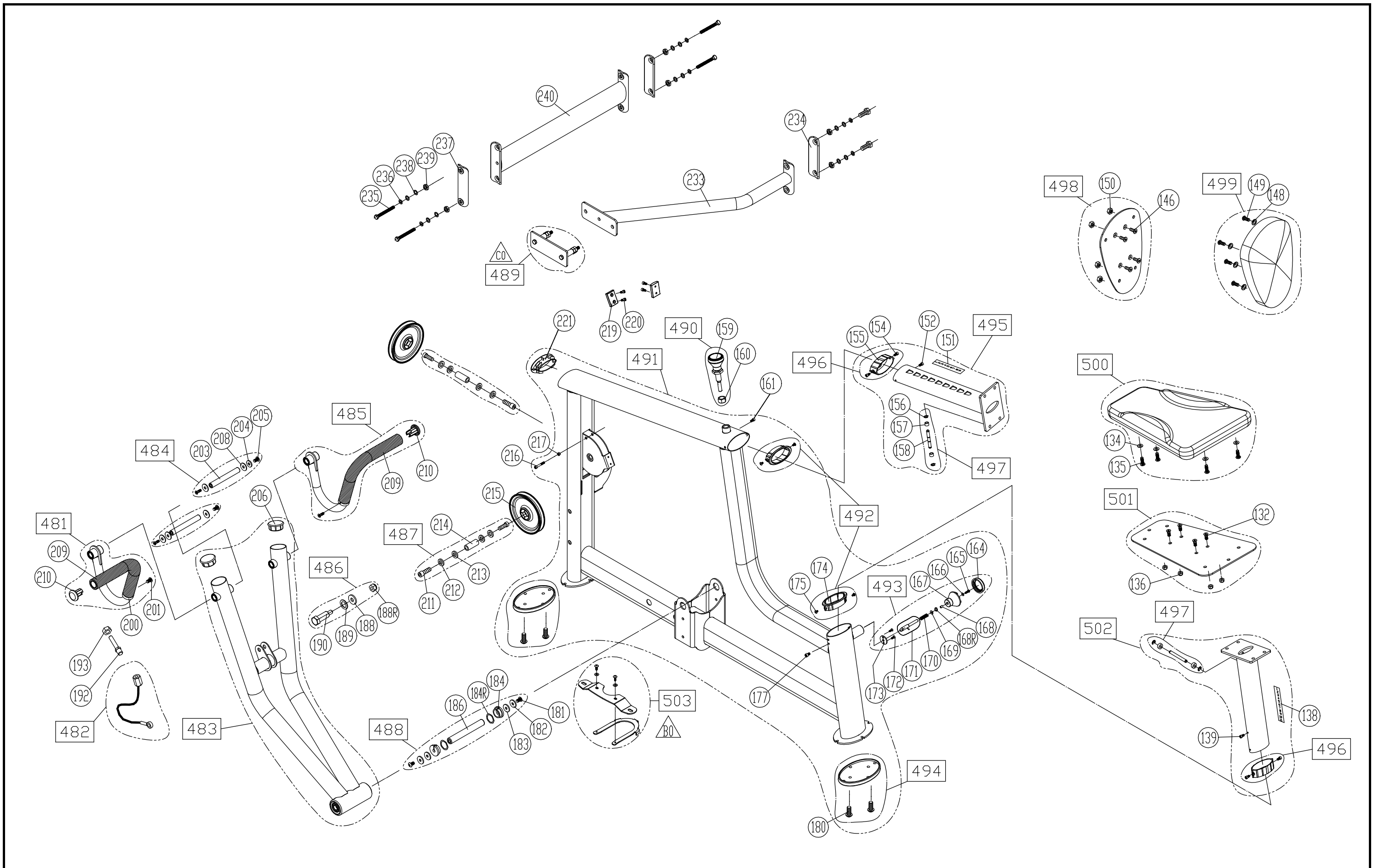


BBL	Description	QTY	Part Number	BBL	Description	QTY	Part Number
001	OWNER'S MANUAL	1	P721-001	072	WASHER - F (D17*D8*T1.5)	2	003-301-024
002	SCREW - P (M6*P1.0*L12)	6	002-211-282	073	1-PLATE BRACKET	1	196-010-16L
003	TOP COVER - RIGHT	1	P711-003	074	PLATE STICKER - 5KG (GREEN)	1	S912-047
007	BRACKET	2	105-710-150	075	PLATE STICKER - 10-60KG (GREEN)	1	S911-048
008	SCREW - M/P (M4*L12)	2	002-210-003	076	PLATE STICKER - 65-100KG (GREEN)	1	S911-049
009	TOP COVER - LEFT	1	P711-009	077	GUIDE RING	2	P711-077
010	STICKER - USAGE	1	P721-010	078	SCREW - B/P (M5*L12)	4	002-207-140
011	SINGLE-SIDED TAPE	4	000-065-350	082	SCREW - B/H (M6*P1.0*L15)	4	002-205-613
012	STICKER - WARNING	1	DF-101-008	083	WEIGHT STACK CUSHION	2	P711-083
013	PULLEY	2	A971-08	086	SELECTOR FORK - NO CORD	1	190-553-052
014	AXLE	2	DF-100-032	087	NUT - H (M4*P0.7)	2	001-102-090
015	PULLEY BRACKET	1	P712-015	088	RETRACTING CABLE	1	DF-100-021
016	WASHER - F (D20*D6.3*T1.5)	4	003-301-043	089	SCREW - P (M4*P0.7*L25)	2	002-211-080
017	WASHER - SP (M6)	4	003-302-011	132	SCREW - B/H (M8*P1.25*L20)	4	002-202-040
018	SCREW - M/H (M6*P1.0*L12)	4	002-203-027	134	WASHER - SP (M8)	4	003-302-010
019	SCREW - M/H (M6*P1.0*L12)	12	002-203-027	135	SCREW - M/H (M8*P1.25*L25)	4	002-203-061
019R	COVER WASHER - (D21.5*10.5)	2	DF-101-030A	136	NUT - H/N (M8)	4	001-101-080
019S	SCREW - P (M6*P1.0*L20)	2	002-213-035	138	STICKER - POSITION	1	DF-103-208
020	BRACKET	4	105-710-210	139	SCREW - B/H (M5*P0.8*L10)	1	002-205-510
020R	FOAM RING	2	005-757-720	140	SEAT POST COLLAR	1	C570U-97
021	STICKER - WARNING	1	DF-101-020D	141	SCREW - B/H (M5*P0.8*L10)	2	002-205-510
022	COVER FRAME - GREY	2	P712-022G	142	SNAP RING - (6MM)	2	004-402-012
023	SCREW - M/P (M5*0.8*L8)	10	002-209-137	143	SPACER	2	UB521M-132
024	REAR COVER	1	P712-024	144	AXLE PIN	1	090-513-430
025	COVER FRAME - GREY	1	P712-025G	146	SCREW - B/H (M8*P1.25*L20)	4	002-202-040
026	COVER FRAME - GREY	1	P712-026G	148	WASHER - SP (M8)	4	003-302-010
027R	SCREW INSERT	8	000-076-820	149	SCREW - M/H (M8*P1.25*L25)	4	002-203-061
027S	SCREW - M/P (M5*L15)	8	002-210-035	150	NUT - H/N (M8)	4	001-101-080
027T	BRACKET	4	105-710-182	151	STICKER - SEAT ADJUSTMENT	1	P715-194
027U	BRACKET	2	P717-027U	152	SCREW - B/H (M5*P0.8*L10)	1	002-205-510
038	PULLEY	1	A971-08	154	SCREW - B/H (M5*P0.8*L10)	2	002-205-510
043	RUBBER CUSHION	1	A951-84	155	SEAT POST COLLAR	1	C570U-97
044	SCREW - P (M5*P0.8*L12)	2	002-211-255	156	SNAP RING - (6MM)	2	004-402-012
046	PASTIC RIVET	4	000-076-990	157	SPACER	2	UB521M-132
050	BOTTLE HOLDER (NEW STYLE)	1	090-530-500	158	AXLE PIN	1	090-513-430
050T	SCREW - M/P (M4*L12)	4	002-210-003	159	ADJUSTMENT KNOB	1	DF-105-102
051	SCREW - M/H (M5*L20)	2	002-203-051	160	NUT - H (M16*P1.5*T13)	1	001-102-113
058	BUSHING	2	A911-36	161	SCREW - M/H (M6*P1.0*L8)	1	002-203-022
059	STACK GUIDE TUBE	2	P712-059	164	ADJUSTMENT KNOB CAP	1	092-130-060
060	CUSHION RING	2	A911-37	165	SCREW - P (M4*P0.7*L14)	1	002-211-067
061	GUIDE RING	4	A911-38	166	WASHER - F (D12*D4.2 T1.0)	1	003-301-018
062	UPPER COUNTERWEIGHT	1	S915-029	167	ADJUSTMENT KNOB	1	092-130-071
063	16-POSITION TUBE	1	P712-063	168	SPACER	1	053-213-082
064	NUT - H/N (M8)	2	001-101-080	168R	WASHER - W (D11*D6.4)	1	003-303-010
065	AXLE	2	005-730-010	169	O-RING	1	000-076-690
066	WASHER - F (D17*D8.3*T2)	4	003-301-038	170	SPRING	1	DF-101-135
067	SCREW - H (M8*P1.25*L65)	2	002-206-068	171	PIN	1	053-251-024
068	SCREW - B/H (M5*P0.8*L10)	2	002-205-510	172	SCREW - B/P (M4*12)	2	002-207-130
069	CABLE BRACKET	1	A911-055	173	STOPPER PLATE	1	153-210-330
070	SCREW -B/H (M8*P1.25*L18)	2	002-205-813	174	TUBE SHEATH	1	DF-100-094
071	WASHER - SP (M8*T2.0)	2	003-302-006	175	SCREW - M/H (M4*P0.7*L8)	2	002-209-143

BBL	Description	QTY	Part Number	BBL	Description	QTY	Part Number
177	SCREW - M/H (M6*P1.0*L8)	1	002-203-022	411	MAIN FRAME - GREY	1	102-191-11K
180	PASTIC RIVET	4	000-076-990	412	BRACKET	4	P712-412
181	SCREW - B/H (M8*P1.25*L20)	2	002-205-820	414	RUBBER FOOT	2	P711-414
182	WASHER - SP (M8)	2	003-302-010	415	TUBE HARDWARE	2	P711-415
183	WASHER - F (D26*D8.3*T3)	2	003-301-027	416	WEIGHT STACK PLATE	1	P712-416
184	BUSHING	2	DF-101-091B	417	CABLE BRACKET	1	S972-406
184R	WASHER - W (D33*D26)	2	003-303-004	418	SET FORK	1	P712-418
186	AXLE	1	DF-101-091A	420	SELECTOR FORK - W/CORD	1	A911-50
188	WASHER - F (D20*D6.3*T1.5)	1	003-301-043	421	SELECTOR FORK - NO CORD	1	190-591-530
188R	NUT - H/N (M5*P0.8)	1	001-101-070	422	WEIGHT PLATE - 5KG	15	S911-419
189	WASHER - F (D16*D10.2*T1.0)	1	003-301-141	423	PLATE STICKER - 5-100KG (GREEN)	1	103-191-230
190	AXLE	1	001-513-240	424	COVER HARDWARE	2	S912-404
192	AXLE	1	DF-101-122	481	HANDLE - LEFT - GREY	1	P721-481G
193	NUT - H (M10)	1	001-102-141	482	STRENGTH CABLE	1	P721-482
200	RING	2	095-113-260	483	YOKE SET - GREY	1	P721-483G
201	SCREW - I/H (M4*P0.7*L4)	2	002-204-050	484	AXLE	2	P721-484
203	AXLE	2	002-113-110	485	HANDLE - RIGHT - GREY	1	P721-485G
204	WASHER - F (D26*D8.5*T2)	4	003-301-033	486	PULLEY HARDWARE	1	P715-496
205	SCREW - M/H (M8*P1.25*L15)	4	C572R-132	487	AXLE	2	DF-103-426
206	GLIDE RAIL ENDCAP	2	E875-447	488	YOKE HANDWARE	1	P721-488
208	WASHER - (D25*D17.2*T1.0)	2	003-301-106	489	CONNECTOR PLATE - GREY	1	P712-482G
209	RUBBER GRIP	2	P721-209	490	ADJUSTMENT KNOB	1	P721-490
210	HANDLEBAR CAP	2	C521R-170	491	MAIN FRAME - GREY	1	102-191-91K
211	SCREW - M/H (M6*P1.0*L12)	4	002-203-027	492	COLLAR	2	A991-12
212	WASHER - SP (M6)	4	003-302-011	493	ADJUSTMENT KNOB	1	DF-100-088
213	WASHER - F (D20*D6.3*T1.5)	4	003-301-043	494	RUBBER FOOT	2	P711-414
214	AXLE	2	DF-100-032	495	SEAT POST	1	P721-495
215	PULLEY	2	A971-08	496	SEAT SLEAVE	2	P712-488
216	SCREW - H (M5*P0.8*L35)	1	002-230-531	497	AXLE	2	P715-489
217	NUT - (M5*0.8)	1	001-103-021	498	CHEST PAD FRAME - GREY	1	P721-498G
219	RUBBER BLOCK	2	E83-89	499	CHEST CUSHION - BLACK	1	A955-05B
220	SCREW - P (M5*P0.8*L8)	4	002-211-252	500	SEAT CUSHION - BLACK	1	P715-490B
221	END CAP	1	A991-09	501	SEAT CUSHION FRAME - GREY	1	S916-445
233	CONNECTING FRAME - GREY	1	P721-233G	502	SEAT POST	1	P721-502
234	CONNECTOR PLATE - GREY	1	P715-154G				
235	SCREW - H (M10*P1.5*L130)	6	002-206-082				
236	WASHER - SP (M10)	6	003-302-008				
237	CONNECTOR PLATE - GREY	2	P711-192G				
238	WASHER - F (D16*D10.2*T1.0)	12	003-301-141				
239	NUT - H/N (M10)	8	001-101-030				
240	CONNECTING FRAME - GREY	1	P721-240G				
401	MAIN FRAME ASSEMBLY - GREY	1	102-191-10K				
402	TOP COVER ASSEMBLY	1	103-191-200				
403	TOP COVER - RIGHT	1	P711-403				
404	TOP COVER - LEFT	1	P711-404				
405	AXLE	3	DF-103-426				
406	BOTTLE HOLDER	1	P711-406				
407	COVER ASSEMBLY	1	102-191-070				
408	BRACKET	1	P712-408				
409	FRONT COVER	1	P721-409				
410	BRACKET	4	P711-410				





CHANGE DATE	CHANGE DESCRIPTION	CHANGE NO.	NAME	<b>SportsArt</b> <b>FITNESS</b> RESTRICTED USAGE , PLEASE DON'T FORWARD TO ANYONE WHO ISN'T AUTHORIZED	DRAWN BY	UNITS	MM	SALES BLOW UP DIAGRAM	DIAGRAM NO.	GCK-F101C-C		
2015.12.09	增加機台固定性, 故新增 503	05-20151205M	鄭宜峰			QTY	1					P721
2016.10.27	489	05-20161013M	張又仁			VERSION	C0		XX		MODEL	
						RATIO	1:11					