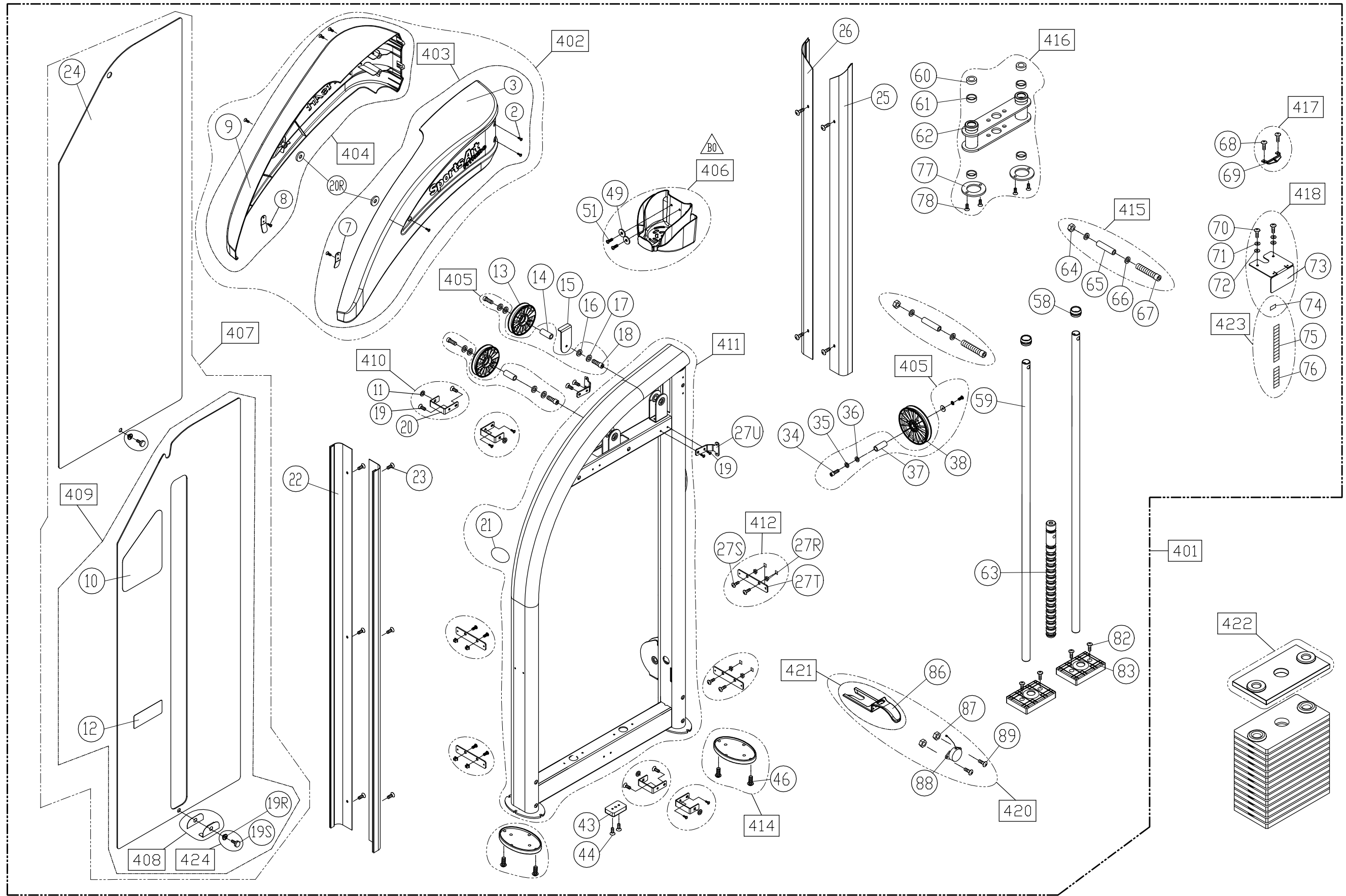


BBL	Description	QTY	Part Number	BBL	Description	QTY	Part Number
001	OWNER'S MANUAL	1	P717-001	071	WASHER - SP (M8*T2.0)	2	003-302-006
002	SCREW - P (M6*P1.0*L12)	6	002-211-282	072	WASHER - F (D17*D8*T1.5)	2	003-301-024
003	TOP COVER - RIGHT	1	P711-003	073	1-PLATE BRACKET	1	196-010-16L
007	BRACKET	2	105-710-150	074	PLATE STICKER - 5KG (GREEN)	1	S912-047
008	SCREW - M/P (M4*L12)	2	002-210-003	075	PLATE STICKER - 10-60KG (GREEN)	1	S911-048
009	TOP COVER - LEFT	1	P711-009	076	PLATE STICKER - 65-100KG (GREEN)	1	S911-049
010	STICKER - USAGE	1	P717-010	077	GUIDE RING	2	P711-077
011	SINGLE-SIDED TAPE	4	000-065-350	078	SCREW - B/P (M5*L12)	4	002-207-140
012	STICKER - WARNING	1	DF-101-008	082	SCREW - B/H (M6*P1.0*L15)	4	002-205-613
013	PULLEY	2	A971-08	083	WEIGHT STACK CUSHION	2	P711-083
014	AXLE	2	DF-100-032	086	SELECTOR FORK - NO CORD	1	190-553-052
015	PULLEY BRACKET	1	P712-015	087	NUT - H (M4*P0.7)	2	001-102-090
016	WASHER - F (D20*D6.3*T1.5)	4	003-301-043	088	RETRACTING CABLE	1	DF-100-021
017	WASHER - SP (M6)	4	003-302-011	089	SCREW - P (M4*P0.7*L25)	2	002-211-080
018	SCREW - M/H (M6*P1.0*L12)	4	002-203-027	131	ADJUSTMENT KNOB CAP	1	092-130-060
019	SCREW - M/H (M6*P1.0*L12)	12	002-203-027	132	SCREW - P (M4*P0.7*L14)	1	002-211-067
019R	COVER WASHER - (D21.5*10.5)	2	DF-101-030A	133	WASHER - F (D12*D4.2 T1.0)	1	003-301-018
019S	SCREW - P (M6*P1.0*L20)	2	002-213-035	134	ADJUSTMENT KNOB	1	092-130-071
020	BRACKET	4	105-710-210	135	SPACER	1	053-213-082
020R	FOAM RING	2	005-757-720	135R	WASHER - W (D11*D6.4)	1	003-303-010
021	STICKER - WARNING	1	DF-101-020D	136	O-RING	1	000-076-690
022	COVER FRAME - GREY	2	P712-022G	137	SCREW - B/P (M4*12)	2	002-207-130
023	SCREW - M/P (M5*0.8*L8)	10	002-209-137	138	STOPPER PLATE	1	153-210-330
024	REAR COVER	1	P712-024	139	SPRING	1	DF-101-135
025	COVER FRAME - GREY	1	P712-025G	140	PIN	1	053-251-024
026	COVER FRAME - GREY	1	P712-026G	141	TUBE SHEATH	1	DF-100-094
027R	SCREW INSERT	8	000-076-820	142	SCREW - M/H (M4*P0.7*L8)	2	002-209-143
027S	SCREW - M/P (M5*L15)	8	002-210-035	145	PASTIC RIVET	6	000-076-990
027T	BRACKET	4	105-710-182	153	SCREW - B/H (M5*P0.8*L10)	2	002-205-510
027U	BRACKET	2	P717-027U	154	SEAT POST COLLAR	1	C570U-97
038	PULLEY	1	A971-08	155	SCREW - B/H (M5*P0.8*L10)	1	002-205-510
043	RUBBER CUSHION	1	A951-84	156	STICKER - POSITION	1	DF-103-208
044	SCREW - P (M5*P0.8*L12)	2	002-211-255	158	NUT - H/N (M8)	4	001-101-080
046	PASTIC RIVET	4	000-076-990	159	SCREW - M/H (M8*P1.25*L25)	4	002-203-061
049	WASHER - F (D27*D6.3*T3.0)	2	003-301-008	160	WASHER - SP (M8)	4	003-302-010
050	BOTTLE HOLDER (NEW STYLE)	1	090-530-500	162	SCREW - B/H (M8*P1.25*L20)	4	002-202-040
050T	SCREW - M/P (M4*L12)	4	002-210-003	164	SCREW - M/H (M6*P1.0*L8)	1	002-203-022
051	SCREW - M/H (M5*L20)	2	002-203-051	165	SNAP RING - (6MM)	2	004-402-012
058	BUSHING	2	A911-36	166	PIN	1	A981-20
059	STACK GUIDE TUBE	2	P712-059	167	WASHER - F (D17*D8.3*T1)	1	003-301-044
060	CUSHION RING	2	A911-37	171	WASHER - F (D17*D8.3*T2)	8	003-301-038
061	GUIDE RING	4	A911-38	173	BOLT - H (10MM M8*L20)	8	002-206-073
062	UPPER COUNTERWEIGHT	1	S915-029	174R	STICKER - WARNING	1	P717-174R
063	16-POSITION TUBE	1	P712-063	175	PULLEY	1	A971-08
064	NUT - H/N (M8)	2	001-101-080	176	AXLE	1	DF-100-032
065	AXLE	2	005-730-010	177	WASHER - F (D20*D6.3*T1.5)	2	003-301-043
066	WASHER - F (D17*D8.3*T2)	4	003-301-038	178	WASHER - SP (M6)	2	003-302-011
067	SCREW - H (M8*P1.25*L65)	2	002-206-068	179	SCREW - M/H (M6*P1.0*L12)	2	002-203-027
068	SCREW - B/H (M5*P0.8*L10)	2	002-205-510	180	SCREW - B/H (M8*P1.25*L20)	2	002-205-820
069	CABLE BRACKET	1	A911-055	181	WASHER - SP (M8)	2	003-302-010
070	SCREW -B/H (M8*P1.25*L18)	2	002-205-813	182	WASHER - F (D26*D8.5*T2)	2	003-301-033

BBL	Description	QTY	Part Number	BBL	Description	QTY	Part Number
183	AXLE	1	096-813-050	408	BRACKET	1	P712-408
184	CAP	2	DF-100-039	409	FRONT COVER	1	P717-409
186	SCREW - M/H (M6*P1.0*L40)	1	002-203-042	410	BRACKET	4	P711-410
187	AXLE	1	015-130-020	411	MAIN FRAME - GREY	1	101-791-11K
188	BUSHING	1	A93-30	412	BRACKET	4	P712-412
189	NUT - H/N (M5*P0.8)	1	001-101-070	414	RUBBER FOOT	2	P711-414
190	SCREW - M/H (M6*P1.0*L12)	2	002-203-027	415	TUBE HARDWARE	2	P711-415
191	WASHER - SP (M6)	2	003-302-011	416	WEIGHT STACK PLATE	1	P712-416
192	WASHER - F (D20*D6.3*T1.5)	2	003-301-043	417	CABLE BRACKET	1	S972-406
193	AXLE	1	DF-100-032	418	SET FORK	1	P712-418
194	PULLEY	1	A971-08	420	SELECTOR FORK - W/CORD	1	A911-50
195	WASHER - F (D22*D8.2*T2)	4	003-301-042	421	SELECTOR FORK - NO CORD	1	190-591-530
196	WASHER - SP (M8)	4	003-302-010	422	WEIGHT PLATE - 5KG	15	S911-419
197	SCREW - M/H (M8*P1.25*L25)	4	002-203-061	423	PLATE STICKER - 5-100KG (GREEN)	1	103-191-230
198	SCREW - P (M5*P0.8*L12)	2	002-211-255	424	COVER HARDWARE	2	S912-404
199	RUBBER BLOCK	1	A912-50	481	SEAT CUSHION - BLACK	1	P712-485B
200	BEARING	2	XT20-DB028	482	SEAT CUSHION FRAME - GREY	1	S912-472
202	NUT - H/N (M10)	10	001-101-030	483	SEAT POST	1	DF-103-420
203	WASHER - F (D16*D10.2*T1.0)	16	003-301-141	484	SEAT SLEAVE	1	P712-488
204	CONNECTOR PLATE - GREY	2	P711-192G	485	SEAT FRAME - GREY	1	P717-485G
205	WASHER - SP (M10)	8	003-302-008	486	ADJUSTMENT KNOB	1	DF-100-088
206	SCREW - H (M10*P1.5*L130)	8	002-206-082	487	COLLAR	1	A991-12
207	CONNECTING FRAME - GREY	1	P717-207G	488	AXLE	1	P712-492
207R	CONNECTOR PLATE - GREY	2	P715-154G	489	RUBBER FOOT	3	P711-414
208	CONNECTING FRAME - GREY	1	P717-208G	490	CONNECTOR PLATE - GREY	1	196-891-16K
209	SCREW - M/H (M8*P1.25*L15)	1	C572R-132	491	YOKE PRESS - GREY	1	P717-491G
209R	WASHER - F (D26*D8.5*T2)	1	003-301-033	492	AXLE	1	DF-103-426
209T	BUSHING	2	A956-105	493	HANDLE - RIGHT	1	P717-493
210	WASHER - F (D20*D6.3*T1.5)	2	003-301-043	494	HANDLE - LEFT	1	P717-494
210R	NUT - H/N (M5*P0.8)	1	001-101-070	495	YOKE PRESS AXLE	1	P715-497
211	AXLE	1	001-513-240	496	MAIN FRAME - GREY	1	101-791-96K
212	WASHER - F (D16*D10.2*T1.0)	1	003-301-141	497	PULLEY AXLE	1	P717-497
213	STRENGTH CABLE - (204.5")	1	P717-213	498	BACK CUSHION - BLACK	1	P715-494B
214	AXLE	1	DF-101-122	499	AXLE	1	DF-103-426
215	NUT - H (M10)	1	001-102-141	500	CABLE BRACKET	1	P717-500
217	WASHER - F (D16*D10.2*T1.0)	2	003-301-141	501	PULLEY HARDWARE	1	P715-496
218	WASHER - SP (M10)	2	003-302-008				
219	SCREW - H (M10*P1.5*L30)	2	002-206-084				
220	CONNECTING FRAME - GREY	1	P717-220G				
221	SCREW - H (M10*P1.5*L130)	2	002-206-082				
222	WASHER - SP (M10)	2	003-302-008				
223	CONNECTOR PLATE - GREY	1	P711-192G				
224	WASHER - F (D16*D10.2*T1.0)	4	003-301-141				
225	NUT - H/N (M10)	2	001-101-030				
401	MAIN FRAME ASSEMBLY - GREY	1	101-791-10K				
402	TOP COVER ASSEMBLY	1	103-191-200				
403	TOP COVER - RIGHT	1	P711-403				
404	TOP COVER - LEFT	1	P711-404				
405	AXLE	3	DF-103-426				
406	BOTTLE HOLDER	1	P711-406				
407	COVER ASSEMBLY	1	101-791-070				



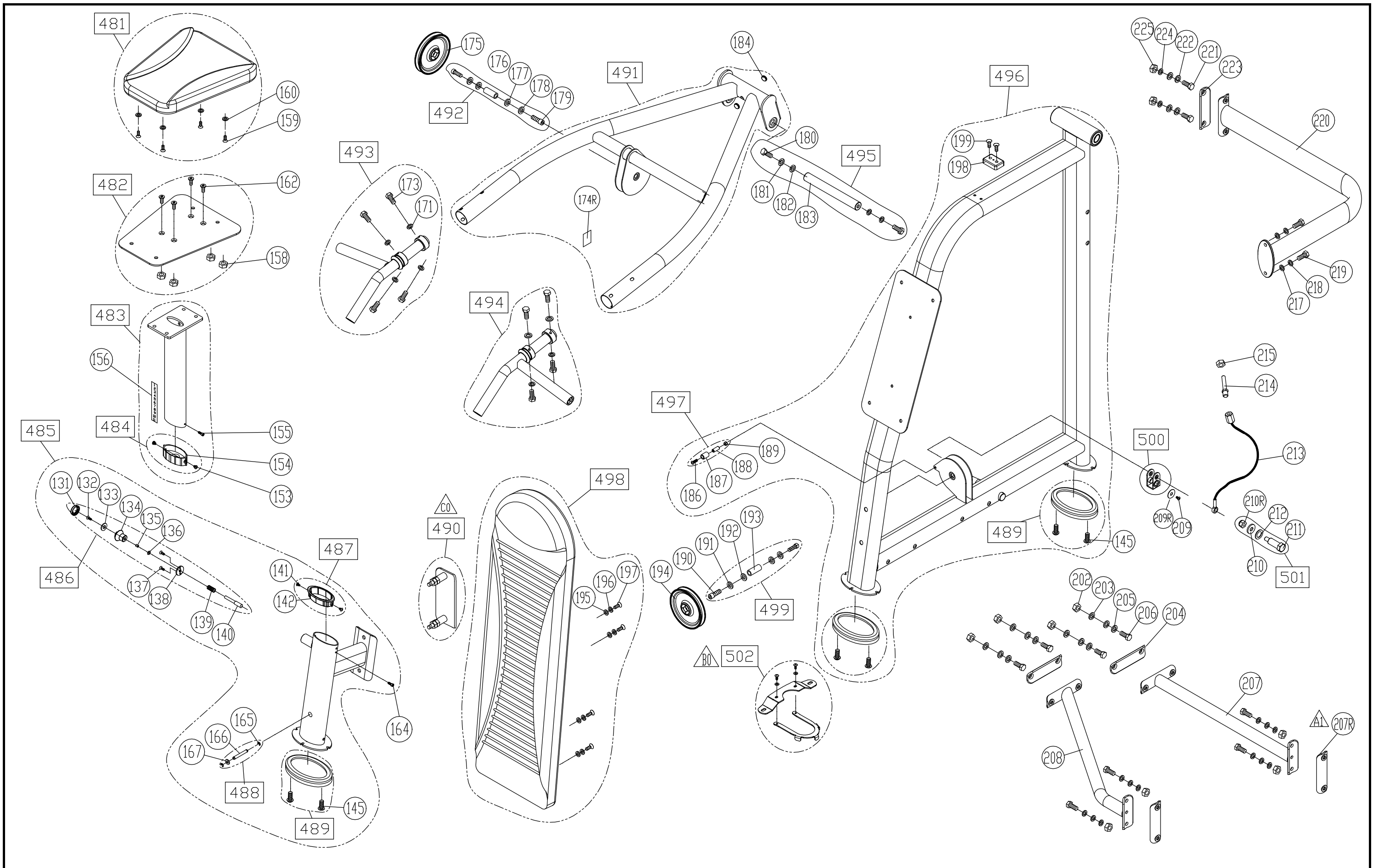
CHANGE DATE	CHANGE DESCRIPTION	CHANGE NO.	NAME	UNITS	MM	SALES BLOW UP DIAGRAM	DIAGRAM NO.	MODEL
2016.01.28	 406 水壺架組修改造型, 取消(48)(50)(52),(49)(51)變更料件	05-20150906M	蔡鴻興	QTY	1	XX		P717
				VERSION	B0			
				RATIO	1:12			

SportsArt
FITNESS

RESTRICTED USAGE,
PLEASE DON'T FORWARD TO ANYONE WHO ISN'T AUTHORIZED

DRAWN BY

VERIFIED BY



CHANGE DATE	CHANGE DESCRIPTION	CHANGE NO.	NAME	 RESTRICTED USAGE , PLEASE DON'T FORWARD TO ANYONE WHO ISN'T AUTHORIZED	DRAWN BY	UNITS	MM	SALES BLOW UP DIAGRAM	DIAGRAM NO.	GCA-F101C-C		
2014.10.24	▲ 新增 (207R)		黃永業			QTY	1					P717
2015.12.09	▲B0 增加機台固定性, 故新增 502	05-20151205M	鄭宜峰		VERIFIED BY	VERSION	C0		XX		MODEL	
2016.10.27	▲C0 修改 490	05-20161013M	張又仁			RATIO	1:11					