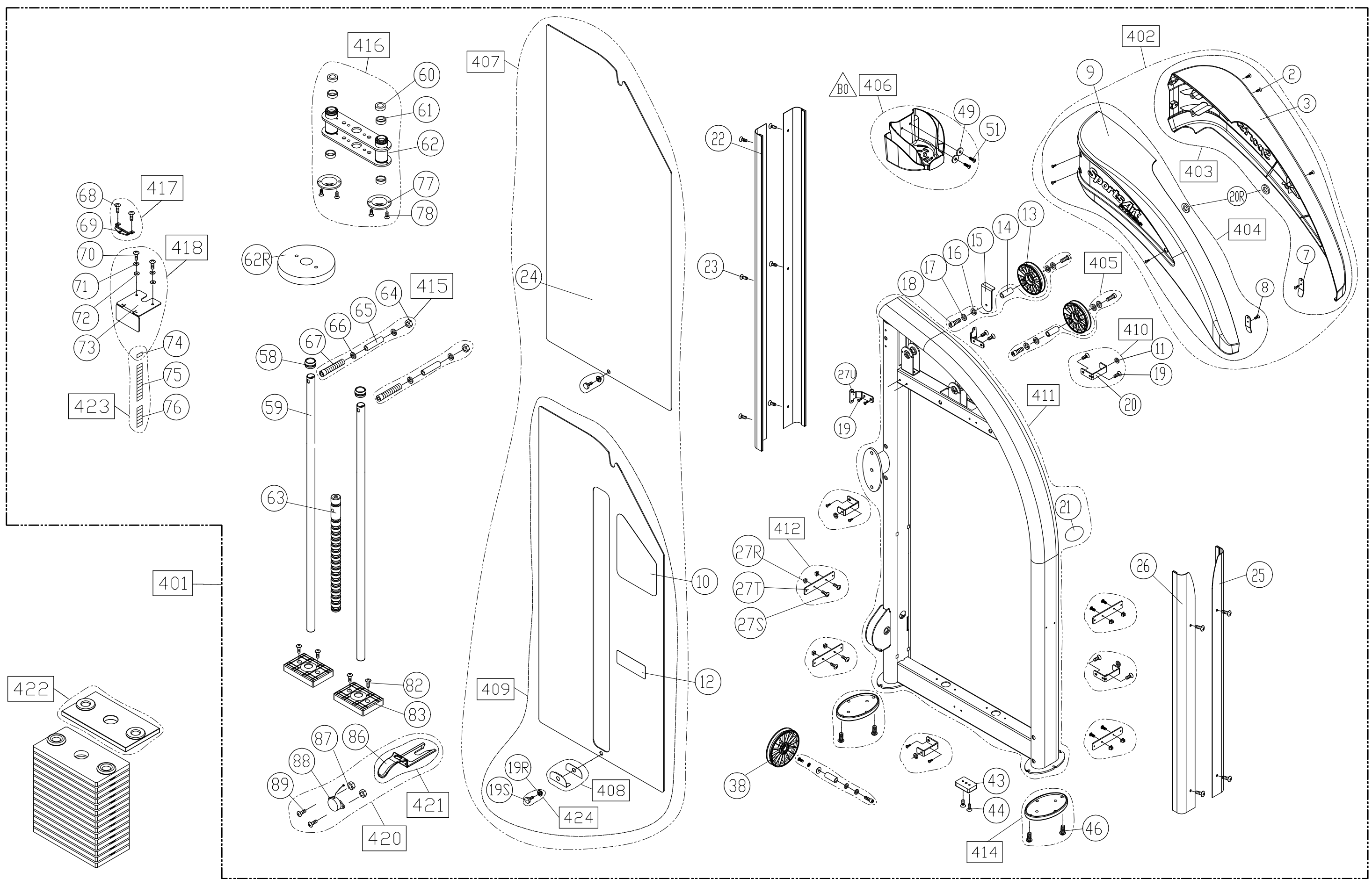
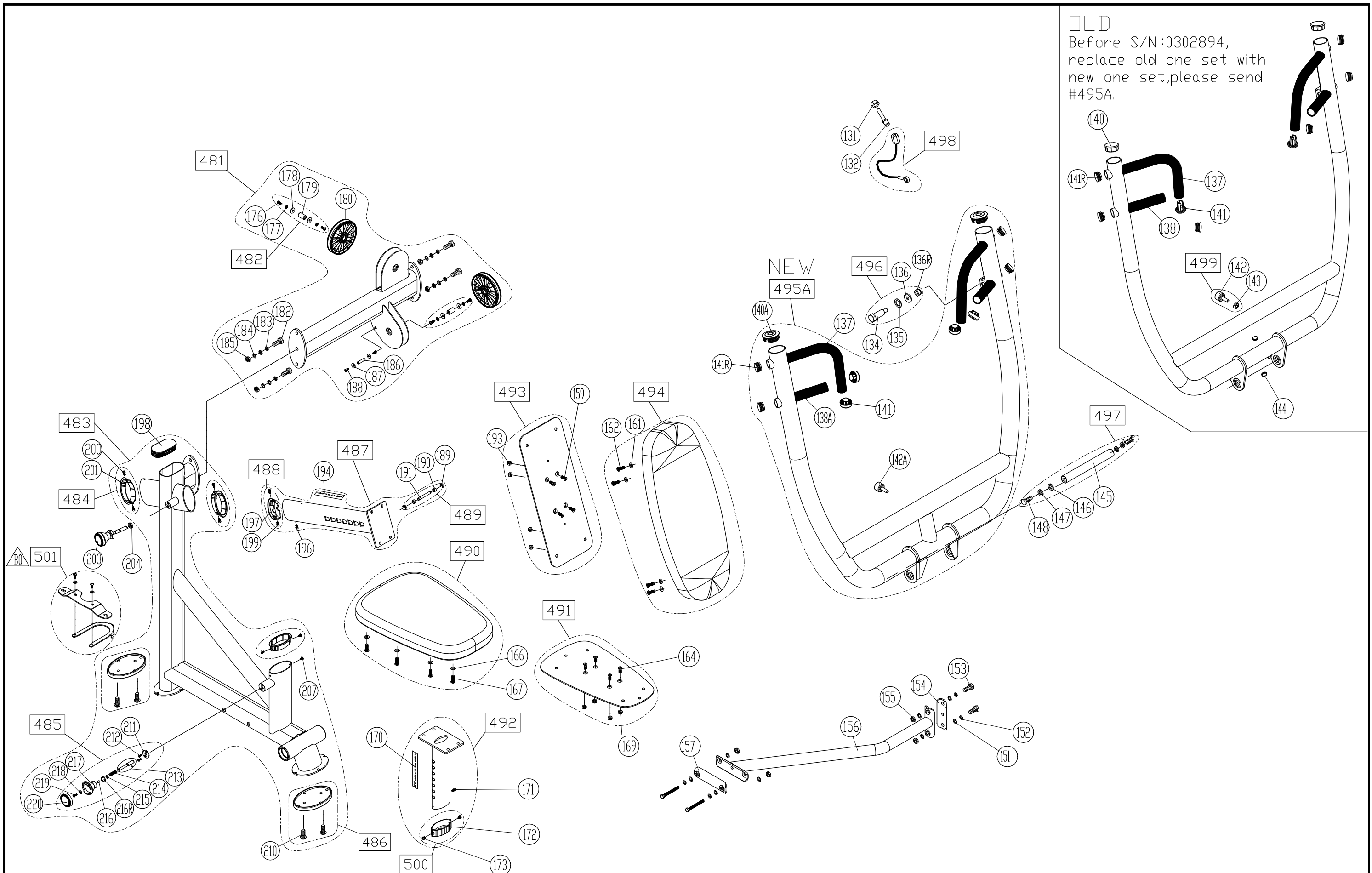


BBL	Description	QTY	Part Number	BBL	Description	QTY	Part Number
001	OWNER'S MANUAL	1	P715-001	070	SCREW - B/H (M6*P1.0*L35)	2	002-205-632
002	SCREW - P (M6*P1.0*L12)	6	002-211-282	071	WASHER - SP (M6*T1.5)	2	003-302-002
003	TOP COVER - RIGHT	1	P711-003	072	WASHER - F (D20*D6.3*T1.5)	2	003-301-007
007	BRACKET	2	105-710-150	073	1-PLATE BRACKET	1	196-010-16L
008	SCREW - M/P (M4*L12)	2	002-210-003	074	PLATE STICKER - 5KG (GREEN)	1	S912-047
009	TOP COVER - LEFT	1	P711-009	075	PLATE STICKER - 10-60KG (GREEN)	1	S911-048
010	STICKER - USAGE	1	P715-010	076	PLATE STICKER - 65-100KG (GREEN)	1	S911-049
011	SINGLE-SIDED TAPE	4	000-065-350	077	GUIDE RING	2	P711-077
012	STICKER - WARNING	1	DF-101-008	078	SCREW - B/P (M5*L12)	4	002-207-140
013	PULLEY	2	A971-08	082	SCREW - B/H (M6*P1.0*L15)	4	002-205-613
014	AXLE	2	DF-100-032	083	WEIGHT STACK CUSHION	2	P711-083
015	PULLEY BRACKET	1	P712-015	086	SELECTOR FORK - NO CORD	1	190-553-052
016	WASHER - F (D20*D6.3*T1.5)	4	003-301-043	087	NUT - H (M4*P0.7)	2	001-102-090
017	WASHER - SP (M6)	4	003-302-011	088	RETRACTING CABLE	1	DF-100-021
018	SCREW - M/H (M6*P1.0*L12)	4	002-203-027	089	SCREW - P (M4*P0.7*L25)	2	002-211-080
019	SCREW - M/H (M6*P1.0*L12)	12	002-203-027	131	NUT - H (M10)	1	001-102-141
019R	COVER WASHER - (D21.5*10.5)	2	DF-101-030A	132	AXLE	1	DF-101-122
019S	SCREW - P (M6*P1.0*L20)	2	002-213-035	134	AXLE	1	001-513-240
020	BRACKET	4	105-710-210	135	WASHER - F (D16*D10.2*T1.0)	1	003-301-141
020R	FOAM RING	2	005-757-720	136	WASHER - F (D16*D6.3*T2)	1	003-301-062
021	STICKER - WARNING	1	DF-101-020D	136R	NUT - H/N (M5*P0.8)	1	001-101-070
022	COVER FRAME - GREY	2	P712-022G	137	RUBBER GRIP	2	P715-137
023	SCREW - M/P (M5*0.8*L8)	10	002-209-137	138	RUBBER GRIP - OLD STYLE	2	P715-138
024	REAR COVER	1	P712-024	138A	RUBBER GRIP	2	S956-284
025	COVER FRAME - GREY	1	P712-025G	140	END CAP	2	8300-26
026	COVER FRAME - GREY	1	P712-026G	140A	END CAP	2	DF-104-058
027R	SCREW INSERT	8	000-076-820	141	END CAP	4	DF-102-073
027S	SCREW - M/P (M5*L15)	8	002-210-035	141R	CAP	4	C575U-436
027T	BRACKET	4	105-710-182	142	STOPPER FOOT	2	A921-54
027U	BRACKET	2	P717-027U	142A	STOPPER	1	P715-142A
038	PULLEY	1	A971-08	145	AXLE	1	096-813-050
043	RUBBER CUSHION	1	A951-84	146	WASHER - F (D26*D8.5*T2)	2	003-301-033
044	SCREW - P (M5*P0.8*L12)	2	002-211-255	147	WASHER - SP (M8)	2	003-302-010
046	PASTIC RIVET	4	000-076-990	148	SCREW - B/H (M8*P1.25*L20)	2	002-205-820
049	WASHER - F (D27*D6.3*T3.0)	2	003-301-008	151	WASHER - F (D16*D10.2*T1.0)	8	003-301-141
050	BOTTLE HOLDER (NEW STYLE)	1	090-530-500	152	WASHER - SP (M10)	4	003-302-008
050T	SCREW - M/P (M4*L12)	4	002-210-003	153	SCREW - H (M10*P1.5*L130)	4	002-206-082
051	SCREW - M/H (M5*L20)	2	002-203-051	154	CONNECTOR PLATE - GREY	1	P715-154G
058	BUSHING	2	A911-36	155	NUT - H/N (M10)	4	001-101-030
059	STACK GUIDE TUBE	2	P712-059	156	CONNECTOR ARM - GREY	1	P715-156G
060	CUSHION RING	2	A911-37	157	CONNECTOR PLATE - GREY	1	P711-192G
061	GUIDE RING	4	A911-38	159	SCREW - B/H (M8*P1.25*L20)	4	002-202-040
062	UPPER COUNTERWEIGHT	1	196-050-16L	161	WASHER - SP (M8)	4	003-302-010
062R	COUNTERWEIGHT - 2.2KG	1	P715-062R	162	SCREW - M/H (M8*P1.25*L25)	4	002-203-061
063	16-POSITION TUBE	1	P712-063	164	SCREW - B/H (M8*P1.25*L20)	4	002-202-040
064	NUT - H/N (M8)	2	001-101-080	166	WASHER - SP (M8)	4	003-302-010
065	AXLE	2	005-730-010	167	SCREW - M/H (M8*P1.25*L25)	4	002-203-061
066	WASHER - F (D17*D8.3*T2)	4	003-301-038	169	NUT - H/N (M8)	4	001-101-080
067	SCREW - H (M8*P1.25*L65)	2	002-206-068	170	STICKER - POSITION	1	DF-103-208
068	SCREW - B/H (M5*P0.8*L10)	2	002-205-510	171	SCREW - B/H (M5*P0.8*L10)	1	002-205-510
069	CABLE BRACKET	1	A911-055	172	SEAT POST COLLAR	1	C570U-97

BBL	Description	QTY	Part Number	BBL	Description	QTY	Part Number
173	SCREW - B/H (M5*P0.8*L10)	2	002-205-510	415	TUBE HARDWARE	2	P711-415
176	SCREW - M/H (M6*P1.0*L12)	4	002-203-027	416	WEIGHT STACK COUNTERWEIGHT	1	P715-416
177	WASHER - SP (M6)	4	003-302-011	417	CABLE BRACKET	1	S972-406
178	WASHER - F (D20*D6.3*T1.5)	4	003-301-043	418	SET FORK	1	P715-418
179	AXLE	2	DF-100-032	420	SELECTOR FORK - W/CORD	1	A911-50
180	PULLEY	2	A971-08	421	SELECTOR FORK - NO CORD	1	190-591-530
182	SCREW - H (M10*P1.5*L30)	4	002-206-070	422	WEIGHT PLATE - 5KG	15	S911-419
183	WASHER - SP (M10)	4	003-302-008	423	PLATE STICKER - 5-100KG (GREEN)	1	103-191-230
184	WASHER - F (D16*D10.2*T1.0)	8	003-301-141	424	COVER HARDWARE	2	S912-404
185	NUT - H/N (M10)	4	001-101-030	481	PULLEY FRAME - GREY	1	P715-481G
186	AXLE	1	062-313-060	482	AXLE	2	DF-103-426
187	WASHER - (D16.5*D5.2*T2.0)	2	E850-219B	483	SEAT FRAME - GREY	1	101-591-83K
188	SCREW - B/H (M5*P0.8*L10)	2	002-230-514	484	COLLAR	3	A991-12
189	SNAP RING - (6MM)	2	004-402-012	485	ADJUSTMENT KNOB	1	DF-100-088
190	SPACER	2	UB521M-132	486	RUBBER FOOT	2	P711-414
191	AXLE PIN	1	090-513-430	487	SEAT POST	1	P715-487
193	NUT - H/N (M8)	4	001-101-080	488	END CAP	1	P715-488
194	STICKER - SEAT ADJUSTMENT	1	P715-194	489	AXLE	1	P715-489
196	SCREW - B/H (M5*P0.8*L10)	1	002-205-510	490	SEAT CUSHION - BLACK	1	P715-490B
197	END CAP	1	S912-183	491	SEAT CUSHION FRAME - GREY	1	S916-445
198	END CAP	1	DF-102-027	492	SEAT POST	1	P715-492
199	SCREW - B/H (M4*L12)	2	002-208-050	493	SEAT BACK FRAME - GREY	1	P715-493G
200	SCREW - M/H (M4*P0.7*L8)	4	002-209-143	494	BACK CUSHION - BLACK	1	P715-494B
201	TUBE SHEATH	2	DF-100-094	495A	YOKE PRESS - GREY	1	P715-495G
203	ADJUSTMENT KNOB	1	DF-105-102	496	PULLEY HARDWARE	1	P715-496
207	SCREW - M/H (M6*P1.0*L8)	1	002-203-022	497	YOKE PRESS AXLE	1	P715-497
210	PASTIC RIVET	4	000-076-990	498	PULLEY CABLE	1	P715-498
211	STOPPER PLATE	1	153-210-330	499	STOPPER	1	A916-37
212	SCREW - B/P (M4*12)	2	002-207-130	500	SEAT SLEAVE	1	P712-488
213	PIN	1	053-251-024				
214	SPRING	1	DF-101-135				
215	O-RING	1	000-076-690				
216	SPACER	1	053-213-082				
216R	WASHER - W (D11*D6.4)	1	003-303-010				
217	ADJUSTMENT KNOB	1	092-130-071				
218	WASHER - F (D12*D4.2 T1.0)	1	003-301-018				
219	SCREW - P (M4*P0.7*L14)	1	002-211-067				
220	ADJUSTMENT KNOB CAP	1	092-130-060				
401	MAIN FRAME ASSEMBLY - GREY	1	101-591-10K				
402	TOP COVER ASSEMBLY	1	103-191-200				
403	TOP COVER - RIGHT	1	P711-403				
404	TOP COVER - LEFT	1	P711-404				
405	AXLE	3	DF-103-426				
406	BOTTLE HOLDER	1	P711-406				
407	COVER ASSEMBLY	1	101-591-070				
408	BRACKET	1	P712-408				
409	FRONT COVER	1	P715-409				
410	BRACKET	4	P711-410				
411	MAIN FRAME - GREY	1	101-591-11K				
412	BRACKET	4	P712-412				
414	RUBBER FOOT	2	P711-414				



CHANGE DATE	CHANGE DESCRIPTION	CHANGE NO.	NAME	 RESTRICTED USAGE , PLEASE DON'T FORWARD TO ANYONE WHO ISN'T AUTHORIZED	DRAWN BY	UNITS	MM	SALES BLOW UP DIAGRAM	DIAGRAM NO.	GCL-F101B-B	
2016.01.29	B0 406 水壺架組修改造型, 取消(48)(50)(52),(49)(51)變更料件	05-20150906M	蔡鴻興		VERIFIED BY	QTY	1				P715
						VERSION	B0			MODEL	
						RATIO	1/11				



OLD
 Before S/N:0302894,
 replace old one set with
 new one set, please send
 #495A.

CHANGE DATE	CHANGE DESCRIPTION	CHANGE NO.	NAME
2015.12.09	增加機台固定性, 故新增 501	05-20151205M	鄭宜峰

SportsArt
 FITNESS

RESTRICTED USAGE,
 PLEASE DON'T FORWARD TO ANYONE WHO ISN'T AUTHORIZED

DRAWN BY	UNITS	MM	SALES BLOW UP DIAGRAM	DIAGRAM NO.	GCL-F101C-B
	QTY	1			P715
VERIFIED BY	VERSION	B0	XX	MODEL	
	RATIO	1:12			