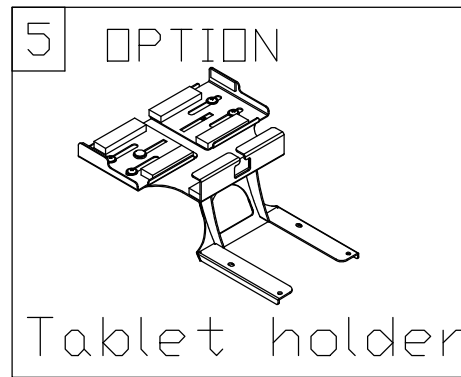
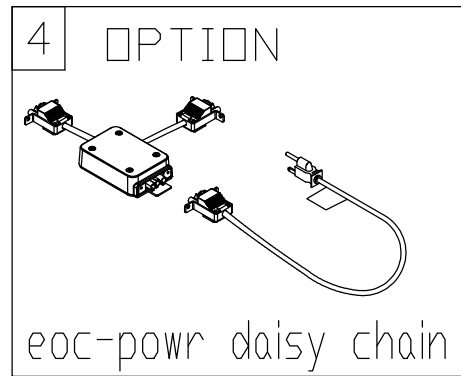
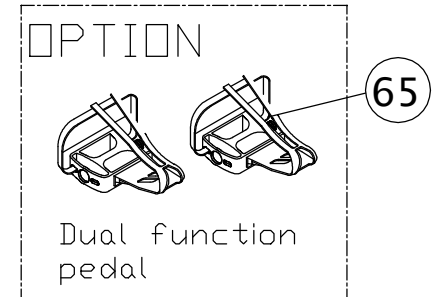
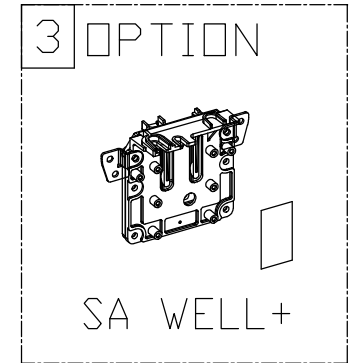
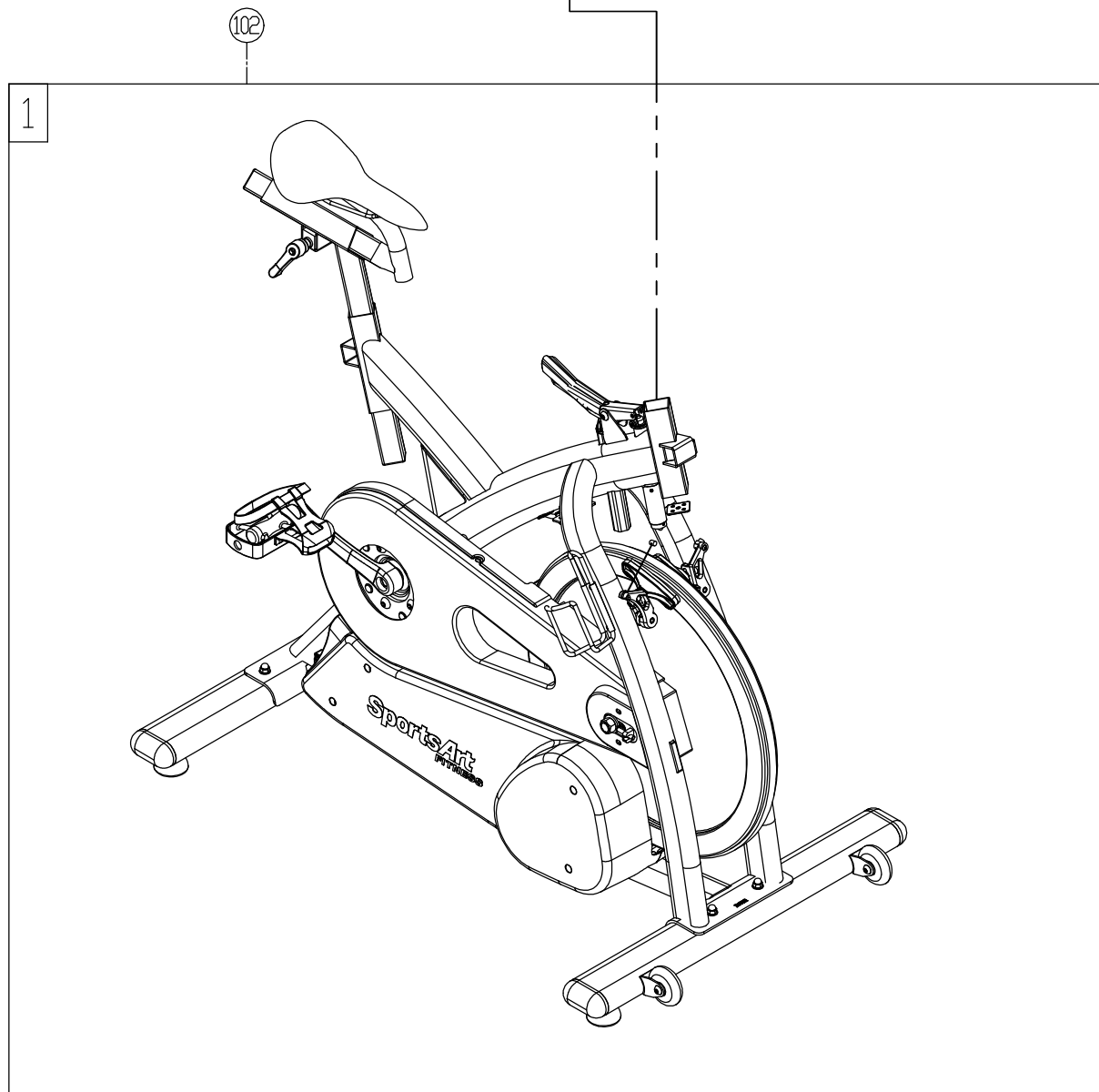
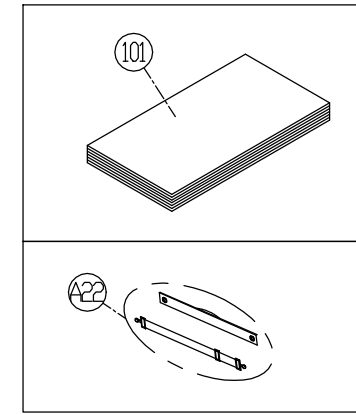
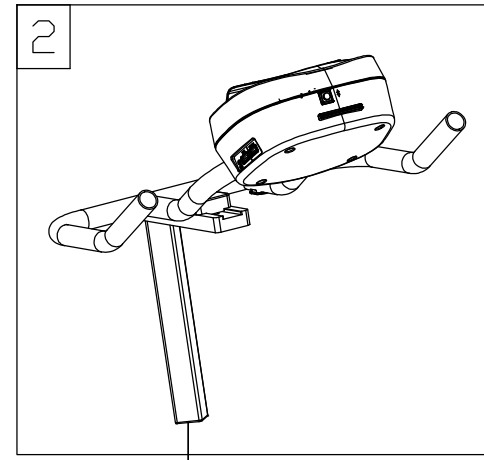


BBL	Description	QTY	Part Number	BBL	Description	QTY	Part Number
001	SEAT	1	C510-001	121	WASHER - F (D28*D15*T2.5)	1	003-301-065
007	CRANK BOLT	2	C510-007	122	SPRING	1	000-604-190
008	NUT	4	C510-008	123	BOLT	1	000-613-080
009	WASHER	4	C510-009	124	NUT - H (M8)	1	001-102-121
010	SCREW	4	C510-010	125	SCREW - B/H (M8*P1.25*L70)	1	002-205-097
012	CAP	4	C510-012	126	STICKER - SPORTSART	2	082-063-020
013	FOOT	4	C510-013	130	BRAKE ASSEMBLY	1	000-651-010
014	REAR SUPPORT TUBE	1	C510-014B	131	FELT BRAKE PADS	1	000-685-010
016	ADJUSTMENT SCREW	4	C510-016	138	BRAKE HANDLE	1	000-653-350
018	FRONT SUPPORT TUBE	1	C510-018B	139	BRAKE HANDLE CONNECTION	2	000-610-360
019	BELT COVER	1	C510-019	140	WASHER - F (D17*D8.3*T1)	1	003-301-044
021	CRANK - RIGHT	1	C510-021	141	BUSHING	1	000-004-926
021.1	CRANK - LEFT	1	C510-020	142	BRAKE CONNECTION ROD	2	000-613-250
025	SCREW	2	C510-025	143	BUSHING	1	000-004-927
026	BOTTLE HOLDER	1	C510-026	146	TENSIONER	1	000-604-040
032	SPINDLE COVER (2 PC)	1	C510-032	149	PLUG	1	000-630-380
032.1	SCREW - (M6)	4	C510-032-1	150	WASHER - F (D19.5*D14.2*T2.5)	1	159-110-550
033	SPINDLE BEARING	3	C510-033	156	SIDE COVER - LEFT	1	000-630-510
034	SPINDLE	1	C510-034	156R	COVER GRILL - LEFT	1	000-630-610
035	FLYWHEEL AXLE W/BEARINGS	1	C510-035	157	SCREW - M/P (M4*L16 D8.5)	6	002-210-004
038	TRANSPORT WHEEL SCREW	2	C510-038	158	SCREW INSERT	3	000-076-820
039	TRANSPORT WHEEL	2	C510-039	159	SIDE COVER - RIGHT	1	000-630-500
042	SEAT FRAME	1	C510-042	159R	COVER GRILL - RIGHT	1	000-630-600
043	SEAT ADJUST FRAME	1	C510-043	166	SCREW - B/H (M5*P0.8*L10)	3	002-205-512
046	FENDER	1	C510-046	167	SCREW - P (M3*P0.5*L16)	2	002-211-205
047	SCREW - FENDER	2	C510-047	168	BRACKET	1	156-710-011
048	WASHER - FENDER	2	C510-048	169	SWITCH BRACKET	1	100-610-03K
049	NUT - FENDER	2	C510-049	170	SCREW - P (M3*P0.5*L6)	2	C575U-064
050	SCREW - H	1	C510-050	171	SCREW - P (M4*P0.7*L8)	2	002-211-223
051	FENDER BRACKET	1	C510-051	172	SWITCH OVERLAY	1	000-663-030
052	PROTECTIVE COVER	1	C510-052	204	SCREW - B/H (M5*P0.8*L10)	2	002-230-514
053	SCREW - COVER	6	C510-053	205	WASHER - SP (M5*P0.8*L12)	2	003-302-004
054	COVER CLAMP	4	C510-054	206	STICKER - WARNING	1	045-063-240
055	DRIVE PULLEY	1	C510-055	207	STICKER - RATING	1	045-063-251
056	SCREW - BELT COVER	3	C510-056	214	MAGAZINE HOLDER	1	000-630-490
057	SCREW - BOTTLE HOLDER	1	C510-057	215	SCREW - M/P (M4*L10)	2	002-210-002
058	SEAT POST SLEEVE	3	C510-058	216	STICKER - QR CODE	1	C575U-013
064	FLYWHEEL ASSEMBLY	1	C510-064	222	SCREW - P (M3*L8)	4	002-212-042
065	DUAL PEDAL UPGRADE	1	000-500-663	224	PLUG	2	100-630-550
071	STOPPER	1	C510-071	225	HANDLEBAR	1	000-650-02K
101	OWNER'S MANUAL	1	000-661-010	227	SCREW - M/P (M4*L16 D8.5)	4	002-210-004
104	BRACKET	1	000-610-180	228	SCREW - P (M3*L8)	4	002-212-042
105	PLUG	2	100-630-550	229	SCREW - M/P (M4*L16 D8.5)	1	002-210-004
106	STICKER - MODEL NUMBER	2	000-663-010	230	WIRE CLIP - (1/4")	1	000-076-400
107	PEDAL SET	1	C510-011	231	SCREW - P (M4*L8)	2	002-212-070
108	DRIVE BELT - (HUTCHINSON)	1	C510-045	232	DISPLAY HOUSING - BACK	1	000-630-530
109	GENERATOR BELT - (HUTCHINSON)	1	000-605-010	233	SCREW - M/P (M4*L16 D8.5)	4	002-210-004
110	ALTERNATOR	1	100-670-031	234	CARD GUIDE COVER	1	000-630-540
118	SCREW - H (M5*P0.8*L20)	2	002-205-072	235	ZIP TIE	3	E872MA-287A
119	WASHER - (D16.5*D5.2*T2.0)	2	E850-219B	236	ZIP TIE	3	000-076-242
120	BUSHING	2	000-613-410	237	STICKER - NFC	1	000-063-125

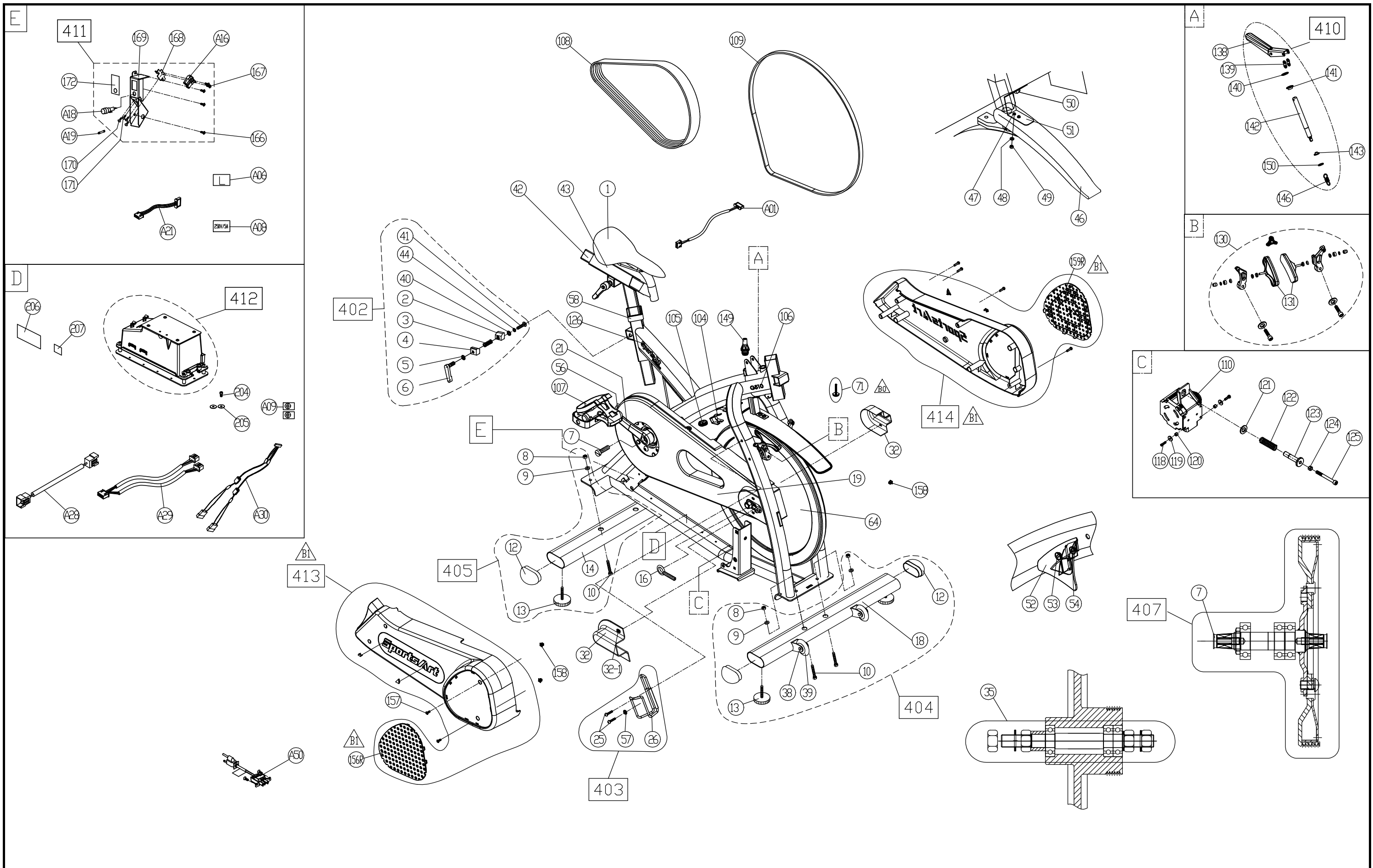
BBL	Description	QTY	Part Number	BBL	Description	QTY	Part Number
238	STICKER - NFC	1	000-063-126	Y09	SCREW - P (M3*L6)	4	002-212-040
402	SEAT ADJUSTMENT LEVER	1	C510-402	Y10	WIRE - SA WELL+ TO DISPLAY	1	057-827-500
403	BOTTLE HOLDER ASSEMBLY	1	C510-403	Y11	WIRE - SA WELL+ TO USB	1	057-827-492
404	FRONT SUPPORT ASSEMBLY	1	C510-404	Y12	BATTERY - (CR2032H)	1	057-726-010
405	REAR SUPPORT ASSEMBLY	1	C510-405	Y14	BRACKET A	1	100-610-540
407	PULLEY ASSEMBLY	1	C510-407	Y15	BRACKET B	1	100-610-530
410	BRAKE HANDLE ASSEMBLY	1	100-691-100	Y16	SCREW - M/P (M4*L12)	2	002-210-003
411	SWTICH BRACKET ASSEMBLY	1	100-691-110	Y17	NFC TAG	1	000-063-127
412	DRIVE BOARD	1	100-691-120	Y401	SA WELL+ BLUETOOTH - COMPLETE	1	100-651-010
413	SIDE COVER - LEFT (NEW DESIGN)	1	100-691-130	Y401.1	SA WELL+ WIFI - COMPLETE	1	100-651-020
413.1	SIDE COVER - LEFT (OLD DESIGN)	1	000-630-510				
414	SIDE COVER - RIGHT (NEW DESIGN)	1	100-691-150				
414.1	SIDE COVER - RIGHT (OLD DESIGN)	1	000-630-500				
420	DISPLAY ASSEMBLY - COMPLETE	1	100-691-200				
421	DISPLAY ASSEMBLY - FRONT PLASTIC	1	100-691-210				
422	DISPLAY ASSEMBLY - FRONT	1	100-691-220				
423	DISPLAY ASSEMBLY - BACK	1	100-691-230				
A01	WIRE - PEDESTAL	1	000-627-011				
A06	STICKER - LIVE WIRE	1	000-063-005				
A07	STICKER - GROUND WIRE	1	000-063-004				
A08	STICKER - FUSE	1	000-063-653				
A09	STICKER - GROUND WIRE	2	000-063-002				
A16	POWER ADAPTER	1	G575U-211				
A17	ON/OFF SWITCH	1	T655-427				
A18	FUSE HOLDER - NEW STYLE	1	T645-425				
A19	FUSE - 5A 110V	1	G575U-208				
A20	WIRE - FUSE HOLDER TO SWITCH	1	C580R-27				
A21	WIRE - SWITCH BRACKET - OLD	1	000-627-041				
A21A	WIRE - SWITCH BRACKET - NEW	1	000-627-042				
A22	POLAR HEART RATE STRAP	1	3100-03A				
A35	WIRE - DISPLAY	1	000-627-021				
A40	DISPLAY BOARD	1	100-620-051				
A41	HTR RECEIVER BOARD	1	C575U-044				
A42	WIRE - BLUETOOTH BUTTON	1	C575U-010				
A43	CSAFE BOARD	1	C575U-153				
A44	USB BOARD	1	C575U-063				
A45	WIRE - LED LIGHT	1	S715-017				
A46	WIRE - HRC BOARD TO DISPLAY	1	C575U-043				
A47	WIRE - BOOTLOADER	1	C575U-101				
A48	WIRE - CSAFE & USB	1	000-627-100				
A49	WIRE - USB CHARGER	1	C575U-102				
A50	POWER CORD	1	100-674-030				
A51	KEYPAD - LEFT	1	000-625-110				
A52	KEYPAD - RIGHT	1	000-625-120				
W06	GREEN SYSTEM - CORD	1	100-627-410				
W401	GREEN SYSTEM - DAISY CHAIN	1	100-691-700				
Y04	CARD GUIDE	1	057-530-021				
Y05	BRACKET	1	057-530-012				
Y07	SCREW - M/P (M4*L8)	9	002-210-014				
Y08	SA WELL+ BOARD - BLUETOOTH	1	157-820-830				
Y08.1	SA WELL+ BOARD - WIFI	1	157-820-842				

No.	Diagram	Tool Needed
1	CAD-F102B	
2	CAD-F102C	
3	CAD-F102D	OPTION
4	CAD-F102E	OPTION
5	CAD-F102F	OPTION

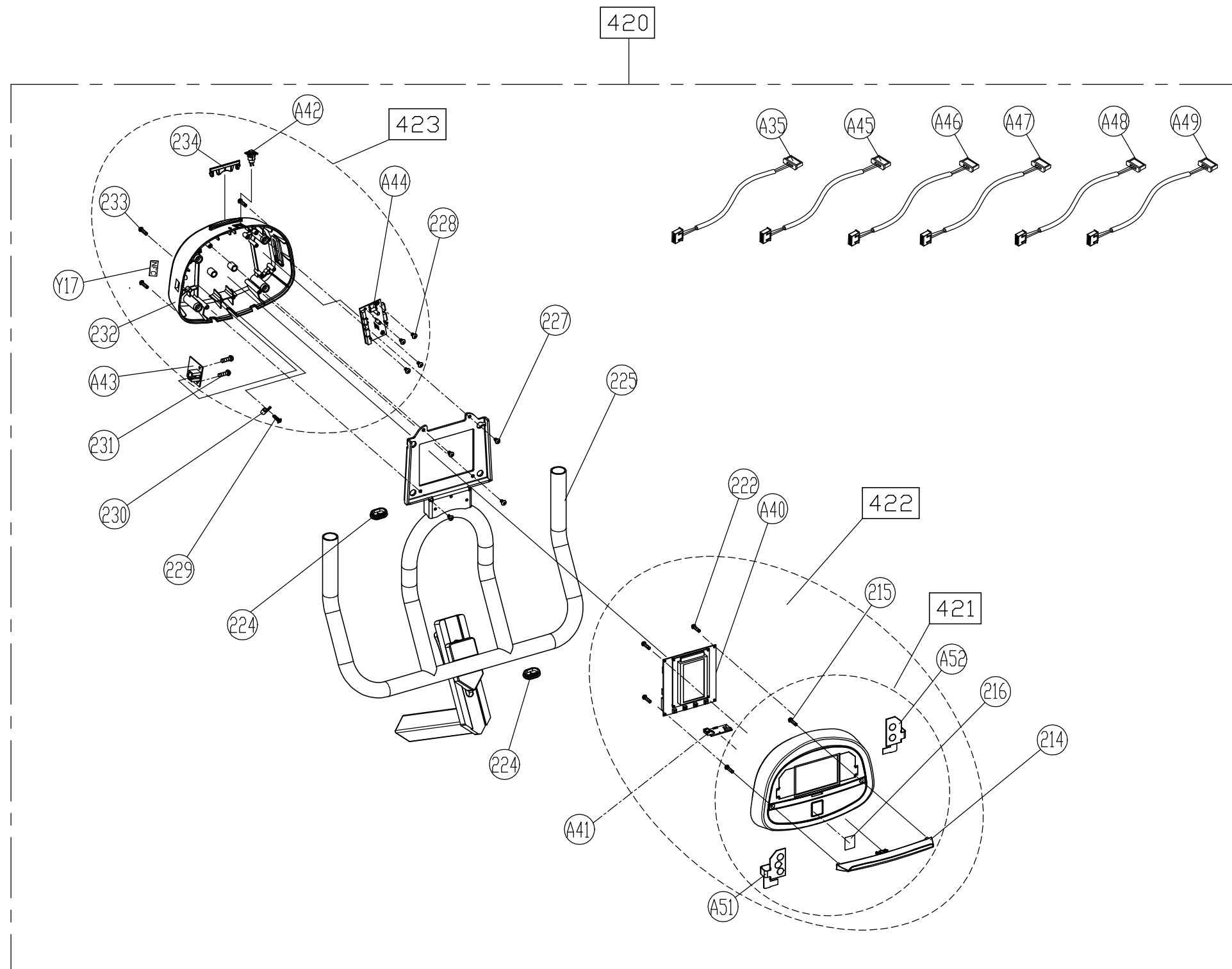
△A1
△A2



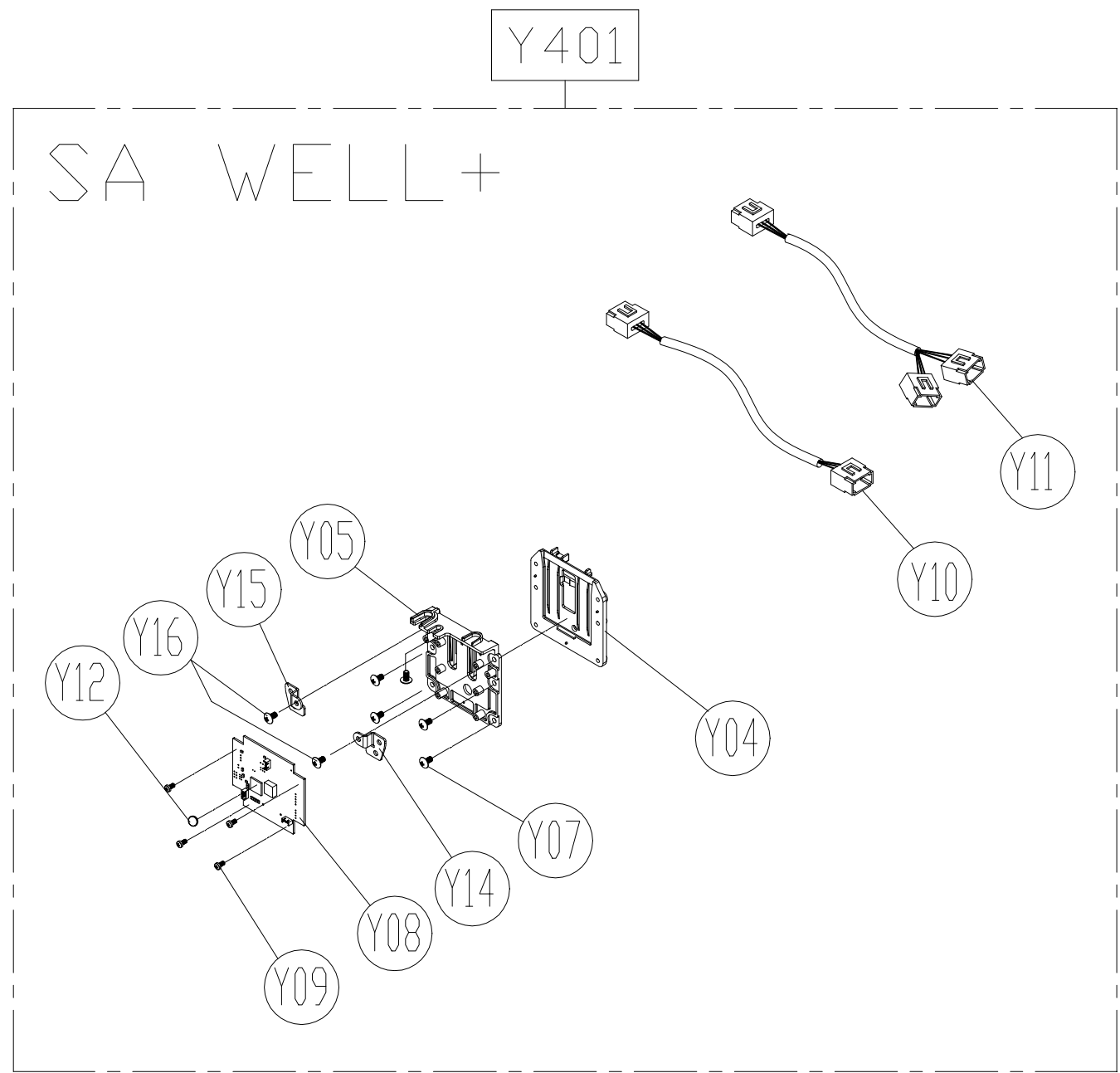
CHANGE DATE	CHANGE DESCRIPTION	CHANGE NO.	NAME	 RESTRICTED USAGE , PLEASE DON'T FORWARD TO ANYONE WHO ISN'T AUTHORIZED	DRAWN BY	UNITS	MM	SALES BLOW UP DIAGRAM	DIAGRAM NO.	CAD-F102A-A	
20160921	△A1 增加 4		張又仁		VERIFIED BY	QTY	1	XX		MODEL	G510
2017.11.27	△A2 新增平板放置架組 5		張又仁		VERSION	A2					
					RATIO	1:10					



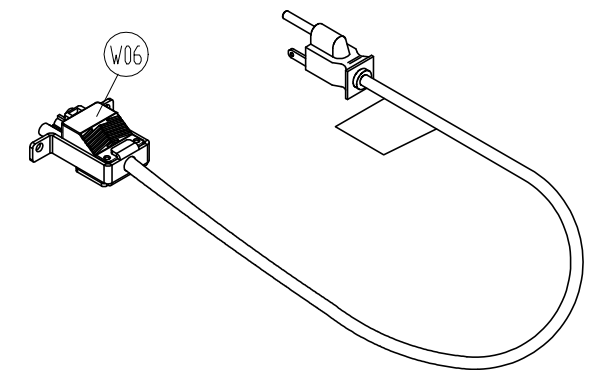
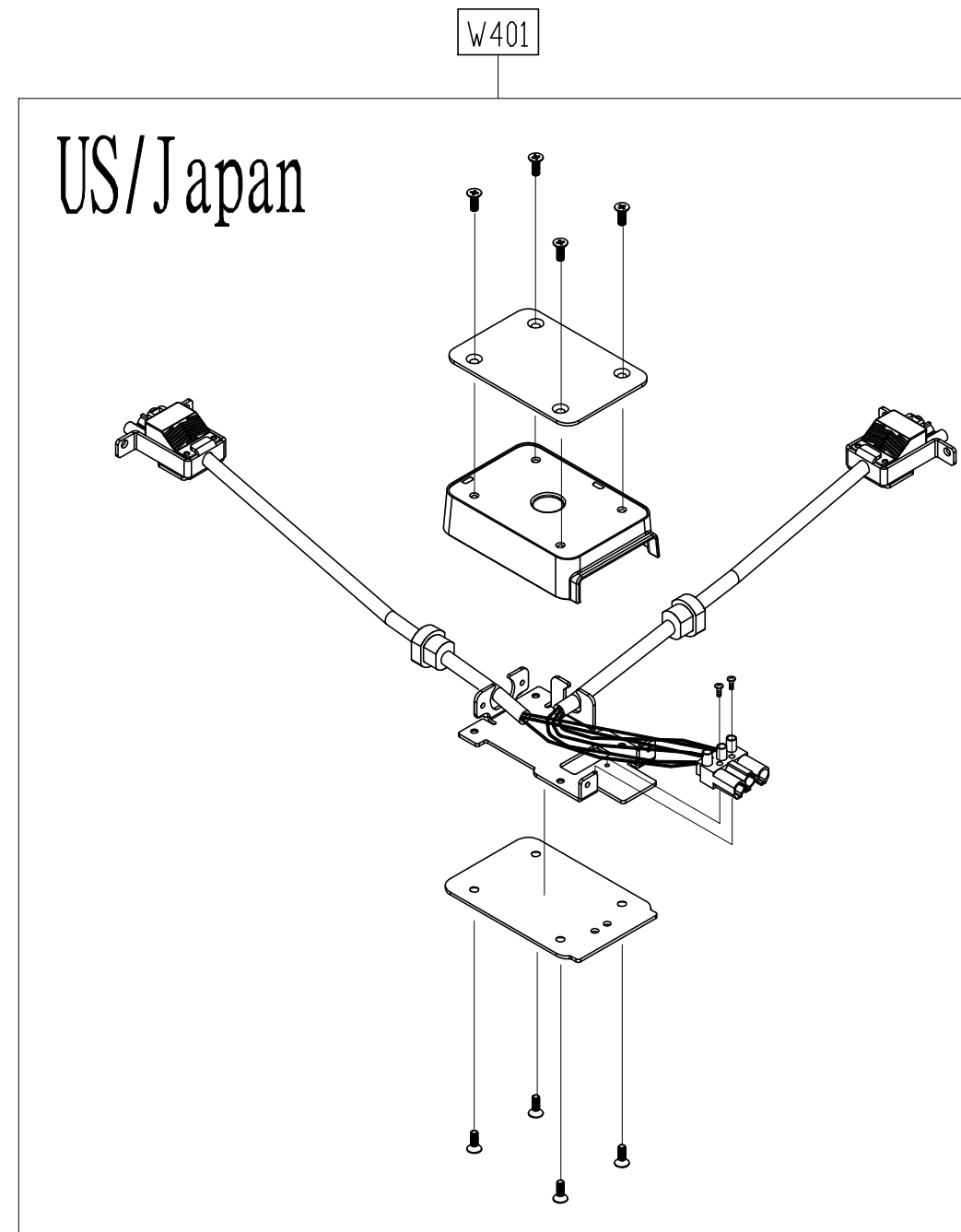
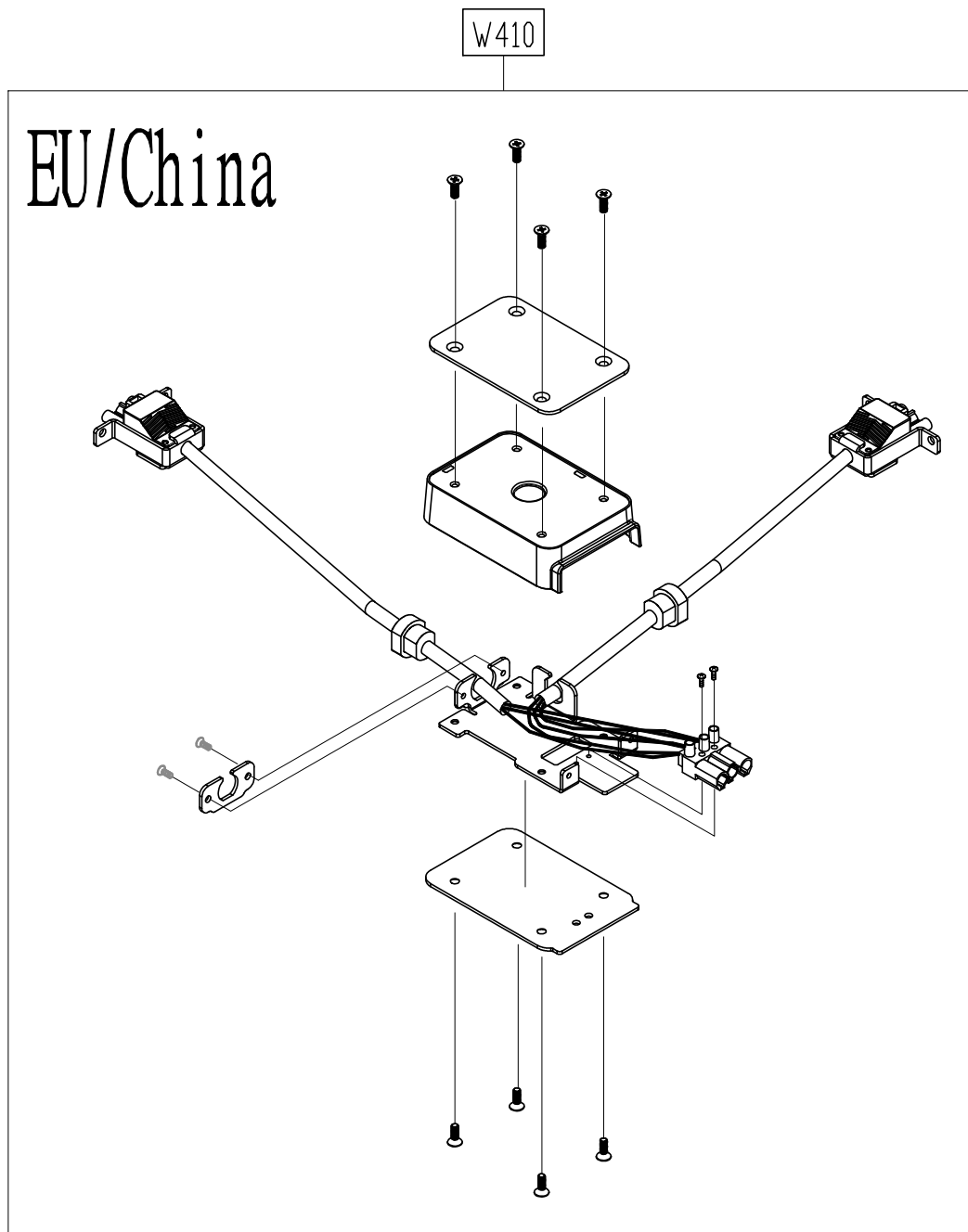
CHANGE DATE	CHANGE DESCRIPTION	CHANGE NO.	NAME	 RESTRICTED USAGE , PLEASE DON'T FORWARD TO ANYONE WHO ISN'T AUTHORIZED	DRAWN BY	UNITS	MM	SALES BLOW UP DIAGRAM	DIAGRAM NO.	CAD-F102B-B	
2018.12.11	▲B1 新增洞洞板組件件號 [413] [414] (156R) (159R)		張又仁		VERIFIED BY	QTY	1				G510
						VERSION	B1	XX		MODEL	
						RATIO	1:11				



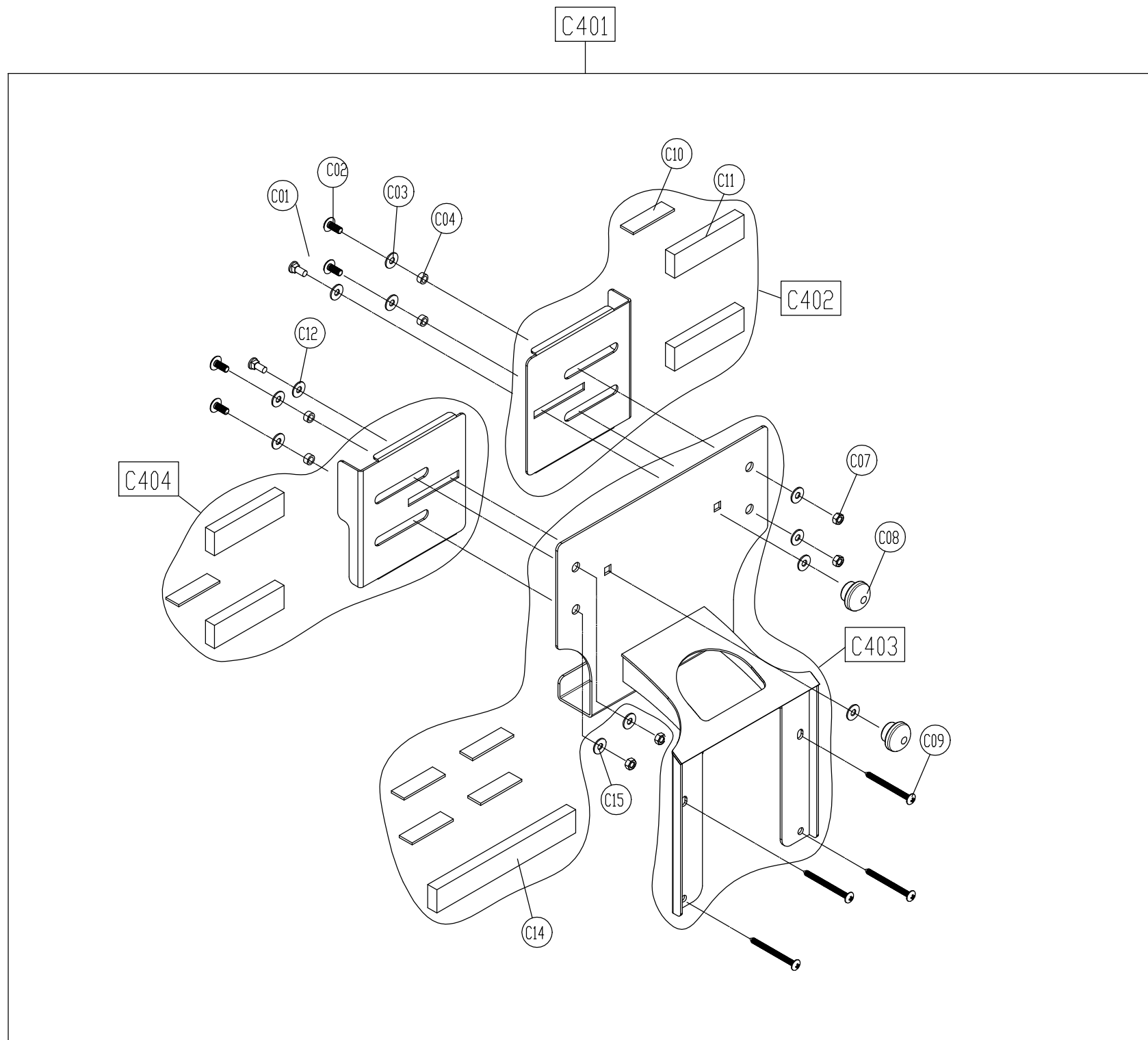
CHANGE DATE	CHANGE DESCRIPTION	CHANGE NO.	NAME	 RESTRICTED USAGE , PLEASE DON'T FORWARD TO ANYONE WHO ISN'T AUTHORIZED	DRAWN BY	UNITS	MM	SALES BLOW UP DIAGRAM	DIAGRAM NO.	CAD-F102C-A
201804016	A1 補充件號 (A51)(A52)(Y17)		張又仁		VERIFIED BY	QTY	1	XX	MODEL	G510
						VERSION	A1			
						RATIO	1:8			



CHANGE DATE	CHANGE DESCRIPTION	CHANGE NO.	NAME	 RESTRICTED USAGE , PLEASE DON'T FORWARD TO ANYONE WHO ISN'T AUTHORIZED	DRAWN BY	UNITS	MM	SALES BLOW UP DIAGRAM	DIAGRAM NO.	CA0-F102D-A	
					VERIFIED BY		QTY	1	XXX	MODEL	G510
							VERSION	A0			
							RATIO	1:5			



CHANGE DATE	CHANGE DESCRIPTION	CHANGE NO.	NAME	 RESTRICTED USAGE , PLEASE DON'T FORWARD TO ANYONE WHO ISN'T AUTHORIZED	DRAWN BY	UNITS	MM	SALES BLOW UP DIAGRAM	DIAGRAM NO.	CAD-F102E-A	
					VERIFIED BY	QTY	1		XX	MODEL	GREEN SYSTEM
						VERSION	A0				
						RATIO	1:1				



CHANGE DATE	CHANGE DESCRIPTION	CHANGE NO.	NAME	 RESTRICTED USAGE , PLEASE DON'T FORWARD TO ANYONE WHO ISN'T AUTHORIZED	DRAWN BY	UNITS	MM	SALES BLOW UP DIAGRAM	DIAGRAM NO.	CAD-F102F-A
2018.01.22	▲ 新增 (C15)		張又仁		VERIFIED BY	QTY	1	XX	MODEL	G510
						VERSION	A1			
						RATIO	1:1			