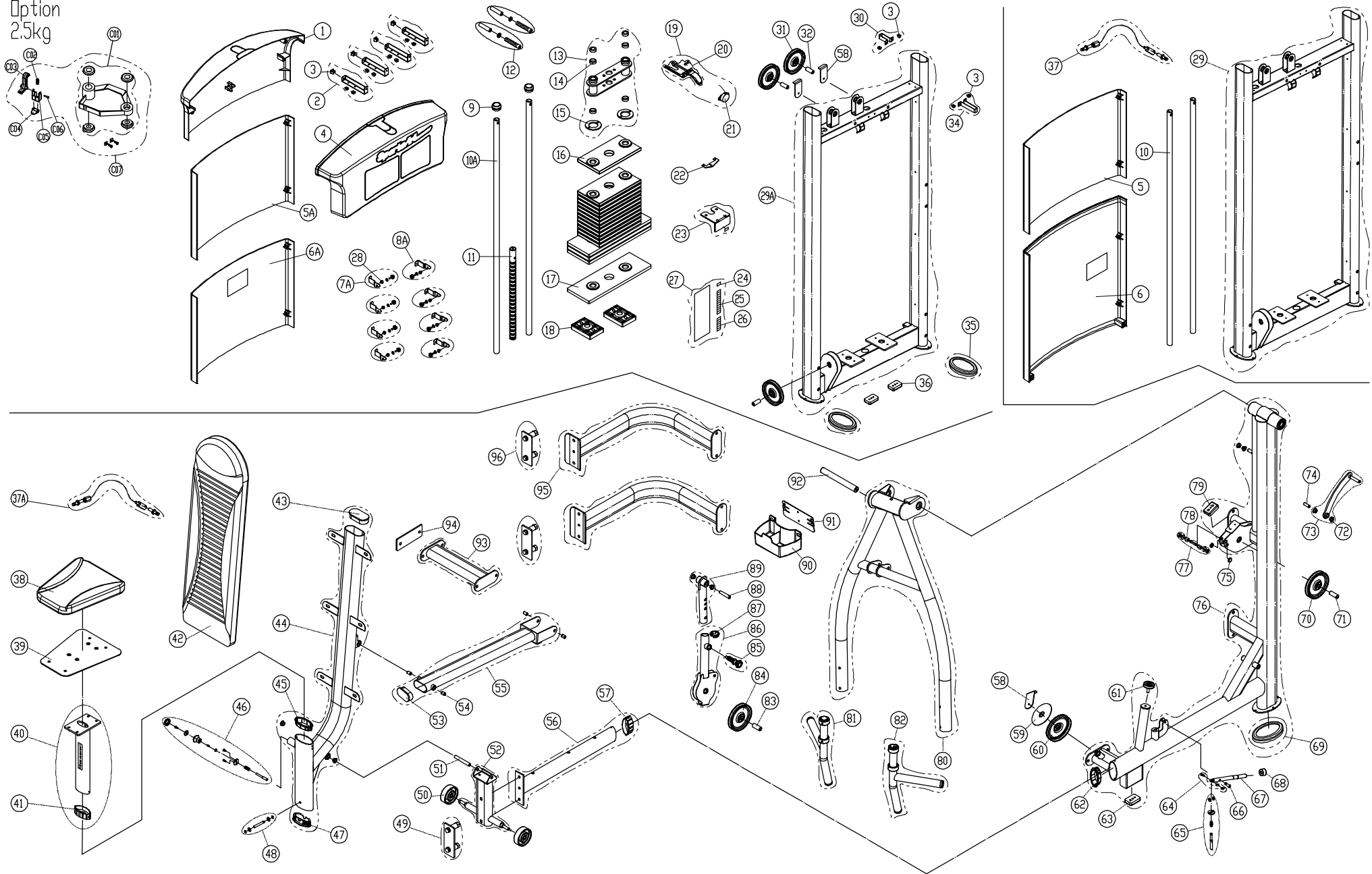


BBL	Description	QTY	Part Number	BBL	Description	QTY	Part Number
001	TOP COVER - REAR	1	S972-002	042	SEAT BACK PAD - BLACK	1	DF-108-042B
002	COVER BRACKET	4	S972-417	043	END CAP	1	DF-102-027
003	SCREW INSERT	8	000-076-820	044	SEAT BACK FRAME - GREY	1	196-891-05K
004	TOP COVER - FRONT	1	DF-108-004	044	SEAT BACK FRAME - SILVER	1	196-891-050
005A	REAR COVER - UPPER	1	DF-100-005A	045	TUBE SHEATH	1	DF-100-094
006	REAR COVER - LOWER	1	DF-100-006A	046	ADJUSTMENT KNOB	1	DF-100-088
006A	REAR COVER - LOWER (NEW)	1	196-091-031	047	END CAP	1	A93-219
007	BRACKET	4	DF-100-007A	048	AXLE	1	196-491-090
008	BRACKET	4	DF-100-008A	049	CONNECTOR PLATE - GREY	3	196-891-16K
009	BUSHING	2	A911-36	049	CONNECTOR PLATE - SILVER	3	DF-108-096
010	STACK GUIDE TUBE	2	P711-059	050	WHEEL	2	DF-108-050
010A	STACK GUIDE TUBE	2	P735-059	051	AXLE	1	DF-108-051
011	18-POSITION TUBE	1	096-013-042	052	WHEEL FRAME - SILVER	1	196-850-70C
012	SPACER TUBE	2	DF-100-012	052	WHEEL FRAME - GREY	1	196-850-70K
013	WEIGHT STACK BRACKET	1	196-091-040	053	END CAP	1	080-230-015
014	GUIDE RING	4	A911-38	054	BUSHING	4	A93-212
015	GUIDE RING	2	P711-077	055	CONNECTOR FRAME - GREY	1	196-891-06K
016	5KG WEIGHT PLATE	13	DF-100-016	055	CONNECTOR FRAME - SILVER	1	196-891-060
017	7.5KG WEIGHT PLATE	4	DF-100-017	056	ADJUSTABLE SEAT POST	1	196-891-070
018	WEIGHT STACK CUSHION	2	A911-48	057	SEAT POST COLLAR	1	C570U-97
019	SELECTOR FORK - W/CORD	1	A911-50	058	PULLEY BRACKET	3	DF-100-033
020	SELECTOR FORK - NO CORD	1	190-591-530	059	PULLEY COVER	1	A93-41
021	RETRACTING CABLE	1	DF-100-021	060	PULLEY	1	A971-08
022	CABLE BRACKET	1	A911-055	061	LEVELER	1	DF-101-159
023	PLATE BRACKET	1	196-091-120	062	TUBE SHEATH	1	DF-100-094
024	PLATE STICKER - 5KG (YELLOW)	1	DF-101-070	063	RUBBER CUSHION	1	A951-84
024	PLATE STICKER - 5KG (GREEN)	1	S912-047	064	CONNECTOR	1	A93-227
025	PLATE STICKER - 10-60KG (YELLOW)	1	DF-101-070A	065	ADJUSTMENT ROD	1	DF-108-065
025	PLATE STICKER - 10-60KG (GREEN)	1	S911-048	066	PIN	1	DF-108-066
026	PLATE STICKER - 65-100KG (YELLOW)	1	DF-101-070B	067	LEVER	1	DF-108-067
027	PLATE STICKER - 5-100KG (GREEN)	1	103-191-230	068	STOPPER	1	DF-108-068
027	PLATE STICKER - 5-100KG (YELLOW)	1	DF-100-027	069	RUBBER FOOT	2	P711-414
028	COVER WASHER - (D21.5*10.5)	8	DF-101-030A	070	PULLEY	3	A971-08
029	MAIN FRAME - SILVER	1	196-891-020	071	AXLE	2	DF-100-032
029A	MAIN FRAME - SILVER (NEW)	1	196-891-021	072	BUSHING	2	000-004-481
029A	MAIN FRAME - GREY (NEW)	1	196-891-02K	073	CONNECTOR - SILVER	1	196-891-090
030	BRACKET	1	196-091-130	073	CONNECTOR - GREY	1	196-891-09K
031	PULLEY	3	A971-08	074	AXLE	1	096-813-120
032	AXLE	2	DF-100-032	075	CAP	2	DF-100-039
034	BRACKET	1	DF-107-034	076	SEAT FRAME - SILVER	1	196-891-100
035	RUBBER FOOT	2	P711-414	076	SEAT FRAME - GREY	1	196-891-10K
036	RUBBER CUSHION	2	A951-84	077	AXLE	1	DF-108-077
037	STRENGTH CABLE - (195")	1	DF-108-037	078	BUSHING	2	DF-101-130B
037A	STRENGTH CABLE - (183")	1	DF-108-037A	079	RUBBER CUSHION	1	A951-84
038	SEAT CUSHION - ORANGE	1	A998-10	080	YOKE PRESS - GREY	1	196-850-05K
038	SEAT CUSHION - BLACK	1	DF-108-038B	080	YOKE PRESS - SILVER	1	196-850-05C
039	SEAT BOTTOM FRAME - SILVER	1	A998-09	081	YOKE HANDLE - RIGHT	1	096-853-013
039	SEAT BOTTOM FRAME - GREY	1	199-810-04K	082	YOKE HANDLE - LEFT	1	DF-108-082
040	SEAT POST	1	DF-103-420	083	AXLE	1	DF-100-032
041	SEAT POST COLLAR	1	C570U-97	084	PULLEY	1	A971-08
042	SEAT BACK PAD - ORANGE	1	DF-108-042	085	ADJUSTMENT KNOB	1	A921-55

BBL	Description	QTY	Part Number	BBL	Description	QTY	Part Number
086	PULLEY FRAME - GREY	1	196-891-12K				
086	PULLEY FRAME - SILVER	1	196-891-120				
087	BUSHING	1	055-030-030				
088	AXLE	1	096-813-210				
089	EXTENSION TUBE	1	196-891-130				
090	BOTTLE HOLDER	1	A912-75				
091	BRACKET	1	196-410-060				
092	AXLE	1	096-813-050				
093	CONNECTOR FRAME - GREY	1	196-850-11K				
093	CONNECTOR FRAME - SILVER	1	196-850-11C				
094	CONNECTOR PLATE - SILVER	1	196-810-71C				
094	CONNECTOR PLATE - GREY	1	196-810-71K				
095	CONNECTOR FRAME - GREY	2	196-850-08K				
095	CONNECTOR FRAME - SILVER	2	196-850-08C				
096	CONNECTOR PLATE - GREY	3	196-891-16K				
096	CONNECTOR PLATE - SILVER	3	DF-108-096				
097	STICKER - ROUND	2	P731-148				
099	WEIGHT PLATE - 4KG	3	DF-108-099				
101	REAR COVER ASSEMBLY	1	196-091-360				
102	LUBE - 1X50CC	1	000-051-021				
C07	2.5KG MIRCO ADJUSTMENT KIT	1	SALES				

Option  
2.5kg



CHANGE DATE	CHANGE DESCRIPTION	CHANGE NO.	NAME	 RESTRICTED USAGE, PLEASE DON'T FORWARD TO ANYONE WHO ISN'T AUTHORIZED	DRAWN BY	UNITS	MM	SALES BLOW UP DIAGRAM	DIAGRAM NO.	GAI-F001A-B	
							QTY	1			DF-108
						VERIFIED BY	VERSION	B0	XX	MODEL	
							RATIO	1:17			