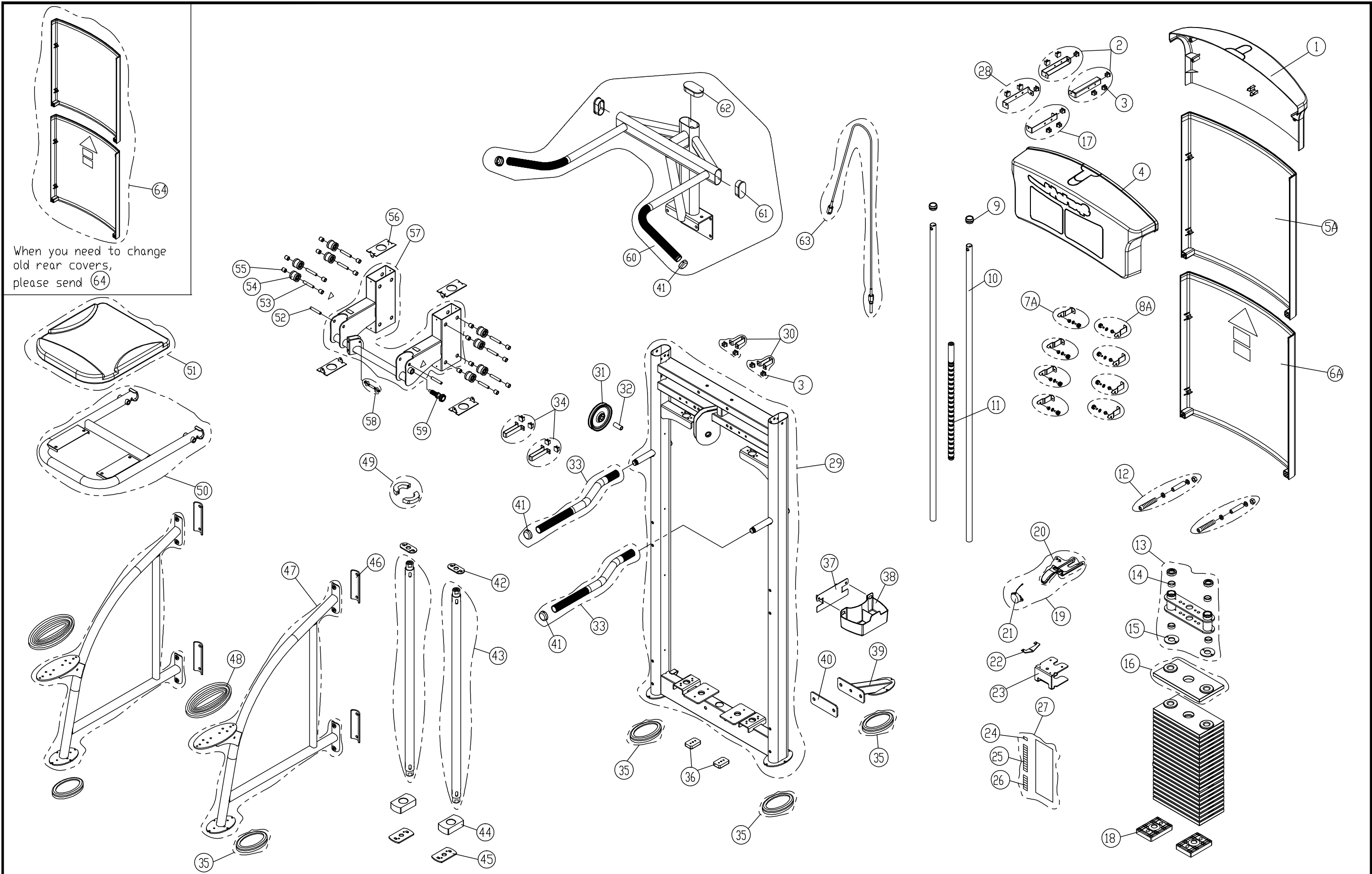


BBL	Description	QTY	Part Number	BBL	Description	QTY	Part Number
001	TOP COVER - REAR	1	S972-002	045	GUIDE BRACKET	2	P711-149
002	COVER BRACKET	2	S972-417	046	CONNECTOR PLATE - GREY	4	P711-192G
003	SCREW INSERT	16	000-076-820	046	CONNECTOR PLATE - SILVER	4	P711-192S
004	TOP COVER - FRONT	1	196-791-010	047	SUPPORT FRAME - GREY	2	P711-200G
005A	REAR COVER - UPPER	1	DF-101-009	047	SUPPORT FRAME - SILVER	2	P711-200S
006A	REAR COVER - LOWER	1	196-791-020	048	RUBBER PAD	2	A911-53
007A	BRACKET	4	DF-100-007A	049	BUSHING - SEAT SUPPORT	1	A911-21
008A	BRACKET	4	DF-100-008A	050	KNEE FRAME - GREY	1	P711-489G
009	BUSHING	2	A911-36	050	KNEE FRAME - SILVER	1	196-791-080
010	WEIGHT STACK GUIDE TUBE	2	DF-101-048	051	KNEE CUSHION - ORANGE	1	A911-31
011	23-POSITION TUBE	1	096-713-011	051	KNEE CUSHION - BLACK	1	A911-31B
012	SPACER TUBE	2	DF-100-012	052	AXLE	2	DF-107-052
013	WEIGHT STACK BRACKET	1	196-091-040	053	AXLE	8	DF-107-053
014	GUIDE RING	4	A911-38	054	GUIDE ROLLER	8	DF-107-054
015	GUIDE RING	2	P711-077	055	BUSHING	16	DF-107-055
016	5KG WEIGHT PLATE	22	DF-100-016	056	COVER - GREY	4	P711-156G
017	COVER BRACKET	1	S972-415	056	COVER - SILVER	4	P711-156S
018	WEIGHT STACK CUSHION	2	A911-48	057	FRAME - SILVER	1	P711-487
019	SELECTOR FORK - W/CORD	1	A911-50	057	FRAME - GREY	1	196-791-09K
020	SELECTOR FORK - NO CORD	1	190-591-530	058	AXLE	1	DF-107-058
021	RETRACTING CABLE	1	DF-100-021	059	ADJUSTMENT KNOB	1	A911-28
022	CABLE BRACKET	1	A911-055	060	PULL-UP ASSEMBLY - SILVER	1	DF-107-060
023	PLATE BRACKET	1	196-710-26L	060	PULL-UP ASSEMBLY - GREY	1	196-791-12K
024	PLATE STICKER - 5KG (YELLOW)	1	DF-101-070	061	END CAP	2	080-230-015
024	PLATE STICKER - 5KG (GREEN)	1	S912-047	062	END CAP	1	DF-102-027
025	PLATE STICKER - 10-60KG (YELLOW)	1	DF-101-070A	063	STRENGTH CABLE - (?)	1	DF-107-063
025	PLATE STICKER - 10-60KG (GREEN)	1	S911-048	064	REAR COVER ASSEMBLY	1	196-791-140
026	PLATE STICKER - 65-100KG (YELLOW)	1	090-563-164	065	LUBE - 1X50CC	1	000-051-021
026	PLATE STICKER - 65-100KG (GREEN)	1	S911-049				
027	PLATE STICKER - 5-100KG (YELLOW)	1	190-791-100				
028	COVER BRACKET	1	S972-416				
029	MAIN FRAME - SILVER	1	196-791-060				
029	MAIN FRAME - GREY	1	196-791-06K				
030	BRACKET	2	196-091-130				
031	PULLEY	1	A971-08				
032	AXLE	1	DF-100-032				
033	HANDLE - SILVER	2	DF-107-033				
033	HANDLE - GREY	2	196-791-07K				
034	BRACKET	2	DF-107-034				
035	RUBBER FOOT	5	P711-414				
036	RUBBER CUSHION	2	A951-84				
037	BRACKET	1	DF-107-037				
038	BOTTLE HOLDER	1	A912-75				
039	REAR SUPPORT LEG - SILVER	1	196-750-068				
039	REAR SUPPORT LEG - GREY	1	196-750-06K				
040	CONNECTOR - GREY	1	P756-182G				
040	CONNECTOR - SILVER	1	P756-182S				
041	END CAP	2	A933-41				
042	GUIDE BRACKET	2	P711-143				
043	VERTICAL TUBE	2	A911-33				
044	WEIGHT STACK CUSHION	2	A911-07				



CHANGE DATE	CHANGE DESCRIPTION	CHANGE NO.	NAME		DRAWN BY	UNITS	MM	SALES BLOW UP DIAGRAM	DIAGRAM NO.	GAH-F001A-B	
					VERIFIED BY		QTY	1			DF-107
							VERSION	B1		MODEL	
							RATIO	1:15			