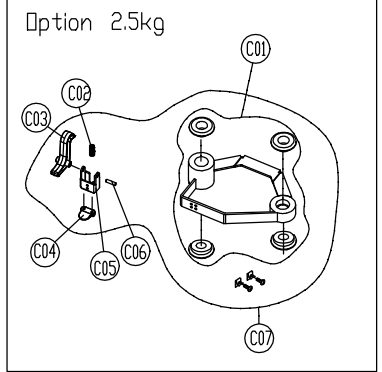


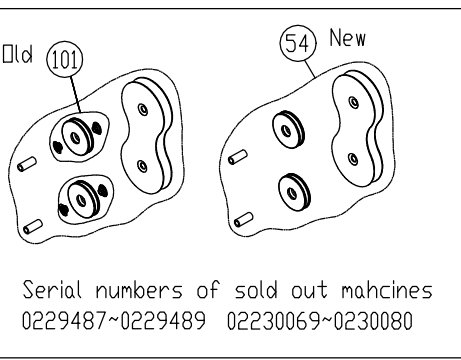
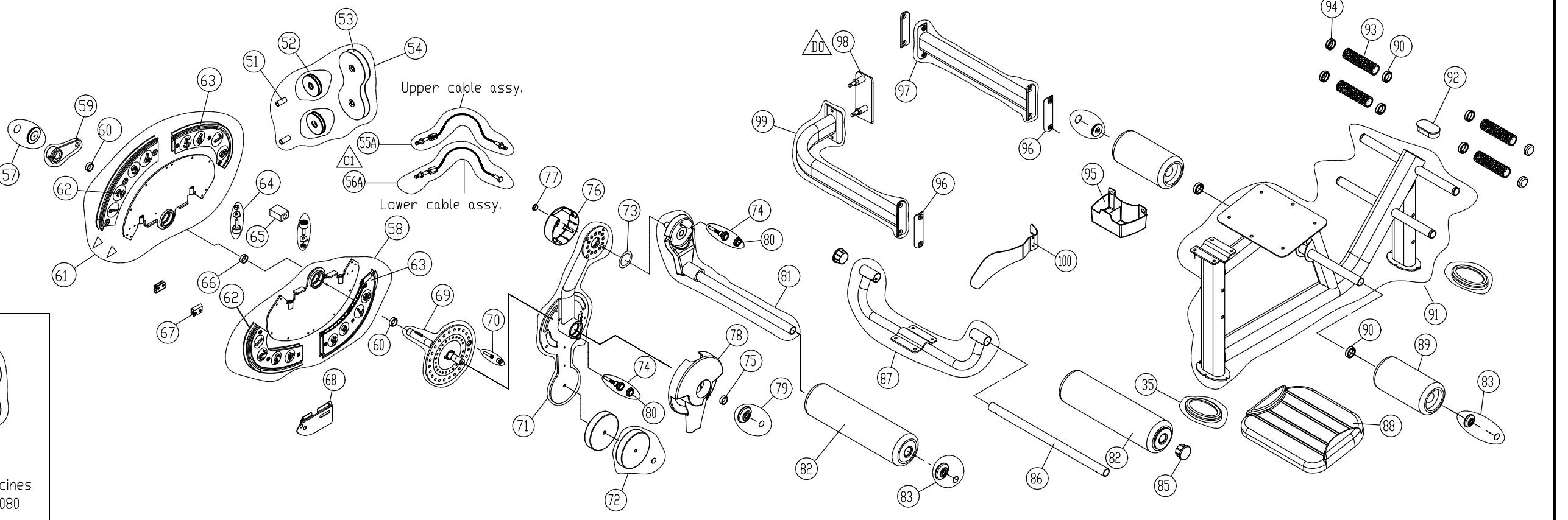
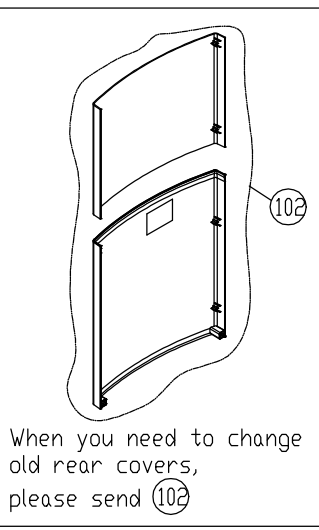
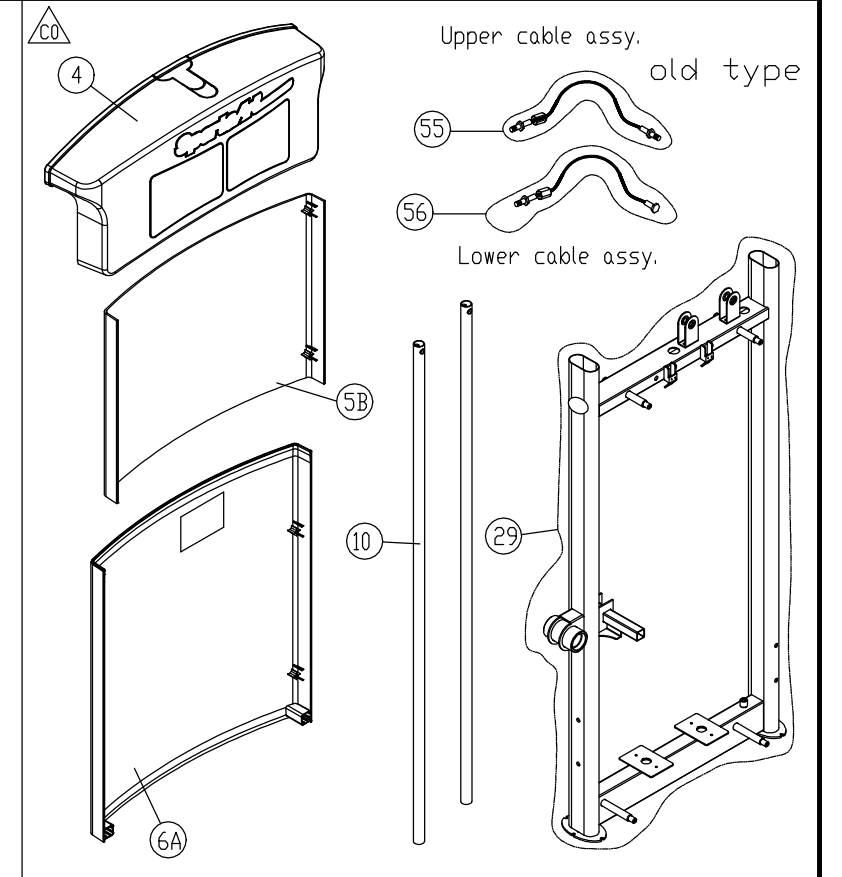
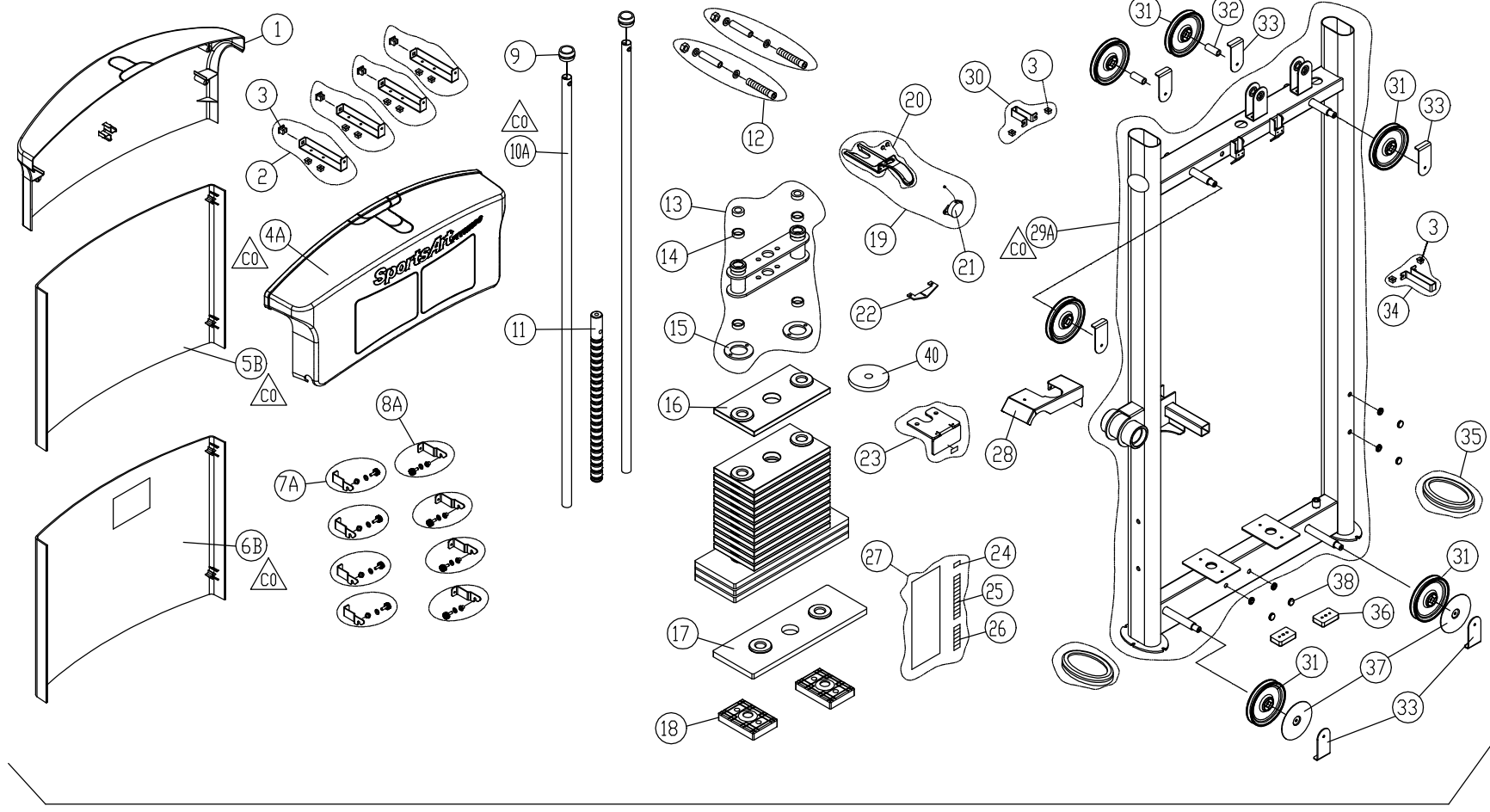
BBL	Description	QTY	Part Number	BBL	Description	QTY	Part Number
001	TOP COVER - REAR	1	S972-002	054	PULLEY ASSEMBLY - GREY	1	196-091-11K
002	COVER BRACKET	4	S972-417	055	STRENGTH CABLE - UPPER - (136")	1	DF-106-055
003	SCREW INSERT	16	000-076-820	055A	STRENGTH CABLE - UPPER - (125")	1	DF-106-055A
004	TOP COVER - FRONT	1	DF-106-004	056	STRENGTH CABLE - LOWER - (136")	1	DF-106-056
004A	TOP COVER - FRONT (NEW)	1	196-691-011	056A	STRENGTH CABLE - LOWER - (125")	1	DF-106-056A
005B	REAR COVER - UPPER	1	DF-100-005A	057	CAP & STICKER - GREY	1	DF-100-057
006A	REAR COVER - LOWER	1	DF-100-006A	058	CAM ASSEMBLY - LOWER	1	196-091-070
006B	REAR COVER - LOWER (NEW)	1	196-091-031	059	SELECTOR	1	196-091-370
007A	BRACKET	4	DF-100-007A	060	BUSHING	2	096-013-270
008A	BRACKET	4	DF-100-008A	061	CAM ASSEMBLY - UPPER	1	196-091-080
009	BUSHING	2	A911-36	062	CAM PLASTIC	2	DF-100-062
010	STACK GUIDE TUBE	2	P711-059	063	CAM PLASTIC	2	DF-100-063
010A	STACK GUIDE TUBE	2	P735-059	064	ADJUSTER	2	196-091-330
011	18-POSITION TUBE	1	DF-100-011	065	STOPPER	1	096-030-081
012	SPACER TUBE	2	DF-100-012	066	BUSHING	1	096-013-090
013	WEIGHT STACK BRACKET	1	196-091-040	067	CABLE BLOCK	2	DF-100-067
014	GUIDE RING	4	A911-38	068	FINGERGUARD	1	DF-100-068
015	GUIDE RING	2	P711-077	069	CAM AXLE	1	196-091-160
016	5KG WEIGHT PLATE	13	DF-100-016	070	SET PIN	1	DF-100-070
017	7.5KG WEIGHT PLATE	4	DF-100-017	071	CAM ARM - SILVER	1	196-691-040
018	WEIGHT STACK CUSHION	2	A911-48	071	CAM ARM - GREY	1	196-691-04K
019	SELECTOR FORK - W/CORD	1	A911-50	072	WEIGHT PLATE (CIRCULAR) - 4KG	2	A917-41
020	SELECTOR FORK - NO CORD	1	190-591-530	073	STICKER - ROTATOR	1	090-663-031
021	RETRACTING CABLE	1	DF-100-021	074	ADJUSTMENT KNOB	2	A911-28
022	CABLE BRACKET	1	A911-055	075	BUSHING	1	A923-98
023	PLATE BRACKET	1	196-091-120	076	ROTATING ARM COVER - SILVER	1	A923-100
024	PLATE STICKER - 5KG (GREEN)	1	S912-047	077	PLUG	1	DF-100-038
025	PLATE STICKER - 10-60KG (YELLOW)	1	DF-101-070A	078	ROTATING ARM COVER - SILVER	1	DF-100-078
025	PLATE STICKER - 10-60KG (GREEN)	1	S911-048	079	CAP & STICKER - SILVER	1	DF-100-079
026	PLATE STICKER - 65-100KG (YELLOW)	1	DF-101-070B	080	CAP	2	DF-100-080
027	PLATE STICKER - 5-100KG (YELLOW)	1	DF-100-027	081	CUSHION ARM - SILVER	1	196-691-050
027	PLATE STICKER - 5-100KG (GREEN)	1	103-191-230	081	CUSHION ARM - GREY	1	196-691-05K
028	COVER - SILVER	1	196-010-44C	082	CYLINDRICAL CUSHION - ORANGE	2	S931-253
029	MAIN FRAME - SILVER (OLD)	1	196-091-090	082	CYLINDRICAL CUSHION - BLACK	2	S931-253B
029A	MAIN FRAME - GREY	1	196-091-09K	083	END CAP	3	DF-100-083
029A	MAIN FRAME - SILVER	1	196-091-091	085	END CAP	2	6300-84
030	BRACKET	1	196-091-130	086	CUSHION AXLE	1	P731-185
031	PULLEY	6	A971-08	087	CUSHION FRAME - GREY	1	P731-180G
032	AXLE	2	DF-100-032	087	CUSHION FRAME - SILVER	1	P731-180S
033	PULLEY BRACKET - SILVER	6	DF-100-033	088	SEAT BOTTOM - ORANGE	1	A932-43
034	BRACKET	1	DF-107-034	088	SEAT BOTTOM - BLACK	1	A932-43B
035	RUBBER FOOT	4	P711-414	089	CYLINDRICAL CUSHION - ORANGE	2	A93-60
036	RUBBER CUSHION	2	A951-84	089	CYLINDRICAL CUSHION - BLACK	2	S931-219B
037	PULLEY COVER - SILVER	2	A93-41	090	HANDLEBAR RING	6	A931-40
038	CAP	8	DF-100-039	091	SEAT FRAME - SILVER	1	196-691-060
040	WEIGHT PLATE - 1.6KG	1	A916-19	091	SEAT FRAME - GREY	1	196-691-06K
051	AXLE	2	093-013-421	092	END CAP	1	DF-102-027
052	PULLEY	2	A971-08	093	RUBBER GRIP	4	DF-106-093
053	PULLEY BRACKET - SILVER	2	DF-100-053	094	END CAP	4	DF-102-073
053	PULLEY BRACKET - GREY	2	193-010-40K	095	BOTTLE HOLDER (OLD)	1	A912-75
054	PULLEY ASSEMBLY - SILVER	1	DF-100-054	096	CONNECTOR PLATE - GREY	3	P711-192G

BBL	Description	QTY	Part Number	BBL	Description	QTY	Part Number
096	CONNECTOR PLATE - SILVER	3	P711-192S				
097	FRAME CONNECTOR - SILVER	1	196-650-02C				
097	FRAME CONNECTOR - GREY	1	196-650-02K				
098	CONNECTOR PLATE - GREY	1	P712-482G				
098	CONNECTOR PLATE - SILVER	1	P712-482S				
099	FRAME CONNECTOR - GREY	1	196-650-03K				
099	FRAME CONNECTOR - SILVER	1	196-650-03C				
100	COVER	1	196-610-16L				
101	PULLEY WHEEL	2	196-091-290				
102	REAR COVER ASSEMBLY	1	196-091-360				
103	LUBE - 4X50CC	1	LUBE-03				



Serial numbers of sold out machines:
 0229487~0229489
 0230069~0230080
 0231931~0231950

When you need to change old 94, please change 4 pcs.



CHANGE DATE	CHANGE DESCRIPTION	CHANGE NO.	NAME	<p>RESTRICTED USAGE , PLEASE DON'T FORWARD TO ANYONE WHO ISN'T AUTHORIZED</p>	DRAWN BY	UNITS	MM	SALES BLOW UP DIAGRAM	DIAGRAM NO.	GAG-F001A-D		
2012.02.15	C1 修改圖面, 原 55B 改為 56A		潘衍耀		VERIFIED BY	QTY	1				MODEL	DF-106
2016.11.01	D0 修改 98	05-20161013M	張又仁			VERSION	D0		XX			
2010.06.11	C0 修改 4=4A, 5A=5B, 6A=6B, 10=10A, 29=29A, 55=55A, 56=56A,	05-990407M	林雅青			RATIO	1:17					