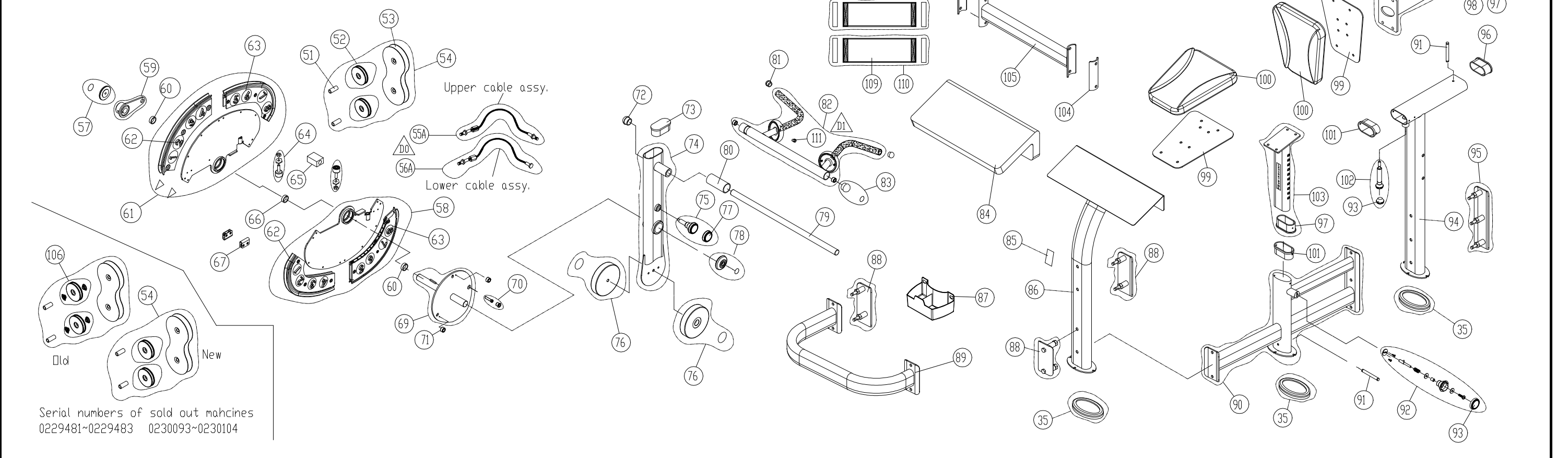
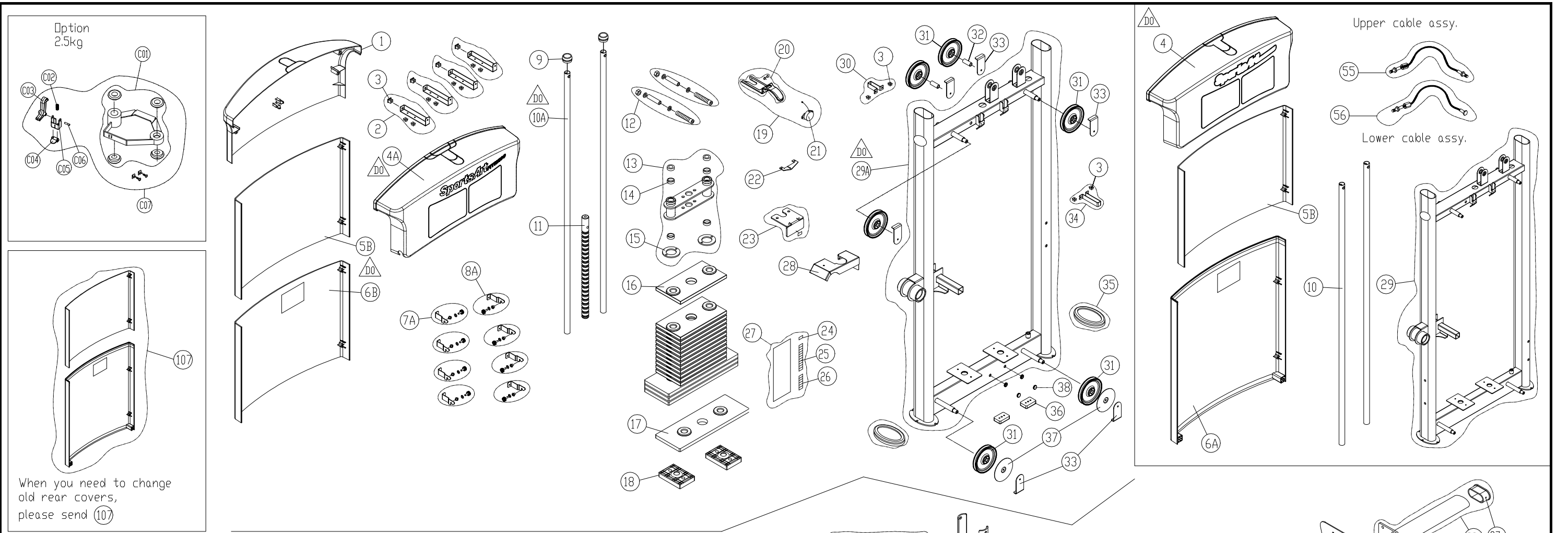


| BBL  | Description                       | QTY | Part Number | BBL  | Description                     | QTY | Part Number |
|------|-----------------------------------|-----|-------------|------|---------------------------------|-----|-------------|
| 001  | TOP COVER - REAR                  | 1   | S972-002    | 054  | PULLEY ASSEMBLY - SILVER        | 1   | DF-100-054  |
| 002  | COVER BRACKET                     | 4   | S972-417    | 054  | PULLEY ASSEMBLY - GREY          | 1   | 196-091-11K |
| 003  | SCREW INSERT                      | 16  | 000-076-820 | 055  | STRENGTH CABLE - UPPER - (137") | 1   | DF-100-055  |
| 004  | TOP COVER - FRONT                 | 1   | 196-591-010 | 055A | STRENGTH CABLE - UPPER - (125") | 1   | DF-100-055A |
| 004A | TOP COVER - FRONT (NEW)           | 1   | 196-591-011 | 056  | STRENGTH CABLE - LOWER - (137") | 1   | DF-100-056  |
| 005B | REAR COVER - UPPER                | 1   | DF-100-005A | 056A | STRENGTH CABLE - LOWER - (125") | 1   | DF-100-056A |
| 006A | REAR COVER - LOWER                | 1   | DF-100-006A | 057  | CAP & STICKER - GREY            | 1   | DF-100-057  |
| 006B | REAR COVER - LOWER (NEW)          | 1   | 196-091-031 | 058  | CAM - BOTTOM                    | 1   | 196-591-030 |
| 007A | BRACKET                           | 4   | DF-100-007A | 059  | SELECTOR                        | 1   | 196-091-370 |
| 008A | BRACKET                           | 4   | DF-100-008A | 060  | BUSHING                         | 2   | 096-013-270 |
| 009  | BUSHING                           | 2   | A911-36     | 061  | CAM - UPPER                     | 1   | DF-105-061  |
| 010  | STACK GUIDE TUBE                  | 2   | P711-059    | 062  | CAM PLASTIC COVER               | 2   | P712-110    |
| 010A | STACK GUIDE TUBE                  | 2   | P735-059    | 063  | CAM PLASTIC COVER               | 2   | P712-112    |
| 011  | 18-POSITION TUBE                  | 1   | 096-013-042 | 064  | ADJUSTER                        | 2   | 196-091-330 |
| 012  | SPACER TUBE                       | 2   | DF-100-012  | 065  | STOPPER                         | 1   | 096-030-081 |
| 013  | WEIGHT STACK BRACKET              | 1   | 196-091-040 | 066  | BUSHING                         | 1   | 096-013-090 |
| 014  | GUIDE RING                        | 4   | A911-38     | 067  | CABLE BLOCK                     | 2   | DF-100-067  |
| 015  | GUIDE RING                        | 2   | P711-077    | 069  | ROTATOR                         | 1   | 196-591-050 |
| 016  | 5KG WEIGHT PLATE                  | 13  | DF-100-016  | 070  | SET PIN                         | 1   | DF-100-070  |
| 017  | 7.5KG WEIGHT PLATE                | 4   | DF-100-017  | 071  | STOPPER                         | 2   | DF-100-095  |
| 018  | WEIGHT STACK CUSHION              | 2   | A911-48     | 072  | END CAP                         | 2   | 6300-84     |
| 019  | SELECTOR FORK - W/CORD            | 1   | A911-50     | 073  | END CAP                         | 1   | DF-102-027  |
| 020  | SELECTOR FORK - NO CORD           | 1   | 190-591-530 | 074  | HANDLE FRAME - GREY             | 1   | 196-591-06K |
| 021  | RETRACTING CABLE                  | 1   | DF-100-021  | 074  | HANDLE FRAME - SILVER           | 1   | 196-591-06C |
| 022  | CABLE BRACKET                     | 1   | A911-055    | 075  | ADJUSTMENT KNOB                 | 1   | DF-105-075  |
| 023  | PLATE BRACKET                     | 1   | 196-091-120 | 076  | WEIGHT PLATE - 4KG              | 2   | A917-41     |
| 024  | PLATE STICKER - 5KG (YELLOW)      | 1   | DF-101-070  | 077  | CAP                             | 1   | DF-100-080  |
| 024  | PLATE STICKER - 5KG (GREEN)       | 1   | S912-047    | 078  | CAP & STICKER - SILVER          | 1   | DF-100-079  |
| 025  | PLATE STICKER - 10-60KG (YELLOW)  | 1   | DF-101-070A | 079  | HANDLE AXLE                     | 1   | DF-105-079  |
| 025  | PLATE STICKER - 10-60KG (GREEN)   | 1   | S911-048    | 080  | RUBBER COVER                    | 1   | P712-161    |
| 026  | PLATE STICKER - 65-100KG (YELLOW) | 1   | DF-101-070B | 081  | HANDLEBAR CAP                   | 2   | C521R-170   |
| 027  | PLATE STICKER - 5-100KG (GREEN)   | 1   | 103-191-230 | 082  | HANDLE - GREY                   | 1   | 196-591-07K |
| 027  | PLATE STICKER - 5-100KG (YELLOW)  | 1   | DF-100-027  | 082  | HANDLE - SILVER                 | 1   | DF-105-082  |
| 028  | COVER - GREY                      | 1   | 196-010-44K | 083  | END CAP                         | 1   | DF-105-083  |
| 028  | COVER - SILVER                    | 1   | 196-010-44C | 084  | ELBOW PAD - BLACK               | 1   | A912-48B    |
| 029  | MAIN FRAME - SILVER               | 1   | 196-591-020 | 084  | ELBOW PAD - ORANGE              | 1   | A912-48     |
| 029A | MAIN FRAME - SILVER (NEW)         | 1   | 196-591-021 | 085  | PROTECTIVE STICKER              | 1   | DF-105-085  |
| 029A | MAIN FRAME - GREY (NEW)           | 1   | 196-591-02K | 086  | ELBOW FRAME - SILVER            | 1   | 196-550-20C |
| 030  | BRACKET                           | 1   | 196-091-130 | 086  | ELBOW FRAME - GREY              | 1   | 196-550-20K |
| 031  | PULLEY                            | 6   | A971-08     | 087  | BOTTLE HOLDER                   | 1   | A912-75     |
| 032  | AXLE                              | 2   | DF-100-032  | 088  | CONNECTOR PLATE - GREY          | 3   | P712-482G   |
| 033  | PULLEY BRACKET - SILVER           | 6   | DF-100-033  | 088  | CONNECTOR PLATE - SILVER        | 3   | P712-482S   |
| 034  | BRACKET                           | 1   | DF-107-034  | 089  | CONNECTOR FRAME - GREY          | 1   | 196-550-04K |
| 035  | RUBBER FOOT                       | 5   | P711-414    | 089  | CONNECTOR FRAME - SILVER        | 1   | 196-550-04C |
| 036  | RUBBER CUSHION                    | 2   | A951-84     | 090  | SEAT FRAME - GREY               | 1   | 196-550-23K |
| 037  | PULLEY COVER - SILVER             | 2   | 193-010-31C | 090  | SEAT FRAME - SILVER             | 1   | 196-550-23C |
| 038  | CAP                               | 4   | DF-100-039  | 091  | PIN                             | 2   | A981-20     |
| 051  | AXLE                              | 2   | 093-013-421 | 092  | ADJUSTMENT KNOB                 | 1   | DF-100-088  |
| 052  | PULLEY                            | 2   | A971-08     | 093  | ADJUSTMENT KNOB CAP             | 1   | 092-130-060 |
| 053  | PULLEY BRACKET - SILVER           | 1   | DF-100-053  | 094  | SEAT BACK FRAME - GREY          | 1   | 196-550-06K |
| 053  | PULLEY BRACKET - GREY             | 1   | 193-010-40K | 094  | SEAT BACK FRAME - SILVER        | 1   | 196-550-06C |

| BBL | Description                 | QTY | Part Number | BBL | Description | QTY | Part Number |
|-----|-----------------------------|-----|-------------|-----|-------------|-----|-------------|
| 095 | CONNECTING PLATE - GREY     | 1   | P725-489G   |     |             |     |             |
| 095 | CONNECTING PLATE - SILVER   | 1   | P725-489S   |     |             |     |             |
| 096 | END CAP                     | 1   | A991-09     |     |             |     |             |
| 097 | SEAT POST COLLAR            | 2   | C570U-97    |     |             |     |             |
| 098 | SEAT BACK POST              | 1   | 196-591-110 |     |             |     |             |
| 099 | SEAT CUSHION FRAME - SILVER | 2   | 190-510-19C |     |             |     |             |
| 100 | SEAT PAD - BLACK            | 2   | A912-38B    |     |             |     |             |
| 100 | SEAT PAD - ORANGE           | 2   | A912-38     |     |             |     |             |
| 101 | TUBE SHEATH                 | 2   | DF-100-094  |     |             |     |             |
| 102 | ADJUSTMENT KNOB             | 1   | DF-105-102  |     |             |     |             |
| 103 | SEAT BOTTOM POST            | 1   | 196-591-120 |     |             |     |             |
| 104 | CONNECTOR PLATE - GREY      | 2   | P711-192G   |     |             |     |             |
| 104 | CONNECTOR PLATE - SILVER    | 2   | P711-192S   |     |             |     |             |
| 105 | CONNECTOR ARM - GREY        | 1   | 196-050-12K |     |             |     |             |
| 105 | CONNECTOR ARM - SILVER      | 1   | 196-050-12C |     |             |     |             |
| 106 | PULLEY WHEEL                | 2   | 196-091-290 |     |             |     |             |
| 107 | REAR COVER ASSEMBLY         | 1   | 196-091-360 |     |             |     |             |
| 108 | LUBE - 1X50CC               | 1   | 000-051-021 |     |             |     |             |
| 109 | ARM REST FABRIC - ORANGE    | 2   | DF-105-109  |     |             |     |             |
| 109 | ARM REST FABRIC - BLACK     | 2   | 092-585-015 |     |             |     |             |
| 110 | ARM REST FABRIC - ORANGE    | 2   | DF-105-110  |     |             |     |             |
| 110 | ARM REST FABRIC - BLACK     | 2   | 192-591-141 |     |             |     |             |
| 111 | SCREW - B/H (M8*P1.25*L12)  | 1   | 002-205-161 |     |             |     |             |
| C07 | 2.5KG MIRCO ADJUSTMENT KIT  | 1   | SALES       |     |             |     |             |



Serial numbers of sold out machines  
0229481~0229483 0230093~0230104

| CHANGE DATE | CHANGE DESCRIPTION   | CHANGE NO. | NAME | <p>RESTRICTED USAGE,<br/>PLEASE DON'T FORWARD TO ANYONE WHO ISN'T AUTHORIZED</p> | DRAWN BY    | UNITS   | MM   | SALES BLOW UP DIAGRAM | DIAGRAM NO. | GAF-F001A-D |       |        |
|-------------|--|------------|------|--|-------------|---------|------|-----------------------|-------------|-------------|-------|--------|
| 2010.06.11  | 修改 (4)=4A, (5A)=5B, (6A)=6B, (10)=10A, (29)=29A, (55)=55A, (56)=56A, | 05-990407M | 林雅青  |  |             | QTY     | 1    |                       |             |             |       |        |
| 2014.11.26  | 增加 (111)   |            | 林士文  |  | VERIFIED BY | VERSION | D1   |                       | XX          |             | MODEL | DF-105 |
| 20091103    | 增加 (109) (110)   | 05-981023M | 林士文  |  |             | RATIO   | 1:17 |                       |             |             |       |        |