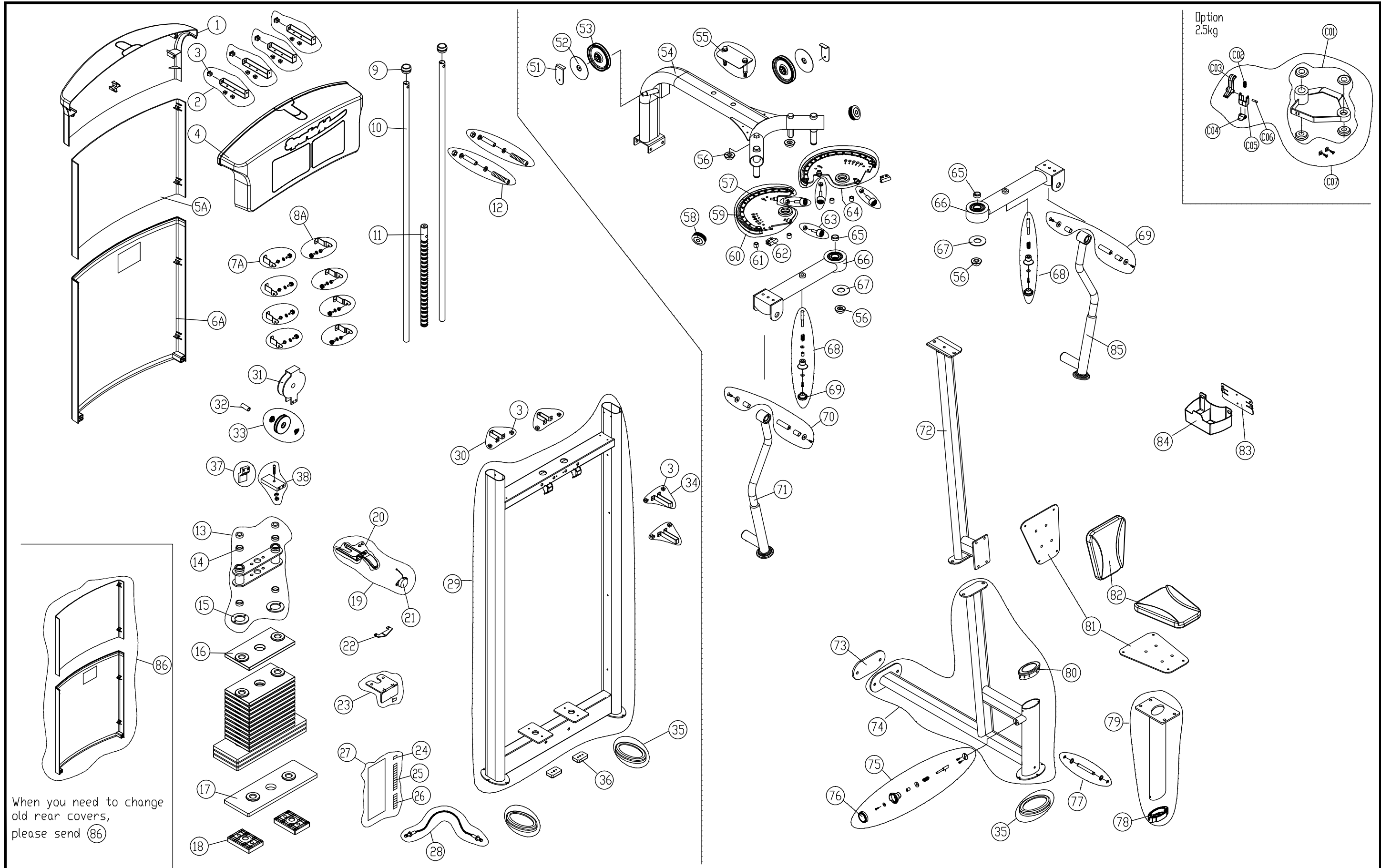


BBL	Description	QTY	Part Number	BBL	Description	QTY	Part Number
001	TOP COVER - REAR	1	S972-002	057	CAM PLASTIC COVER	2	P712-110
002	COVER BRACKET	4	S972-417	058	END CAP	2	DF-104-058
003	SCREW INSERT	16	000-076-820	059	CAM PLASTIC COVER	2	P712-112
004	TOP COVER - FRONT	1	196-491-010	060	CAM	1	P722-484
005A	REAR COVER - UPPER	1	DF-100-005A	061	STOPPER	4	DF-100-095
006A	REAR COVER - LOWER	1	DF-100-006A	062	CABLE BLOCK	2	DF-100-067
007A	BRACKET	4	DF-100-007A	063	STOPPER	4	DF-104-063
008A	BRACKET	4	DF-100-008A	064	CAM	1	P722-485
009	BUSHING	2	A911-36	065	BUSHING	2	096-413-050
010	STACK GUIDE TUBE	2	P711-059	066	PEC ARM - SILVER	2	P722-488
011	18-POSITION TUBE	1	096-013-042	066	PEC ARM - GREY	1	196-491-06K
012	SPACER TUBE	2	DF-100-012	067	WASHER - (D55*D26*T2.0)	2	103-301-157
013	WEIGHT STACK BRACKET	1	196-091-040	068	ADJUSTMENT KNOB	2	DF-104-068
014	GUIDE RING	4	A911-38	069	CAP	1	DF-100-080
015	GUIDE RING	2	P711-077	070	AXLE	2	A922-59
016	5KG WEIGHT PLATE	13	DF-100-016	071	ARM - LEFT - SILVER	1	P722-489S
017	7.5KG WEIGHT PLATE	4	DF-100-017	071	ARM - LEFT - GREY	1	P722-489G
018	WEIGHT STACK CUSHION	2	A911-48	072	FRAME ARM - SILVER	1	P722-200S
019	SELECTOR FORK - W/CORD	1	A911-50	072	FRAME ARM - GREY	1	P722-200G
020	SELECTOR FORK - NO CORD	1	190-591-530	073	CONNECTOR PLATE - SILVER	1	196-610-04C
021	RETRACTING CABLE	1	DF-100-021	073	CONNECTOR PLATE - GREY	1	196-610-04K
022	CABLE BRACKET	1	A911-055	074	SEAT FRAME - GREY	1	196-491-08K
023	PLATE BRACKET	1	196-091-120	074	SEAT FRAME - SILVER	1	196-491-080
024	PLATE STICKER - 5KG (YELLOW)	1	DF-101-070	075	ADJUSTMENT KNOB	1	DF-100-088
024	PLATE STICKER - 5KG (GREEN)	1	S912-047	076	ADJUSTMENT KNOB CAP	1	092-130-060
025	PLATE STICKER - 10-60KG (YELLOW)	1	DF-101-070A	077	AXLE	1	196-491-090
025	PLATE STICKER - 10-60KG (GREEN)	1	S911-048	078	SEAT POST COLLAR	1	C570U-97
026	PLATE STICKER - 65-100KG (YELLOW)	1	DF-101-070B	079	SEAT POST	1	DF-103-420
027	PLATE STICKER - 5-100KG (YELLOW)	1	DF-100-027	080	TUBE SHEATH	1	DF-100-094
027	PLATE STICKER - 5-100KG (GREEN)	1	103-191-230	081	SEAT CUSHION FRAME - SILVER	1	190-510-19C
028	STRENGTH CABLE - (173.4")	1	DF-104-028	081	SEAT CUSHION FRAME - GREY	1	190-510-19K
029	MAIN FRAME - SILVER	1	196-491-020	082	SEAT PAD - ORANGE	2	A912-38
029	MAIN FRAME - GREY	1	196-491-02K	082	SEAT PAD - GREY	2	A912-38B
030	BRACKET	2	196-091-130	083	BRACKET	1	196-410-060
031	PULLEY BRACKET - GREY	1	193-010-24L	084	BOTTLE HOLDER	1	A912-75
031	PULLEY BRACKET - SILVER	1	A93-02	085	ARM - RIGHT - GREY	1	P722-491G
032	AXLE	1	A93-03	085	ARM - RIGHT - SILVER	1	P722-491S
033	PULLEY WHEEL	1	A93-04	086	REAR COVER ASSEMBLY	1	196-091-360
034	BRACKET	2	DF-107-034	087	LUBE - 1X50CC	1	000-051-021
035	RUBBER FOOT	2	P711-414	C07	2.5KG MIRCO ADJUSTMENT KIT	1	SALES
036	RUBBER CUSHION	2	A951-84				
037	BRACKET	1	A93-05				
038	BELT ADJUSTMENT	1	A93-06				
051	PULLEY BRACKET	2	DF-100-033				
052	PULLEY COVER	2	A93-41				
053	PULLEY	2	A971-08				
054	LAT FRAME - GREY	1	196-450-02K				
054	LAT FRAME - SILVER	1	196-450-02C				
055	CONNECTOR PLATE - GREY	1	P712-482G				
055	CONNECTOR PLATE - SILVER	1	P712-482S				
056	RUBBER CUSHION	4	A971-44				



When you need to change old rear covers, please send (86)

CHANGE DATE	CHANGE DESCRIPTION	CHANGE NO.	NAME		DRAWN BY	UNITS	MM	SALES BLOW UP DIAGRAM	DIAGRAM NO.	GAE-F001A-B	
					VERIFIED BY	QTY	1				DF-104
						VERSION	B0			MODEL	
						RATIO	1:15				