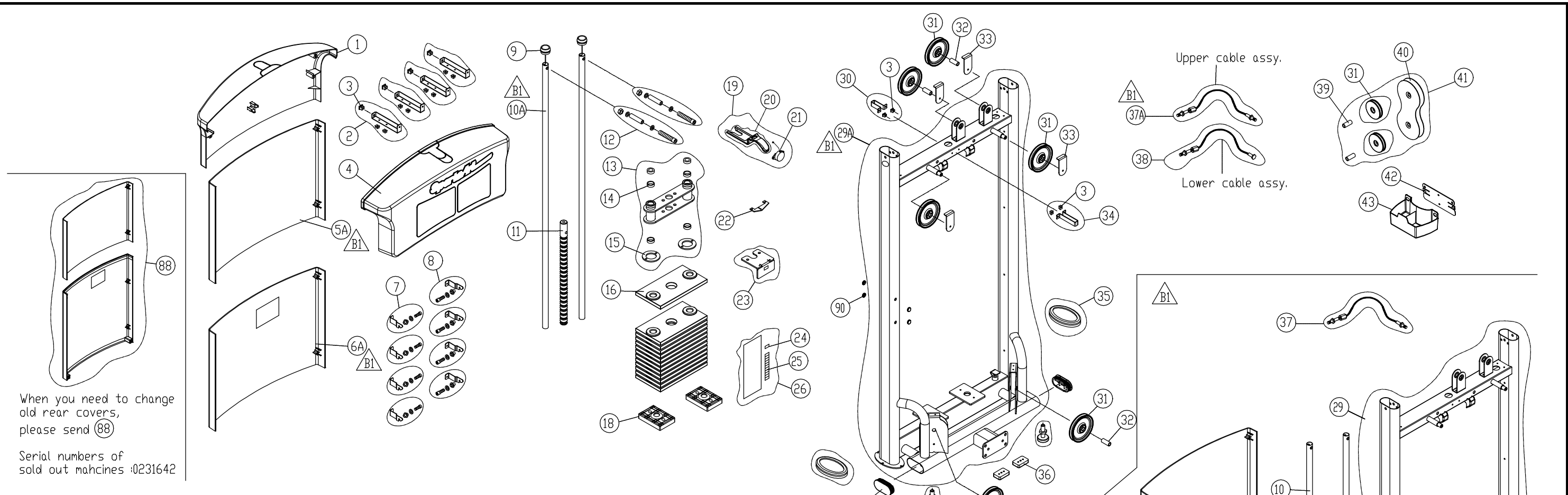


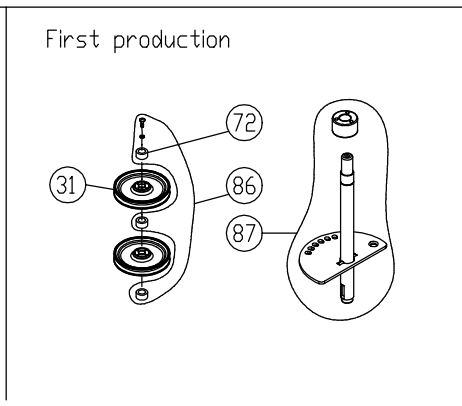
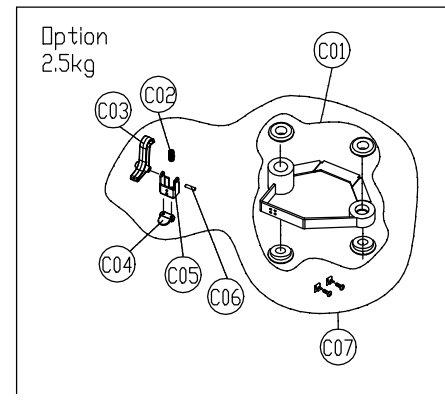
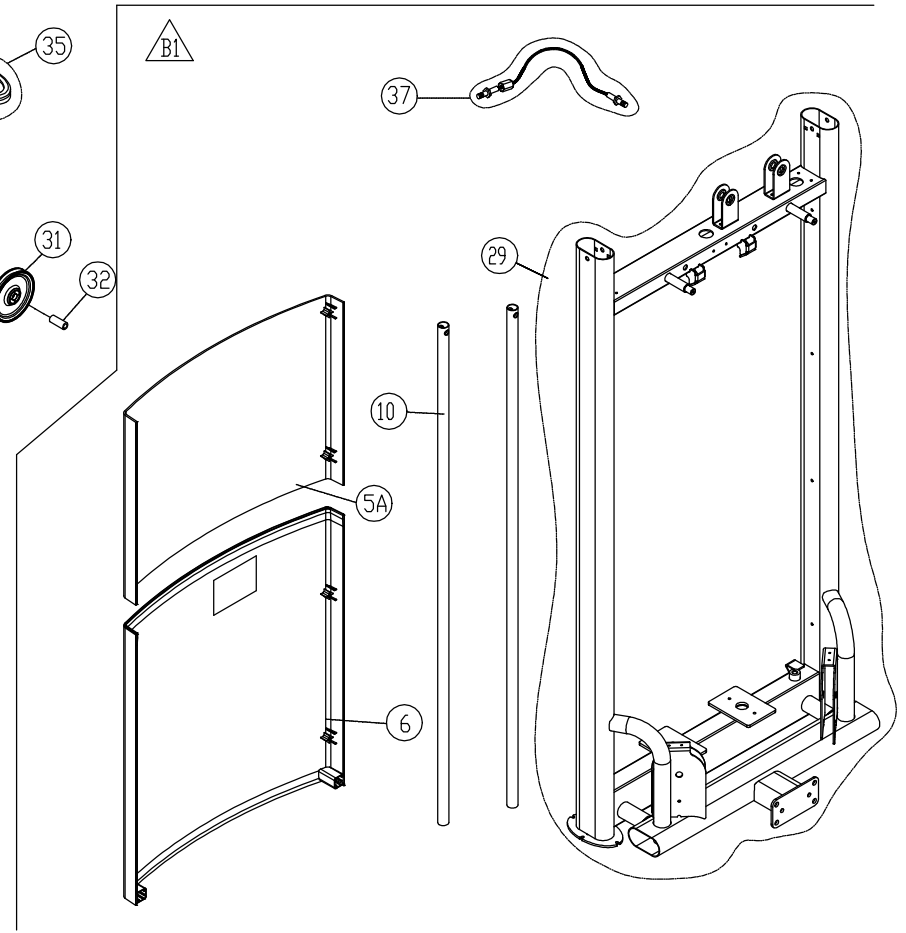
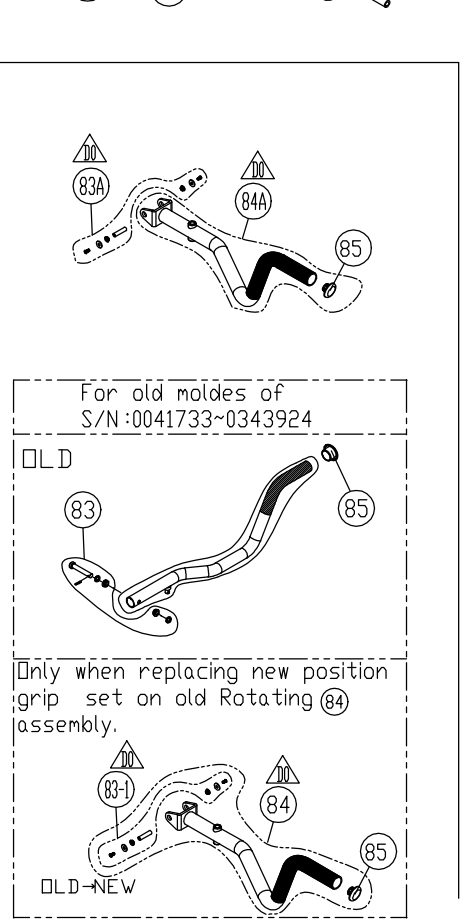
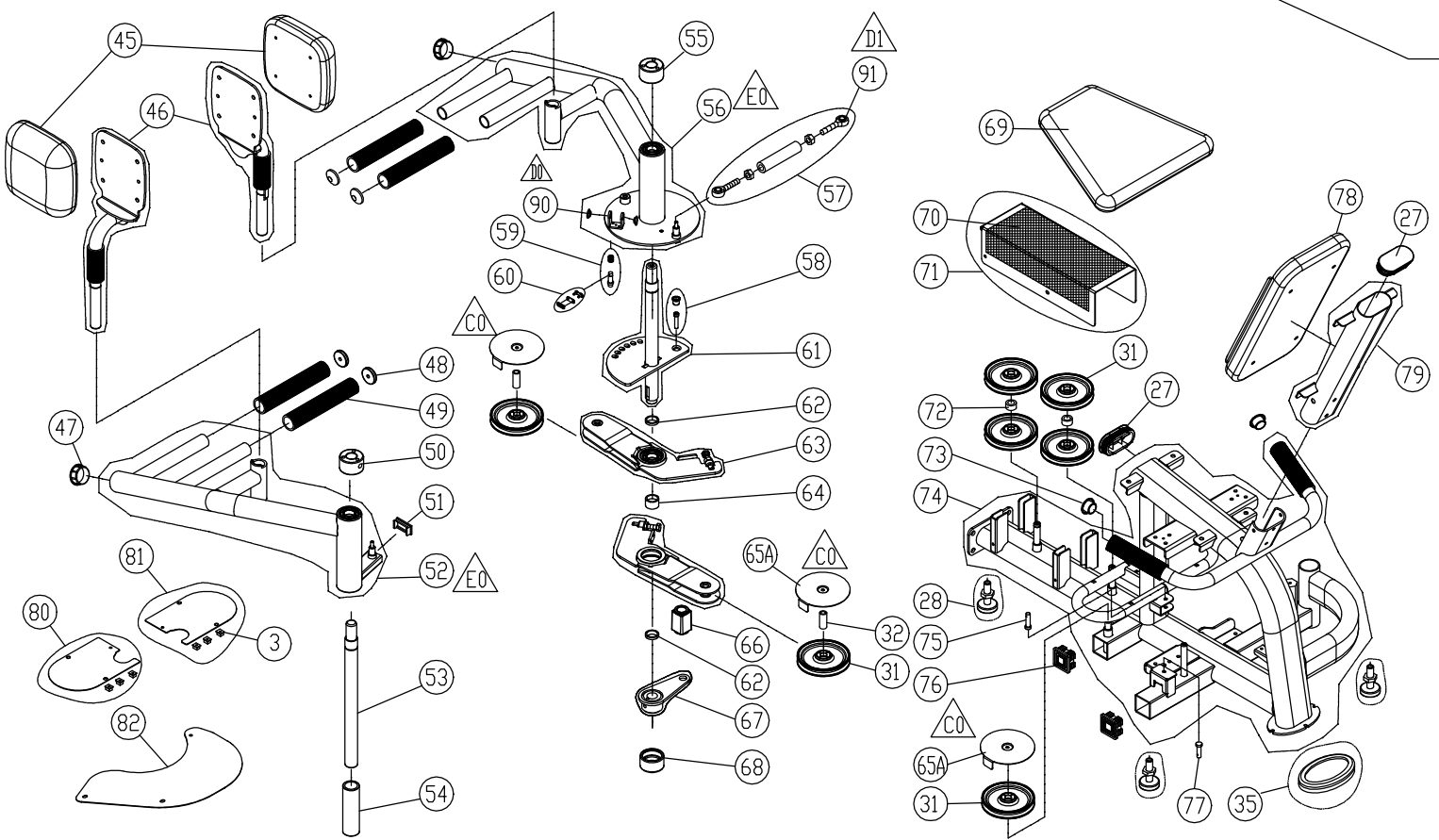
BBL	Description	QTY	Part Number	BBL	Description	QTY	Part Number
001	TOP COVER - REAR	1	S972-002	045	LEG CUSHION - ORANGE	2	DF-102-045
002	COVER BRACKET	4	S972-417	046	LEG CUSHION FRAME - GREY	2	196-291-06K
003	SCREW INSERT	26	000-076-820	046	LEG CUSHION FRAME - SILVER	2	DF-102-046
004	TOP COVER - FRONT	1	DF-102-004	047	END CAP	2	8300-26
005A	REAR COVER - UPPER	1	DF-100-005A	048	RUBBER BUMPER	4	A951-100
006	REAR COVER - LOWER	1	DF-100-006A	049	RUBBER GRIP	4	DF-102-049
006A	REAR COVER - LOWER (NEW)	1	196-091-031	050	BUSHING	1	A951-77
007	BRACKET	4	DF-100-007A	051	END CAP	1	C51R-05
008	BRACKET	4	DF-100-008A	052	PRESS FRAME - LEFT - SILVER	1	196-291-070
009	BUSHING	2	A911-36	052	PRESS FRAME - LEFT - GREY	1	196-291-07K
010	STACK GUIDE TUBE	2	P711-059	053	ROTATING AXLE	1	P751-196
010A	STACK GUIDE TUBE	2	P735-059	054	BUSHING	1	096-213-070
011	13-POSITION TUBE	1	P751-063	055	BUSHING	1	196-291-080
012	SPACER TUBE	2	DF-100-012	056	PRESS FRAME - RIGHT - SILVER	1	196-291-090
013	WEIGHT STACK BRACKET	1	196-091-040	056	PRESS FRAME - RIGHT - GREY	1	196-291-09K
014	GUIDE RING	4	A911-38	057	CONNECTOR - GREY	1	195-191-13K
015	GUIDE RING	2	P711-077	057	CONNECTOR - SILVER	1	195-191-130
016	5KG WEIGHT PLATE	12	DF-100-016	058	SET PIN	1	DF-100-070
018	WEIGHT STACK CUSHION	2	A911-48	059	PIN	1	A951-66
019	SELECTOR FORK - W/CORD	1	A911-50	060	CONNECTOR	1	A93-227
020	SELECTOR FORK - NO CORD	1	190-591-530	061	SELECTOR CAM	1	196-291-100
021	RETRACTING CABLE	1	DF-100-021	062	BUSHING	2	096-013-270
022	CABLE BRACKET	1	A911-055	063	SELECTOR ARM	2	196-291-110
023	PLATE BRACKET	1	196-091-120	064	BUSHING	1	096-013-090
024	PLATE STICKER - 5KG (YELLOW)	1	DF-101-070	065A	PULLEY COVER - SILVER	3	P712-032S
024	PLATE STICKER - 5KG (GREEN)	1	S912-047	066	STOPPER	1	096-030-081
025	PLATE STICKER - 65-100KG (YELLOW)	1	093-063-012	067	SELECTOR	1	196-091-370
025	PLATE STICKER - 65-100KG (GREEN)	1	S911-049	068	BUSHING	1	196-291-120
025	PLATE STICKER - 10-60KG (GREEN)	1	S911-048	069	SEAT BOTTOM - ORANGE	1	A951-60
026	PLATE STICKER - 5-70KG (YELLOW)	1	DF-102-026	070	RUBBER COVER	1	196-230-010
027	END CAP	4	DF-102-027	071	METAL COVER - SILVER	1	196-291-130
028	LEVELLER	5	DF-102-028	071	METAL COVER - GREY	1	196-291-13K
029A	MAIN FRAME - SILVER	1	196-291-021	072	BUSHING	2	070-313-090
029A	MAIN FRAME - GREY	1	196-291-02K	073	END CAP	2	DF-102-073
030	BRACKET	1	196-091-130	074	SEAT FRAME - SILVER	1	196-291-140
031	PULLEY	15	A971-08	074	SEAT FRAME - GREY	1	196-291-14K
032	AXLE	6	DF-100-032	075	PIN	2	004-404-002
033	PULLEY BRACKET - SILVER	4	DF-100-033	076	END CAP	2	C51U-42
034	BRACKET	1	DF-107-034	077	PIN	2	004-404-002
035	RUBBER FOOT	3	P711-414	078	BACK CUSHION - ORANGE	1	DF-100-092
036	RUBBER CUSHION	2	A951-84	079	SEAT BACK FRAME - GREY	1	P751-244G
037	STRENGTH CABLE - UPPER - (217")	1	DF-102-037	079	SEAT BACK FRAME - SILVER	1	P751-244S
037A	STRENGTH CABLE - UPPER - (193")	1	DF-102-037A	080	PULLEY COVER - RIGHT - SILVER	1	196-291-150
038	STRENGTH CABLE - LOWER	1	DF-102-038	081	PULLEY COVER - LEFT - SILVER	1	196-291-160
039	AXLE	2	093-013-421	082	COVER PLATE - GREY	1	P751-206G
040	PULLEY BRACKET - GREY	2	193-010-40K	082	COVER PLATE - SILVER	1	P751-206S
040	PULLEY BRACKET - SILVER	2	DF-100-053	083	PIN	2	DF-102-083
041	PULLEY ASSEMBLY - GREY	1	196-091-11K	083.1	PIN (NEW)	1	103-591-515
041	PULLEY ASSEMBLY - SILVER	1	DF-100-054	083A	PIN ASSEMBLY (NEW)	1	103-591-510
042	BRACKET	1	DF-102-042	084	ADJUSTMENT HANDLE - SILVER	1	196-291-180
043	BOTTLE HOLDER (OLD)	1	A912-75	084	ADJUSTMENT HANDLE - GREY	1	196-291-18K

BBL	Description	QTY	Part Number	BBL	Description	QTY	Part Number
084A	ADJUSTMENT HANDLE - SILVER	1	196-291-250				
084A	ADJUSTMENT HANDLE - GREY	1	196-291-25K				
085	HANDLEBAR CAP	1	C521R-170				
086	BUSHING (OLD)	1	196-291-190				
087	SELECTOR CAM (OLD)	1	196-291-200				
088	REAR COVER ASSEMBLY	1	196-091-360				
089	LUBE - 4X50CC	1	LUBE-03				
090	BUSHING	2	000-004-910				



When you need to change old rear covers, please send (88)

Serial numbers of sold out machines :0231642



CHANGE DATE	CHANGE DESCRIPTION	CHANGE NO.	NAME	 <p>RESTRICTED USAGE , PLEASE DON'T FORWARD TO ANYONE WHO ISN'T AUTHORIZED</p>	DRAWN BY	UNITS	MM	SALES BLOW UP DIAGRAM	DIAGRAM NO.	GAC-F001A-E	
2017.06.01	修改 (52) (56)	05-20170510M	張又仁		VERIFIED BY	QTY	1				DF-102
2016.08.31	增加 (83-1) (90) 修改 (83)-(83A) (84)-(84A)	05-20160510M	尤淑芬			VERSION	E0	XX		MODEL	
2016.12.07	增加 (91) 端桿軸承單獨選擇		張又仁			RATIO	1:17				