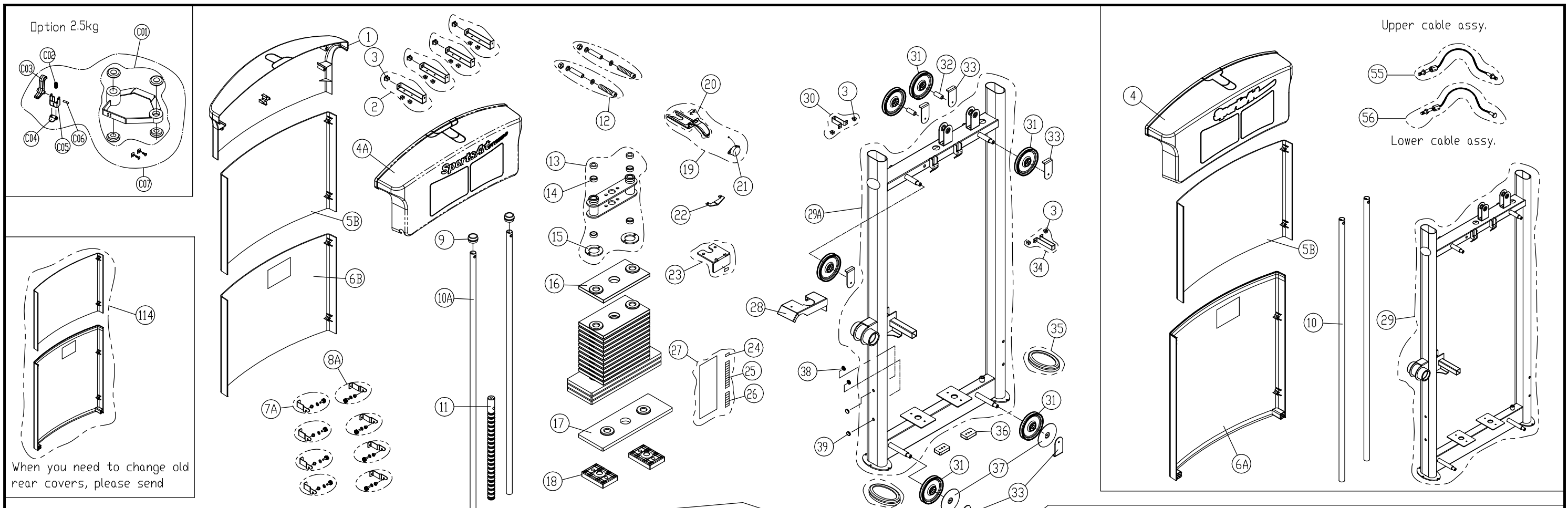


BBL	Description	QTY	Part Number	BBL	Description	QTY	Part Number
001	TOP COVER - REAR	1	S972-002	053	PULLEY BRACKET - SILVER	2	DF-100-053
002	COVER BRACKET	4	S972-417	054	PULLEY ASSEMBLY - GREY	1	196-091-11K
003	SCREW INSERT	16	000-076-820	054	PULLEY ASSEMBLY - SILVER	1	DF-100-054
004	TOP COVER - FRONT	1	DF-100-004	055	STRENGTH CABLE - UPPER - (137")	1	DF-100-055
004A	TOP COVER - FRONT (NEW)	1	196-091-011	055A	STRENGTH CABLE - UPPER - (125")	1	DF-100-055A
005B	REAR COVER - UPPER	1	DF-100-005A	056	STRENGTH CABLE - LOWER - (137")	1	DF-100-056
006A	REAR COVER - LOWER	1	DF-100-006A	056A	STRENGTH CABLE - LOWER - (125")	1	DF-100-056A
006B	REAR COVER - LOWER (NEW)	1	196-091-031	057	CAP & STICKER - GREY	1	DF-100-057
007A	BRACKET	4	DF-100-007A	058	CAM ASSEMBLY - LOWER	1	196-091-070
008A	BRACKET	4	DF-100-008A	059	SELECTOR	1	196-091-370
009	BUSHING	2	A911-36	060	BUSHING	2	096-013-270
010	STACK GUIDE TUBE	2	P711-059	061	CAM ASSEMBLY - UPPER	1	196-091-080
010A	STACK GUIDE TUBE	2	P735-059	062	CAM PLASTIC	2	DF-100-062
011	18-POSITION TUBE	1	DF-100-011	063	CAM PLASTIC	2	DF-100-063
012	SPACER TUBE	2	DF-100-012	064	ADJUSTER	2	196-091-330
013	WEIGHT STACK BRACKET	1	196-091-040	065	STOPPER	1	096-030-081
014	GUIDE RING	4	A911-38	066	BUSHING	1	096-013-090
015	GUIDE RING	2	P711-077	067	CABLE BLOCK	2	DF-100-067
016	5KG WEIGHT PLATE	13	DF-100-016	068	FINGERGUARD	1	DF-100-068
017	7.5KG WEIGHT PLATE	4	DF-100-017	069	CAM AXLE	1	196-091-160
018	WEIGHT STACK CUSHION	2	A911-48	070	SET PIN	1	DF-100-070
019	SELECTOR FORK - W/CORD	1	A911-50	071	ROTATOR ARM - SILVER	1	196-091-220
020	SELECTOR FORK - NO CORD	1	190-591-530	071	ROTATOR ARM - GREY	1	196-091-22K
021	RETRACTING CABLE	1	DF-100-021	072	WEIGHT PLATE (CIRCULAR) - 4KG	2	A917-41
022	CABLE BRACKET	1	A911-055	073	STICKER - ROTATOR	1	090-663-031
023	PLATE BRACKET	1	196-091-120	074	ADJUSTMENT KNOB	1	A911-28
024	PLATE STICKER - 5KG (YELLOW)	1	DF-101-070	075	BUSHING	1	A923-98
024	PLATE STICKER - 5KG (GREEN)	1	S912-047	076	ROTATING ARM COVER - SILVER	1	A923-100
025	PLATE STICKER - 10-60KG (YELLOW)	1	DF-101-070A	077	PLUG	1	DF-100-038
025	PLATE STICKER - 10-60KG (GREEN)	1	S911-048	078	ROTATING ARM COVER - SILVER	1	DF-100-078
026	PLATE STICKER - 65-100KG (YELLOW)	1	DF-101-070B	079	CAP & STICKER - SILVER	1	DF-100-079
027	PLATE STICKER - 5-100KG (YELLOW)	1	DF-100-027	080	CAP	2	DF-100-080
027	PLATE STICKER - 5-100KG (GREEN)	1	103-191-230	081	LEG ROTATOR - GREY	1	196-091-23K
028	COVER - GREY	1	196-010-44K	081	LEG ROTATOR - SILVER	1	DF-100-081
028	COVER - SILVER	1	196-010-44C	082	CYLINDRICAL CUSHION - ORANGE	2	S931-253
029	MAIN FRAME - SILVER (OLD)	1	196-091-090	082.1	CYLINDRICAL CUSHION - BLACK	2	S931-253B
029A	MAIN FRAME - SILVER	1	196-091-091	083	END CAP	2	DF-100-083
029A	MAIN FRAME - GREY	1	196-091-09K	084	ADJUSTMENT KNOB	1	A957-81
030	BRACKET	1	196-091-130	085	SEAT FRAME - SILVER	1	196-091-240
031	PULLEY	6	A971-08	085	SEAT FRAME - GREY	1	196-091-24K
032	AXLE	2	DF-100-032	085R	ALIGNMENT PLATE	1	DF-100-085R
033	PULLEY BRACKET - SILVER	6	DF-100-033	085S	WASHER - (D30*D20.2*T0.5)	1	103-301-151
034	BRACKET	1	DF-107-034	086	ADJUSTMENT KNOB CAP	1	092-130-060
035	RUBBER FOOT	4	P711-414	087	END CAP	1	A991-09
036	RUBBER CUSHION	2	A951-84	088	ADJUSTMENT KNOB	1	DF-100-088
037	PULLEY COVER - SILVER	2	A93-41	089	SEAT BACK POST	1	196-091-260
038	PLUG	2	DF-100-038	090	SEAT POST COLLAR	1	C570U-97
039	CAP	2	DF-100-039	091	SEAT CUSHION - ORANGE	1	A957-60
051	AXLE	2	093-013-421	091.1	SEAT CUSHION - BLACK	1	A957-60B
052	PULLEY	2	A971-08	092	BACK CUSHION - ORANGE	1	DF-100-092
053	PULLEY BRACKET - GREY	2	193-010-40K	092.1	BACK CUSHION - BLACK	1	DF-100-092B

BBL Description QTY Part Number BBL Description QTY Part Number

093	SEAT BACK FRAME - GREY	1	191-810-15K
093	SEAT BACK FRAME - SILVER	1	191-810-15C
094	TUBE SHEATH	1	DF-100-094
095	STOPPER	2	DF-100-095
096A	AXLE	1	096-013-330
097	END CAP	1	8300-26
098	CUSHION ARM	1	DF-100-098
099	HANDLEBAR CAP	1	C521R-170
100	CAP	1	C575U-436
101A	PIN	1	105-891-880
102	METAL STOPPER	1	DF-100-102
103	LEVER	1	DF-100-103
104	CONNECTOR	1	A93-227
105	PIN	1	004-404-021
106	CONNECTOR PLATE - SILVER	5	P711-192S
107	CONNECTOR ARM - SILVER	1	196-050-10C
107	CONNECTOR ARM - GREY	1	196-050-10K
108	CONNECTOR ARM - SILVER	1	196-050-12C
108	CONNECTOR ARM - GREY	1	196-050-12K
109	CONNECTOR ARM - GREY	1	196-050-24K
109	CONNECTOR ARM - SILVER	1	196-050-24C
110	CONNECTOR - GREY	1	P756-182G
110	CONNECTOR - SILVER	1	P756-182S
111	BOTTLE HOLDER (OLD)	1	A912-75
113	PULLEY WHEEL	2	196-091-290
114	REAR COVER ASSEMBLY	1	196-091-360
115	LUBE - 4X50CC	1	LUBE-03
116	POSITION PIN ASSEMBLY	1	DF-100-116
187A	PIN	1	095-013-370
188	SPRING	1	096-004-020

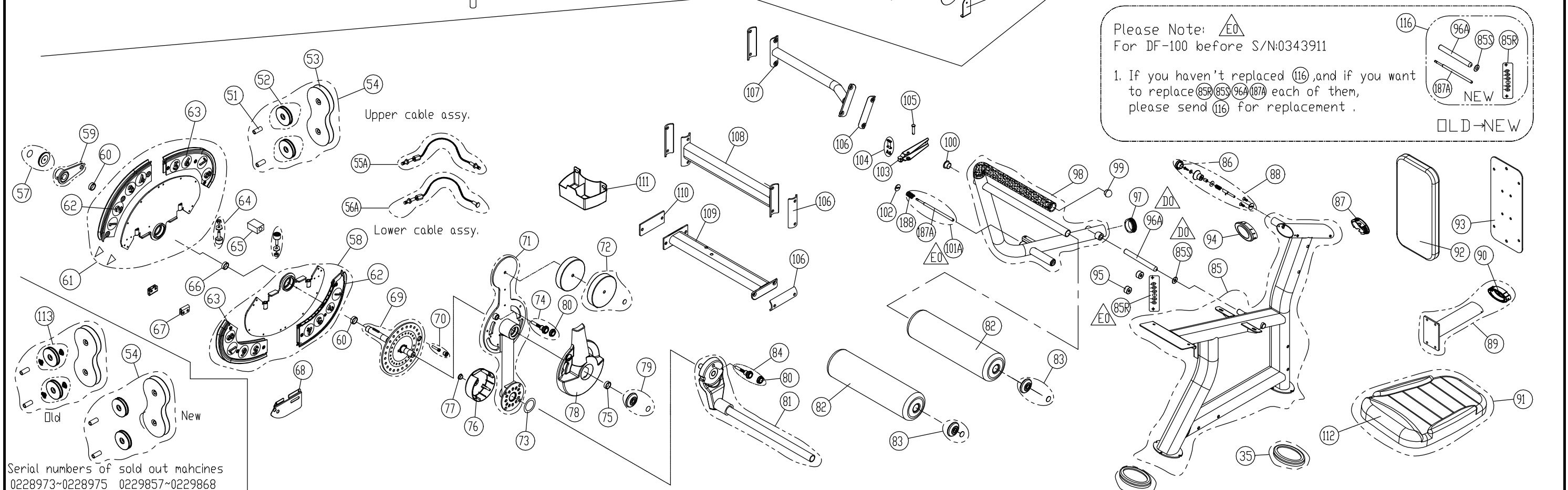


Please Note: For DF-100 before S/N:0343911

1. If you haven't replaced , and if you want to replace , , , each of them, please send for replacement.

NEW

OLD-NEW



Serial numbers of sold out machines
0228973~0228975 0229857~0229868

CHANGE DATE	CHANGE DESCRIPTION	CHANGE NO.	NAME	 RESTRICTED USAGE, PLEASE DON'T FORWARD TO ANYONE WHO ISN'T AUTHORIZED	DRAWN BY	UNITS	MM	SALES BLOW UP DIAGRAM	DIAGRAM NO.	GAA-F001A-E		
2015.10.23	新增 , , , , , ,	05-20151005M	陳鈺濤			QTY	1					DF-100
2016.11.16	修改 , ,	05-20161004M	陳鈺濤			VERSION	E0		XX			MODEL
2010.06.08	修改 , , , , , , , , , , , , ,	05-990407M	林雅青			RATIO	1:17					