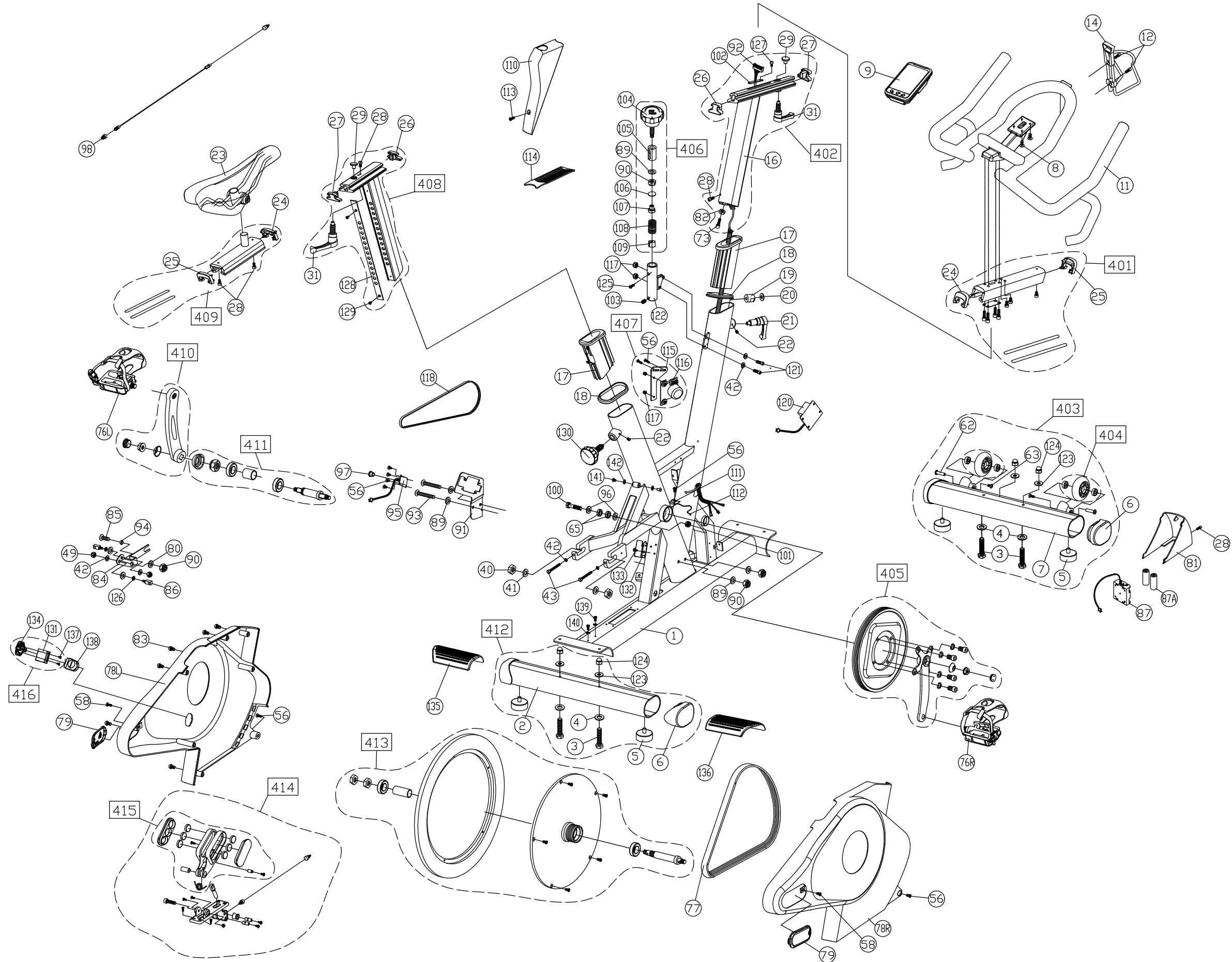


BBL	Description	QTY	Part Number	BBL	Description	QTY	Part Number
001	MAIN FRAME	1	C530-001	086	ADJUSTMENT BLOCK	2	C530-086
002	FRAME - REAR LEG	1	C530-002	087	BATTERY COMPARTMENT	1	C530-087
003	SCREW - (M10*P1.5*L80)	4	C530-003	087A	BATTERY	1	C530-087A
004	WASHER	4	C530-004	089	WASHER	5	C530-089
005	LEVELER FOOT	4	C530-005	090	NUT - (M8)	4	C530-090
006	END CAP	4	C530-006	091	MOUNTING BRACKET	1	C530-091
007	FRAME - FRONT LEG	1	C530-007	092	WIRE - DISPLAY	1	C530-092
008	SCREW - (M4*P0.7*L15)	4	C530-008	093	SCREW - (M8*P1.25*L60)	2	C530-093
009	DISPLAY	1	C530-009	094	WASHER	1	C530-094
011	HANDLEBAR	1	C530-011	095	SPEED SENSOR	1	C530-095
012	SCREW - (M5*P0.8*L15)	2	C530-012	096	BUSHING	2	C530-096
014	BOTTLE HOLDER	1	C530-014	097	PLUG	1	C530-097
016	HANDLEBAR FRAME	1	C530-016	098	BRAKE LINE	1	C530-098
017	FRAME SHEATH	2	C530-017	100	SCREW - (M10*P1.5*L45)	1	C530-100
018	WATER GUARD	2	C530-018	101	NUT - (M10)	1	C530-101
019	HANDLE BLOCK	1	C530-019	102	BRACKET/PLATE	1	C530-102
020	WASHER	1	C530-020	103	SCREW - (M8*P1.25*L8)	1	C530-103
021	ADJUSTMENT HANDLE	1	C530-021	104	ADJUSTMENT KNOB	1	C530-104
022	SCREW - (M6*P1.0*L6)	2	C530-022	105	SHEATH	1	C530-105
023	SEAT	1	C530-023	106	DISC	1	C530-106
024	END CAP	2	C530-024	107	SLEEVE	1	C530-107
025	END CAP	2	C530-025	108	COMPRESSION SPRING	1	C530-108
026	END CAP	2	C530-026	109	SLEEVE	1	C530-109
027	END CAP	2	C530-027	110	BRAKE COVER	1	C530-110
028	SCREW - (M6*P1.0*L10)	8	C530-028	111	SENSOR MOUNT	1	C530-111
029	PLUG	2	C530-029	112	SENSOR WIRE	1	C530-112
031	ADJUSTMENT HANDLE	2	C530-031	113	SCREW - (M5*P0.8*L15)	1	C530-113
038	NUT - (M17)	2	C530-038	114	ANTI-SLIP PAD	1	C530-114
039	SCREW - (M5*P0.8*L10)	5	C530-039	115	GENERATOR BRACKET	1	C530-115
040	NUT - (M12)	2	C530-040	116	GENERATOR	1	C530-116
041	WASHER	2	C530-041	117	SCREW - (M5*P0.8)	4	C530-117
042	WASHER	6	C530-042	118	DRIVE BELT - (3PJ-995)	1	C530-118
043	SCREW - (M6*P1.0*L50)	2	C530-043	120	GENERATOR BOARD	1	C530-120
049	NUT - (M6)	2	C530-049	121	SCREW - (M5*P0.8*L20)	2	C530-121
056	SCREW - (M5*P0.8*L8)	13	C530-056	122	ADJUSTMENT KNOB FRAME	1	C530-122
058	SCREW - (M5*P0.8*L15)	6	C530-058	123	WASHER	4	C530-123
062	PIN	2	C530-062	124	NUT - (M10)	4	C530-124
063	SCREW - (M6*P1.0*L12)	2	C530-063	125	SCREW - (M6*P1.0*L8)	1	C530-125
064	TUBE	1	C530-064	127	SCREW - (M4*P0.7*L6)	1	C530-127
065	BEARING - (6000ZZ)	2	C530-065	128	ADJUSTMENT RAIL	1	C530-128
076	PEDAL - LEFT & RIGHT	1	C530-076L	129	SCREW - (M4*P0.7*L8)	2	C530-129
077	DRIVE BELT - (1180)	1	C530-077	130	ADJUSTMENT KNOB	1	C530-130
078L	SIDE COVER - LEFT	1	C530-078L	131	BLUETOOTH BRACKET	1	C530-131
078R	SIDE COVER - RIGHT	1	C530-078R	132	BLUETOOTH BRACKET	1	C530-132
079	SMALL COVER	2	C530-079	133	SCREW - (M4*P0.7*L10)	1	C530-133
080	WASHER	3	C530-080	134	COVER	1	C530-134
081	FRONT COVER - SMALL	1	C530-081	135	FRAME COVER - LEFT	1	C530-135
082	NUT - (M6)	1	C530-082	136	FRAME COVER - RIGHT	1	C530-136
083	SCREW - (M5*P0.8*L15)	6	C530-083	137	SCREW - (M4*10L)	2	C530-137
084	ADJUSTMENT BRACKET	1	C530-084	138	BLUETOOTH TRANSMITTER	1	C530-138
085	SCREW - (M8*P1.25*L20)	1	C530-085	139	SCREW - (M5*P0.8*L10)	2	C530-139

BBL	Description	QTY	Part Number	BBL	Description	QTY	Part Number
140	WASHER	2	C530-140				
141	SCREW - (M6*P1.0*L10)	2	C530-141				
142	WASHER	2	C530-142				
401	HANDLEBAR FRAME	1	C530-401				
402	HANDLEBAR POST ASSEMBLY	1	C530-402				
403	FRAME ASSEMBLY - FRONT	1	C530-403				
404	ROLLER WHEEL	2	C530-404				
405	CRANK ARM - RIGHT	1	C530-405				
406	ADJUSTMENT KNOB	1	C530-406				
407	GENERATOR ASSEMBLY	1	C530-407				
408	SEAT POST ASSEMBLY	1	C530-408				
409	SEAT FRAME ASSEMBLY	1	C530-409				
410	CRANK ARM - LEFT	1	C530-410				
411	CRANK ARM SPINDLE	1	C530-411				
412	FRAME ASSEMBLY - REAR	1	C530-412				
413	SPIN WHEEL ASSEMBLY	1	C530-413				
414	RESISTANCE ASSEMBLY	1	C530-414				
415	RESISTANCE MAGNET	1	C530-415				
416	BLUETOOTH BRACKET	1	C530-416				



CHANGE DATE	CHANGE DESCRIPTION	CHANGE NO.	NAME	 <p>RESTRICTED USAGE , PLEASE DON'T FORWARD TO ANYONE WHO ISN'T AUTHORIZED</p>	DRAWN BY	UNITS	MM	SALES BLOW UP DIAGRAM	DIAGRAM NO.	CAV-F101--A	
					VERIFIED BY	QTY	1				C530
						VERSION	A0	XX		MODEL	
						RATIO	1:12				