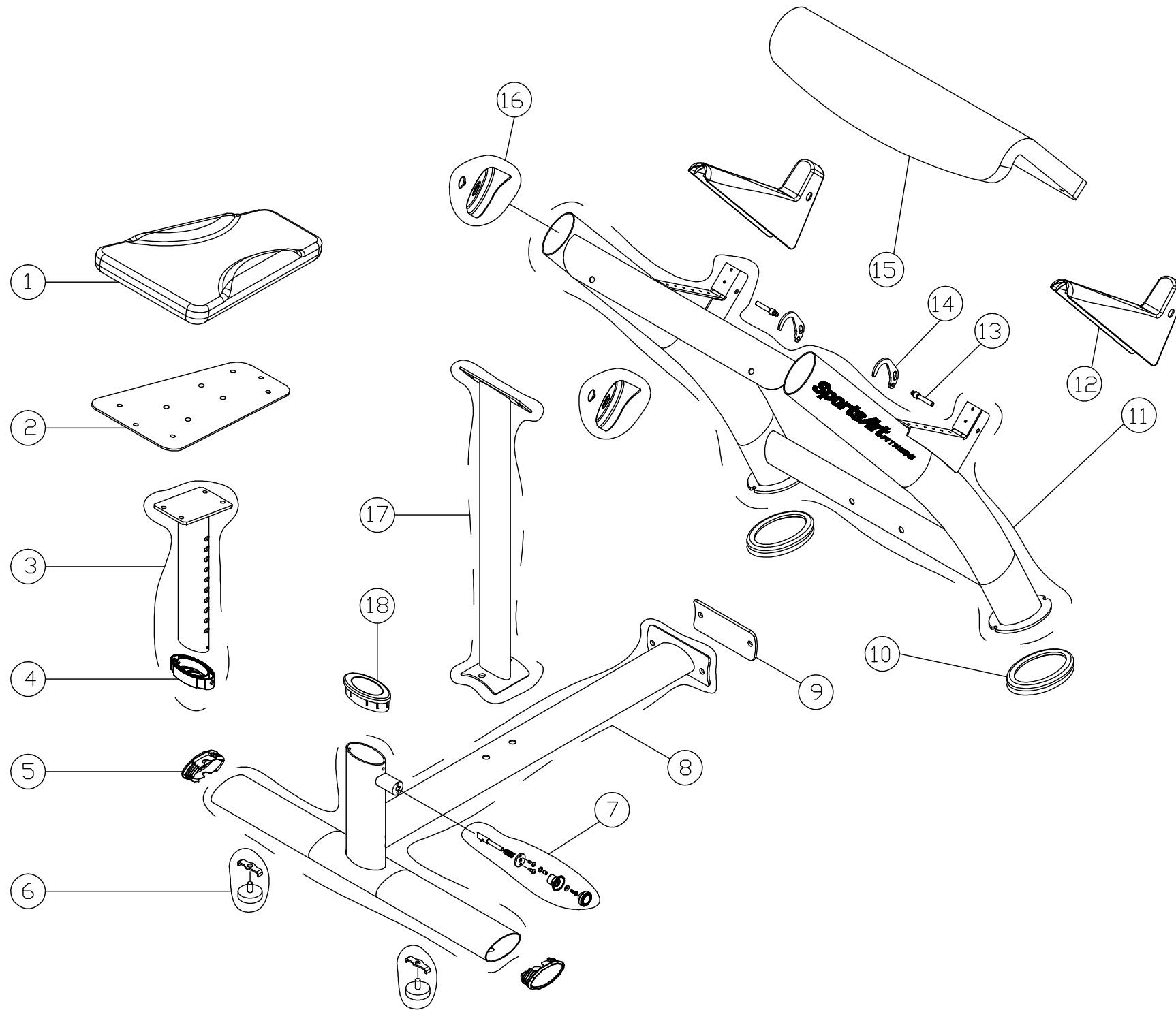


BBL	Description	QTY	Part Number	BBL	Description	QTY	Part Number
001	CUSHION - BLACK	1	A916-54B				
001.1	CUSHION - ORANGE	1	A916-54				
002	SEAT CUSHION FRAME - GREY	1	192-610-05K				
002.1	SEAT CUSHION FRAME - SILVER	1	192-610-05C				
003	SEAT POST - SILVER	1	A999-003				
004	SEAT POST COLLAR	1	C570U-97				
005	END CAP	2	A93-219				
006	LEVELLER FEET	2	TR21-82				
007	SEAT ADJUSTMENT KNOB	1	C570U-86				
008	SEAT POST - GREY	1	199-991-02K				
008.1	MAIN FRAME - SILVER	1	199-991-02C				
009	CONNECTOR PLATE - GREY	1	199-910-05K				
009.1	CONNECTOR PLATE - SILVER	1	A999-009				
010	RUBBER FOOT	2	A911-10				
011	ELBOW FRAME - GREY	1	199-991-03K				
011.1	ELBOW FRAME - SILVER	1	199-991-030				
012	RUBBER COVER	2	A999-012				
013	PIN	2	A999-013				
014	HOOK	2	A999-014				
015	ELBOW CUSHION - BLACK	1	A999-015B				
015.1	ELBOW CUSHION - ORANGE	1	A999-015				
016	END CAP	2	TR21-72				
017	FRAME ARM - GREY	1	199-950-04K				
017.1	FRAME ARM - SILVER	1	A999-017				
018	TUBE SHEATH	1	DF-100-094				



CHANGE DATE	CHANGE DESCRIPTION	CHANGE NO.	NAME		DRAWN BY	UNITS	MM	SALES BLOW UP DIAGRAM	DIAGRAM NO.	GGQ-F001A--A	
					VERIFIED BY	QTY	1			MODEL	A999
						VERSION	A1				
						RATIO	1:10				