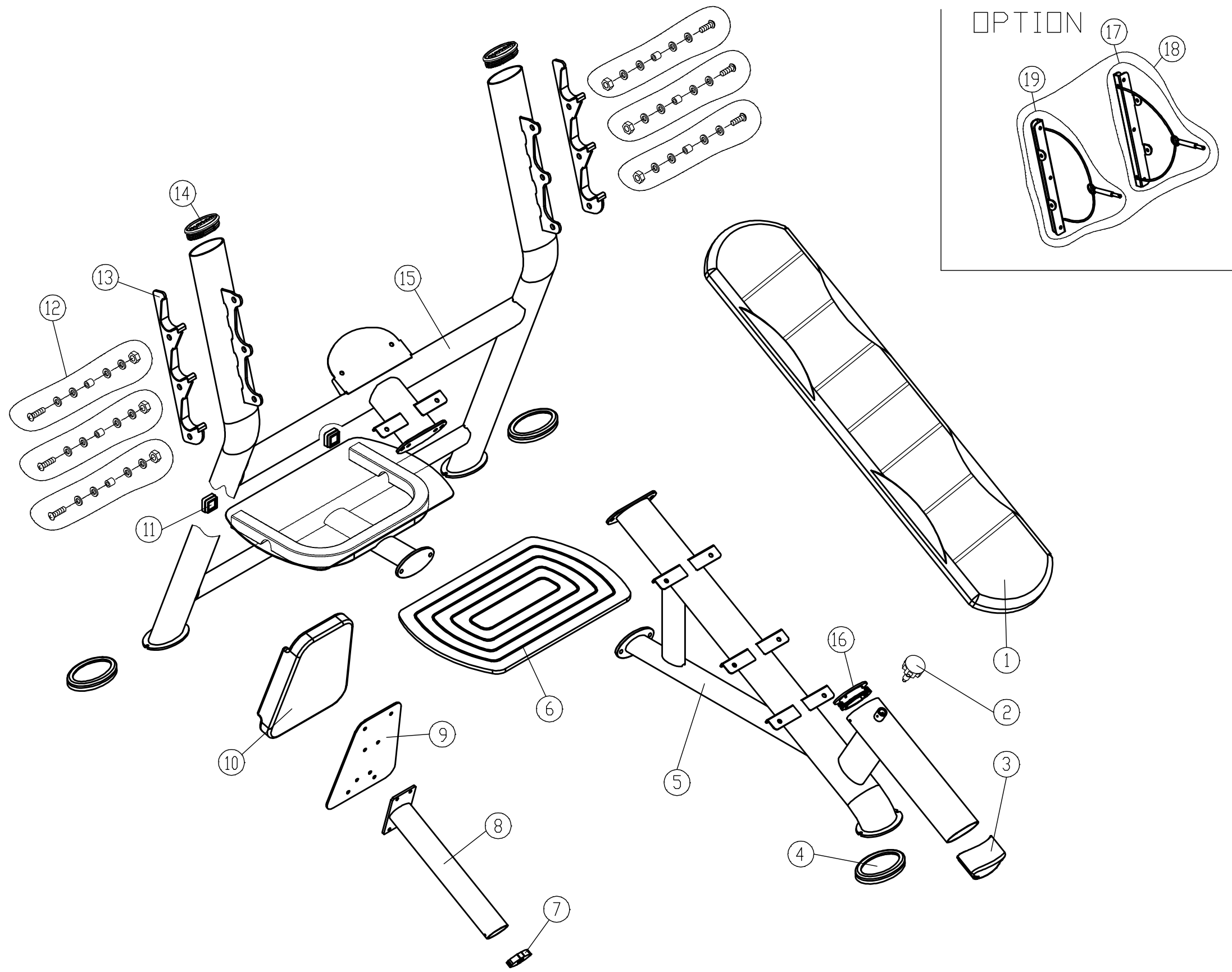
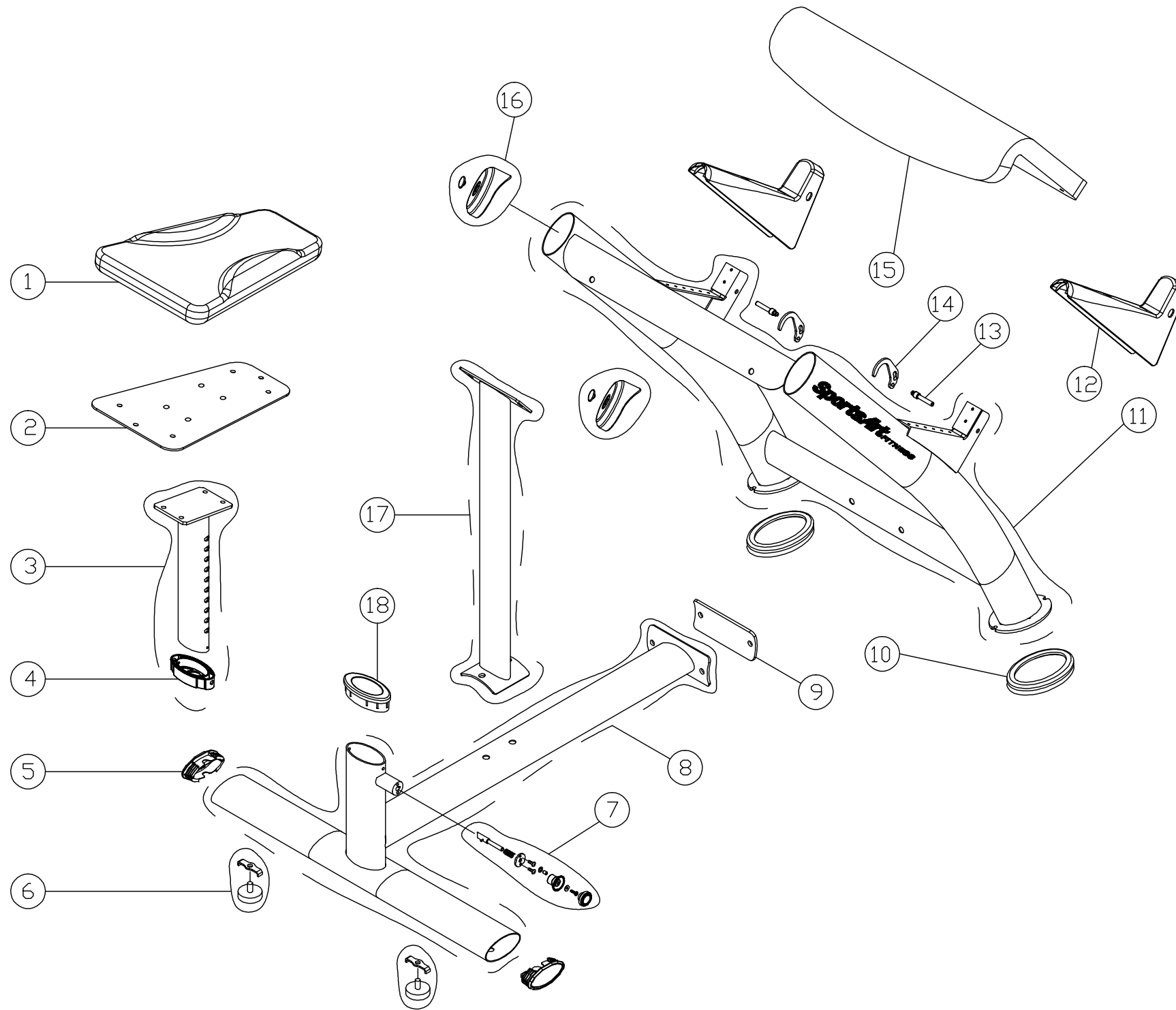


BBL	Description	QTY	Part Number	BBL	Description	QTY	Part Number
001	BACK CUSHION - BLACK	1	199-891-013				
001	BACK CUSHION - ORANGE	1	A992-01				
002	ADJUSTMENT KNOB	1	A991-30				
003	END CAP	1	A991-23				
004	RUBBER FOOT	3	A911-10				
005	BACK FRAME - SILVER	1	A998-05				
005	BACK FRAME - GREY	1	199-850-02K				
006	RUBBER PAD	1	A998-06				
007	SEAT POST SHEATH	1	A912-44				
008	SEAT POST	1	A998-08				
009	SEAT BOTTOM FRAME - GREY	1	199-810-04K				
009	SEAT BOTTOM FRAME - SILVER	1	A998-09				
010	SEAT CUSHION - BLACK	1	DF-108-038B				
010	SEAT CUSHION - ORANGE	1	A998-10				
011	END CAP	2	1200-16				
012	HARDWARE	6	A996-05				
013	WEIGHT BRACKET	1	A996-06				
014	OVAL FRAME CAP	2	E835-243				
015	MAIN FRAME - GREY	1	199-891-03K				
015	MAIN FRAME - SILVER	1	A998-15				
016	END CAP	1	A912-46				
017	SAFETY BRACKET - LEFT	1	A998-17				
018	SAFETY BRACKET	1	199-691-030				
019	SAFETY BRACKET - RIGHT	1	099-651-011				



CHANGE DATE	CHANGE DESCRIPTION	CHANGE NO.	NAME		DRAWN BY	UNITS	MM	SALES BLOW UP DIAGRAM	DIAGRAM NO.	GGF-F001A-B
					VERIFIED BY	QTY	1		MODEL	A998
						VERSION	B0			
						RATIO	1:11			



CHANGE DATE	CHANGE DESCRIPTION	CHANGE NO.	NAME		DRAWN BY	UNITS	MM	SALES BLOW UP DIAGRAM	DIAGRAM NO.	GGQ-F001A--A	
					VERIFIED BY	QTY	1			MODEL	A999
						VERSION	A1				
						RATIO	1:10				