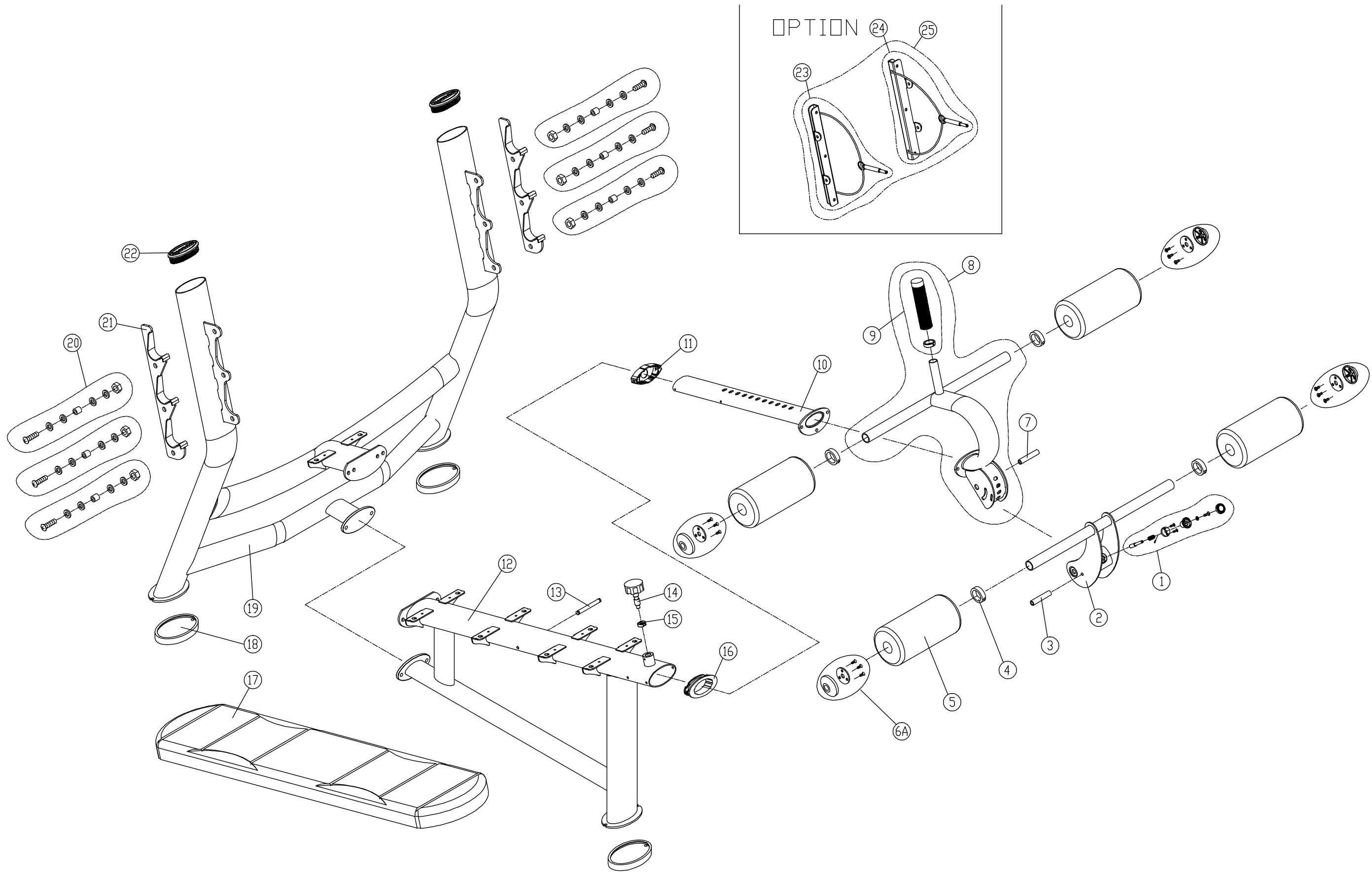


BBL	Description	QTY	Part Number	BBL	Description	QTY	Part Number
001	ADJUSTMENT KNOB	1	A997-01				
002	CUSHION FRAME - SILVER	1	A997-02				
002	CUSHION FRAME - GREY	1	199-750-05K				
003	AXLE	1	A997-03				
004	HANDLEBAR RING	4	A931-40				
005	CYLINDRICAL CUSHION - ORANGE	4	A93-60				
005	CYLINDRICAL CUSHION - BLACK	4	S931-219B				
006A	END CAP - GREY	4	190510168				
007	AXLE	1	A997-07				
008	CUSHION FRAME - SILVER	1	A997-08				
008	CUSHION FRAME - GREY	1	199-791-02K				
009	TRANSPORT HANDLE	1	A992-07				
010	SEAT POST	1	A997-10				
011	SEAT POST SHEATH	1	A912-44				
012	SEAT FRAME - GREY	1	199-750-02K				
012	SEAT FRAME - SILVER	1	A997-12				
013	AXLE	1	A997-13				
014	ADJUSTMENT KNOB	1	A997-14				
015	PRESSURE WASHER	1	A997-15				
016	END CAP	1	A912-46				
017	BACK CUSHION - ORANGE	1	A992-01				
017	BACK CUSHION - BLACK	1	199-891-013				
018	RUBBER FOOT	3	A911-10				
019	MAIN FRAME - SILVER	1	A997-19				
019	MAIN FRAME - GREY	1	199-791-01K				
020	HARDWARE	6	A996-05				
021	WEIGHT BRACKET	2	A996-06				
022	OVAL FRAME CAP	2	E835-243				
023	SAFETY BRACKET - RIGHT	1	099-651-011				
024	SAFETY BRACKET - LEFT	1	A998-17				
025	SAFETY BRACKET	1	199-691-030				



CHANGE DATE	CHANGE DESCRIPTION	CHANGE NO.	NAME		DRAWN BY	UNITS	MM	SALES BLOW UP DIAGRAM	DIAGRAM NO.	GGK-F001A-C
					VERIFIED BY	QTY	1		MODEL	A997
						VERSION	C0			
						RATIO	1:11			