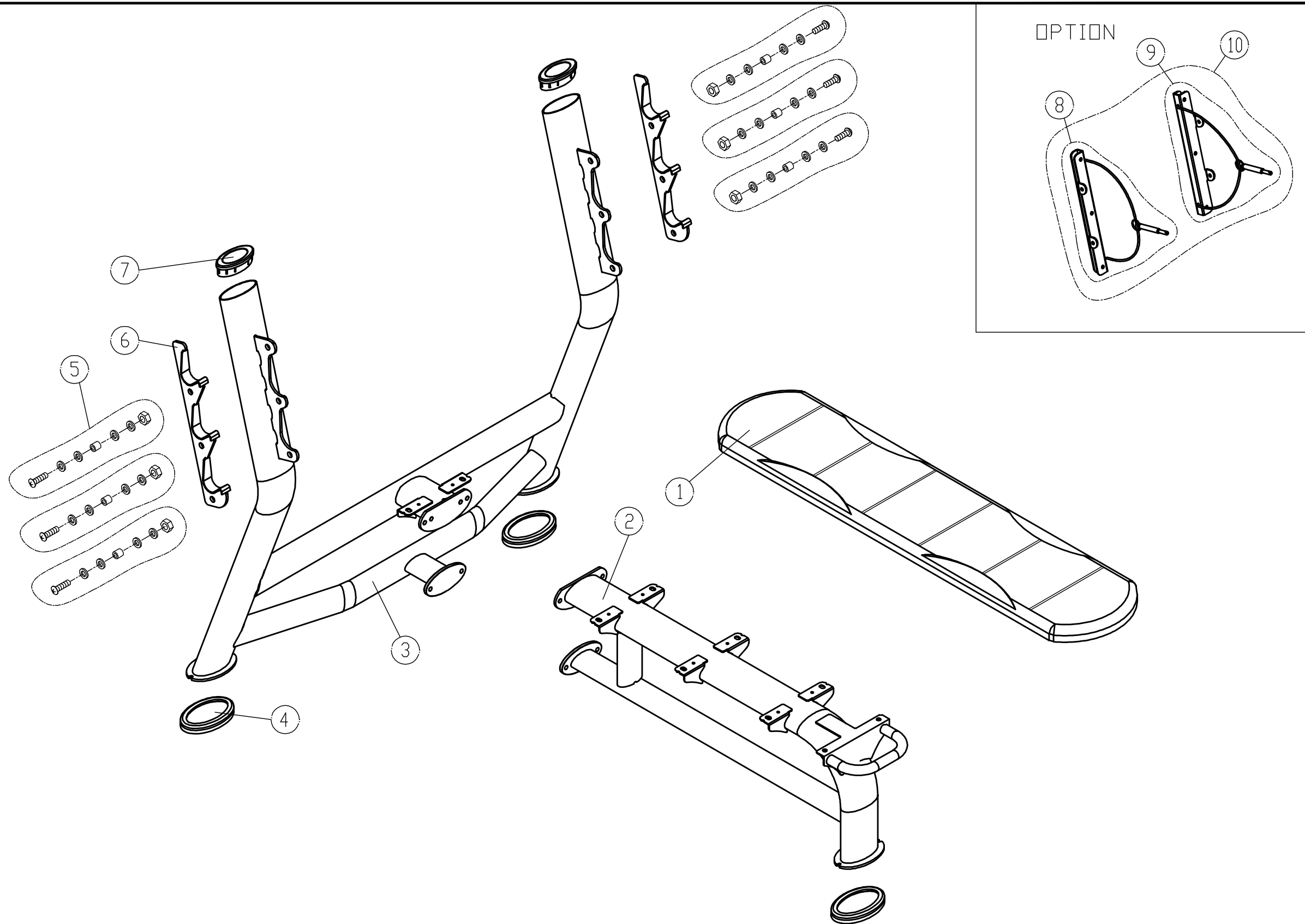


BBL	Description	QTY	Part Number	BBL	Description	QTY	Part Number
001	BACK CUSHION - ORANGE	1	A992-01B				
001	BACK CUSHION - BLACK	1	199-291-013				
002	SEAT FRAME - GREY	1	199-650-02K				
002	SEAT FRAME - SILVER	1	A996-02				
003	MAIN FRAME - GREY	1	199-691-02K				
003	MAIN FRAME - SILVER	1	A996-03				
004	RUBBER FOOT	3	A911-10				
005	HARDWARE	1	A996-05				
006	WEIGHT BRACKET	1	A996-06				
007	END CAP	2	E835-243				
008	SAFETY BRACKET - RIGHT	1	099-651-011				
009	SAFETY BRACKET - LEFT	1	A998-17				
010	SAFETY BRACKET	1	199-691-030				



CHANGE DATE	CHANGE DESCRIPTION	CHANGE NO.	NAME		DRAWN BY	UNITS	MM	SALES BLOW UP DIAGRAM	DIAGRAM NO.	GGC-F001A-B	
					VERIFIED BY	QTY	1			MODEL	A996
						VERSION	B0				
						RATIO	1:10				