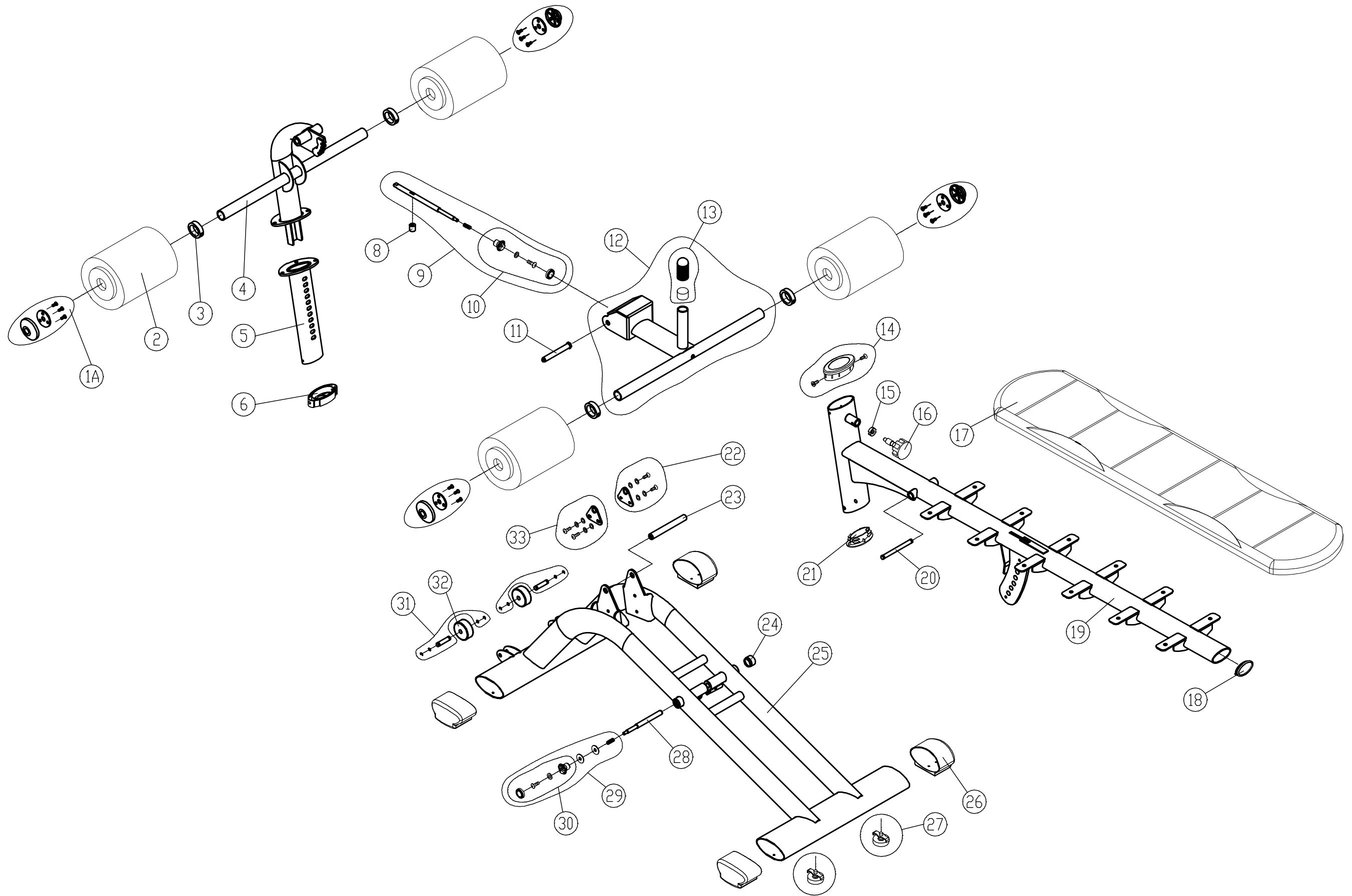


BBL	Description	QTY	Part Number	BBL	Description	QTY	Part Number
001A	END CAP - SILVER	4	A917-50				
001A	END CAP - GREY	4	190510168				
002	CYLINDRICAL CUSHION - ORANGE	4	A93-60				
002	CYLINDRICAL CUSHION - BLACK	4	S931-219B				
003	HANDLEBAR RING	4	A931-40				
004	EXTENSION TUBE - SILVER	1	A995-04				
004	EXTENSION TUBE - GREY	1	199-550-30K				
005	POST TUBE	1	A995-05				
006	SEAT POST COLLAR	1	C570U-97				
008	PLUG	1	A995-08				
009	ADJUSTMENT KNOB	1	A995-09				
010	ADJUSTMENT KNOB COVER	1	A995-10				
011	AXLE	1	A995-11				
012	CUSHION FRAME - SILVER	1	A995-12				
012	CUSHION FRAME - GREY	1	199-591-03K				
013	TRANSPORT HANDLE	1	A992-07				
014	COLLAR	1	A991-12				
015	STOPPER	1	A993-05				
016	ADJUSTMENT KNOB	1	A991-30				
017	BACK CUSHION - ORANGE	1	A992-01B				
017	BACK CUSHION - BLACK	1	199-291-013				
018	END CAP	1	A921-58				
019	BACK FRAME - GREY	1	199-591-02K				
019	BACK FRAME - SILVER	1	A995-19				
020	AXLE	1	A995-20				
021	END CAP	1	A991-09				
022	BRACKET	1	A995-33				
023	AXLE	1	A995-23				
024	CAP	1	C575U-436				
025	MAIN FRAME - GREY	1	199-591-01K				
025	MAIN FRAME - SILVER	1	A995-25				
026	END CAP	4	A991-23				
027	LEVELLER FEET	2	TR21-82				
028	PIN	1	A995-28				
029	ADJUSTMENT KNOB	1	A995-29				
030	ADJUSTMENT KNOB COVER	1	A995-10				
031	TRANSPORT WHEEL AXLE	2	A93-218				
032	TRANSPORT WHEEL	2	805P-57				
033	BRACKET	1	A995-33				



CHANGE DATE	CHANGE DESCRIPTION	CHANGE NO.	NAME		DRAWN BY	UNITS	MM	SALES BLOW UP DIAGRAM	DIAGRAM NO.	GGA-F001A-B
					VERIFIED BY	QTY	1			A955
						VERSION	B0		MODEL	
						RATIO	1/11			