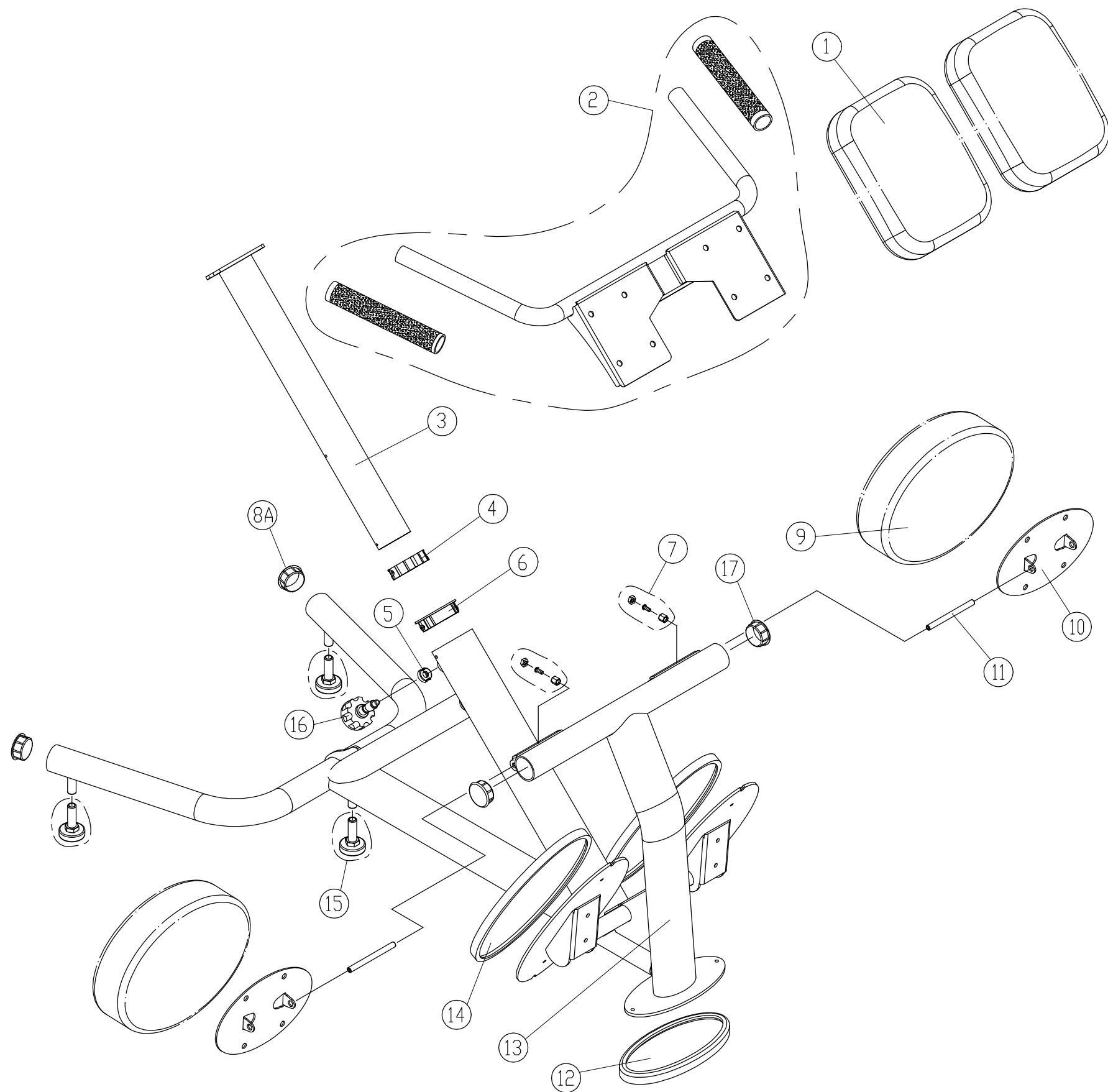


BBL	Description	QTY	Part Number	BBL	Description	QTY	Part Number
001	CUSHION - BLACK	1	095-134-051				
001	CUSHION - ORANGE	1	095-134-050				
002	HANDLE ASSEMBLY - SILVER	1	199-391-01C				
002	HANDLE ASSEMBLY - GREY	1	199-391-01K				
003	SEAT POST	1	099-350-030				
004	SEAT POST COLLAR	1	C570U-97				
005	STOPPER	1	A993-05				
006	COLLAR	1	A991-12				
007	HARDWARE	2	199-391-020				
008A	END CAP	2	000-030-910				
009	CUSHION - BLACK	2	A919-50B				
009	CUSHION - ORANGE	2	A919-50				
010	CUSHION FRAME - SILVER	2	199-310-11C				
010	CUSHION FRAME - GREY	1	199-310-11K				
011	AXLE	2	099-313-011				
012	RUBBER PAD	1	A911-53				
013	MAIN FRAME - SILVER	1	199-391-040				
013	MAIN FRAME - GREY	1	199-391-04K				
014	FOOT PAD	2	099-331-010				
015	LEVELLER	3	DF-102-028				
016	ADJUSTMENT KNOB	1	A991-30				
017	END CAP	2	8300-26				



CHANGE DATE	CHANGE DESCRIPTION	CHANGE NO.	NAME		DRAWN BY	UNITS	MM	SALES BLOW UP DIAGRAM	DIAGRAM NO.	GGH-F001A-A	
2012.01.16	△ <sub>A1</sub> 配合修改管厚, (8) = (8A)	05-1000904M	尤淑芬		VERIFIED BY	QTY	1				A993
2012.05.25	△ <sub>A2</sub> 配合修改管厚(8A)改2pcs, 新增(17)2pcs		尤淑芬			VERSION	A2			MODEL	
						RATIO	1:9				