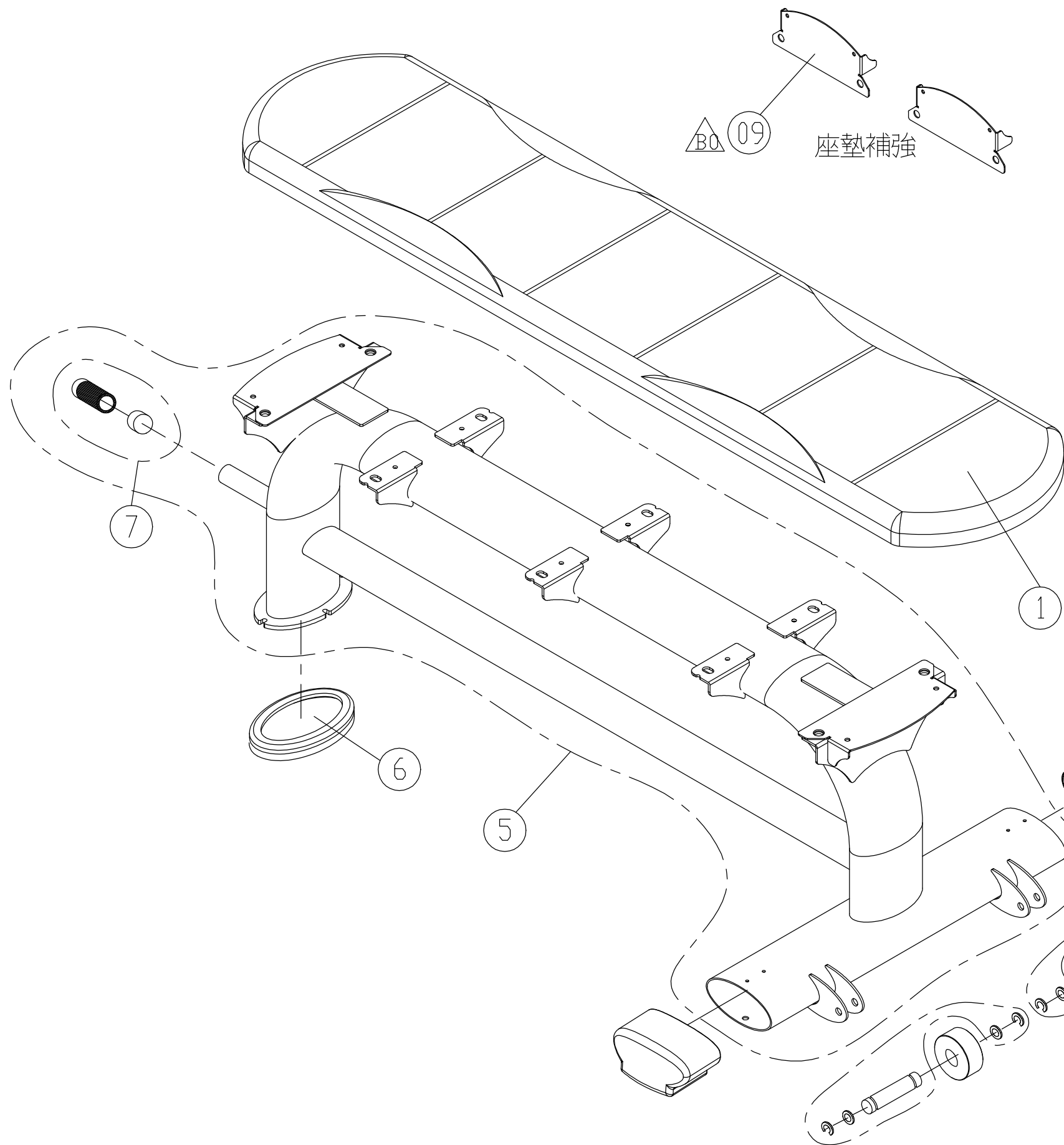
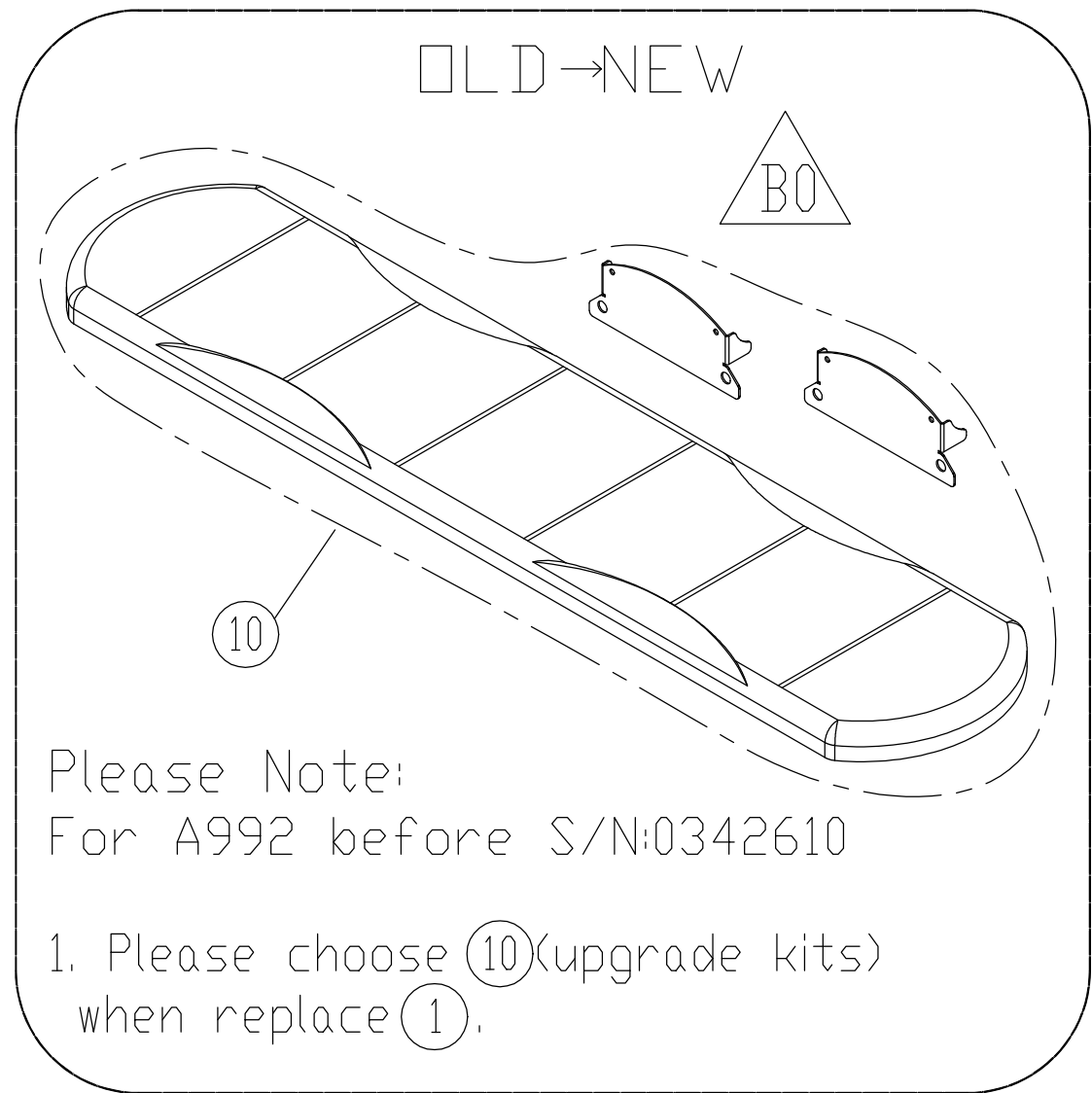


| BBL | Description | QTY | Part Number | BBL | Description | QTY | Part Number |
|-----|---------------------------------|-----|-------------|-----|-------------|-----|-------------|
| 001 | BACK CUSHION - BLACK | 1 | A992-01B | | | | |
| 001 | BACK CUSHION - ORANGE | 1 | A992-01 | | | | |
| 002 | END CAP | 2 | A991-23 | | | | |
| 003 | TRANSPORT WHEEL AXLE | 2 | A93-218 | | | | |
| 004 | TRANSPORT WHEEL | 2 | 805P-57 | | | | |
| 005 | MAIN FRAME - GREY | 1 | 199-291-02K | | | | |
| 005 | MAIN FRAME - SILVER | 1 | A992-05 | | | | |
| 006 | RUBBER FOOT | 1 | A911-10 | | | | |
| 007 | TRANSPORT HANDLE | 1 | A992-07 | | | | |
| 008 | RUBBER GRIP | 1 | A951-500 | | | | |
| 009 | SUPPORT PLATE - SILVER | 2 | A992-009S | | | | |
| 009 | SUPPORT PLATE - GREY | 2 | A992-009G | | | | |
| 010 | BACK CUSHION - BLACK (UPGRADE) | 1 | 199-291-041 | | | | |
| 010 | BACK CUSHION - ORANGE (UPGRADE) | 1 | 199-291-040 | | | | |



△ B0 ⑨ 座墊補強



Please Note:
For A992 before S/N:0342610
1. Please choose ⑩ (upgrade kits) when replace ①.

| CHANGE DATE | CHANGE DESCRIPTION | CHANGE NO. | NAME | DRAWN BY | UNITS | MM | SALES BLOW UP DIAGRAM | DIAGRAM NO. | GGB-F001A-B |
|-------------|--------------------|--------------|------|-------------|---------|-----|-----------------------|-------------|-------------|
| 2016.08.22 | △ 新增 ⑨ 補強 | 05-20160809 | 林士文 | | | QTY | | 1 | |
| 2016.12.23 | △ 新增 ⑩ 修改 ⑨ | 05-20161210M | 許懷恩 | VERIFIED BY | VERSION | B0 | | MODEL | |
| | | | | | RATIO | 1.6 | | | |

SportsArt
FITNESS