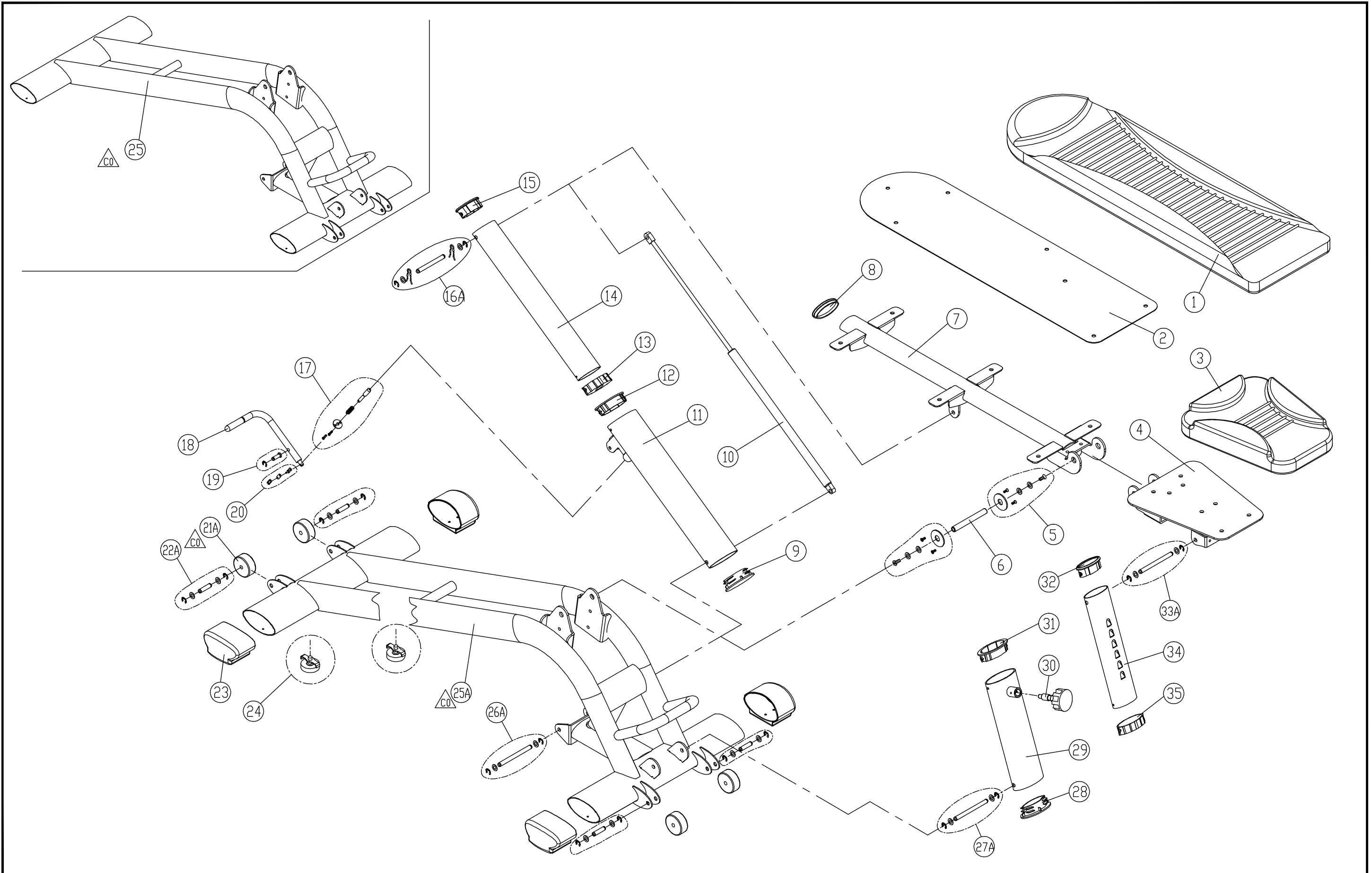


BBL	Description	QTY	Part Number	BBL	Description	QTY	Part Number
001	SEAT BACK PAD - BLACK	1	DF-108-042B				
001	SEAT BACK PAD - ORANGE	1	DF-108-042				
002	SEAT BACK FRAME - SILVER	1	A991-02				
002	SEAT BACK FRAME - GREY	1	199-110-10K				
003	SEAT PAD - ORANGE	1	A912-38				
003	SEAT PAD - BLACK	1	A912-38B				
004	SEAT BOTTOM FRAME - GREY	1	199-150-10K				
004	SEAT BOTTOM FRAME - SILVER	1	A991-04				
005	AXLE HARDWARE	2	A991-05				
006	AXLE	1	A991-06				
007	SEAT FRAME - SILVER	1	A991-07				
007	SEAT FRAME - GREY	1	199-191-02K				
008	END CAP	1	A911-27				
009	END CAP	1	A991-09				
010	SEAT SHOCK	1	A991-10				
011	SEAT SHOCK TUBE - SILVER	1	A991-11				
011	SEAT SHOCK TUBE - GREY	1	199-150-08K				
012	COLLAR	1	A991-12				
013	SEAT POST COLLAR	1	C570U-97				
014	SEAT SHOCK INNER TUBE	1	A991-14				
015	END CAP	1	A991-15				
016A	AXLE	1	A991-16				
017	PIN	1	A991-17				
018	ADJUSTMENT HANDLE	1	A991-18				
019	PIN & COTTER	1	A93-225				
020	CONNECTOR	1	A93-227				
021A	TRANSPORT WHEEL	4	805P-57				
022A	TRANSPORT WHEEL AXLE	2	A93-218				
023	END CAP	4	A991-23				
024	LEVELLER FEET	2	TR21-82				
025A	MAIN FRAME - SILVER (UPGRADE)	1	A991-25				
025A	MAIN FRAME - GREY (UPGRADE)	1	199-191-05K				
026A	AXLE	1	A991-26				
027	AXLE	1	A991-27				
027A	AXLE	1	A991-26				
028	END CAP	1	A991-09				
029	SEAT ADJUSTMENT FRAME - SILVER	1	A991-29				
029	SEAT ADJUSTMENT FRAME - GREY	1	199-150-03K				
030	ADJUSTMENT KNOB	1	A991-30				
031	COLLAR	1	A991-12				
032	END CAP	1	A991-15				
033A	AXLE	1	A991-16				
034	SEAT POST ADJUSTMENT	1	A991-34				
035	SEAT POST COLLAR	1	C570U-97				
Z01	LEVELLER REPAIR KIT	1	A991-REPAIR				



CHANGE DATE	CHANGE DESCRIPTION	CHANGE NO.	NAME	 RESTRICTED USAGE, PLEASE DON'T FORWARD TO ANYONE WHO ISN'T AUTHORIZED	DRAWN BY	UNITS	MM	SALES BLOW UP DIAGRAM	DIAGRAM NO.	GGG-F001A-C	
20071203	△A1 新增 2 個零件(GFA-P202)		林士文				QTY	1			A991
20090522	修改 (26) = (26A) (27) = (27A) (16) = (16A) (33) = (33A)	05-980518	陳泓霖				VERSION	C0	XX	MODEL	
20100608	△C0 修改 (25) = (25A), 數量修改 (21) = (21A) (22) = (22A)	05-990606M	蘇財慶				RATIO	1:9			