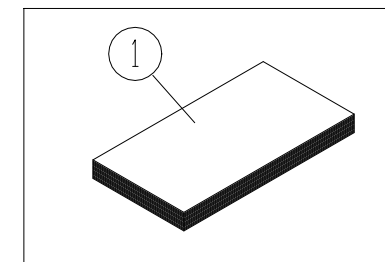
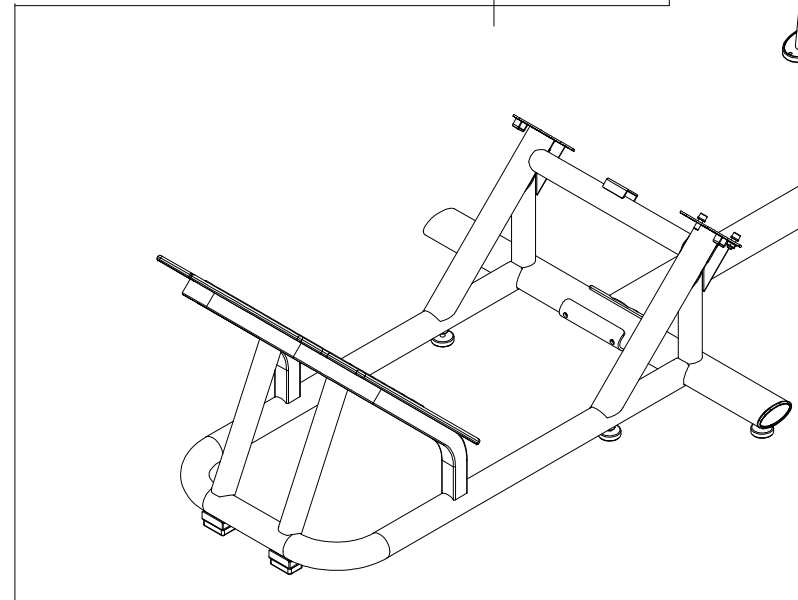
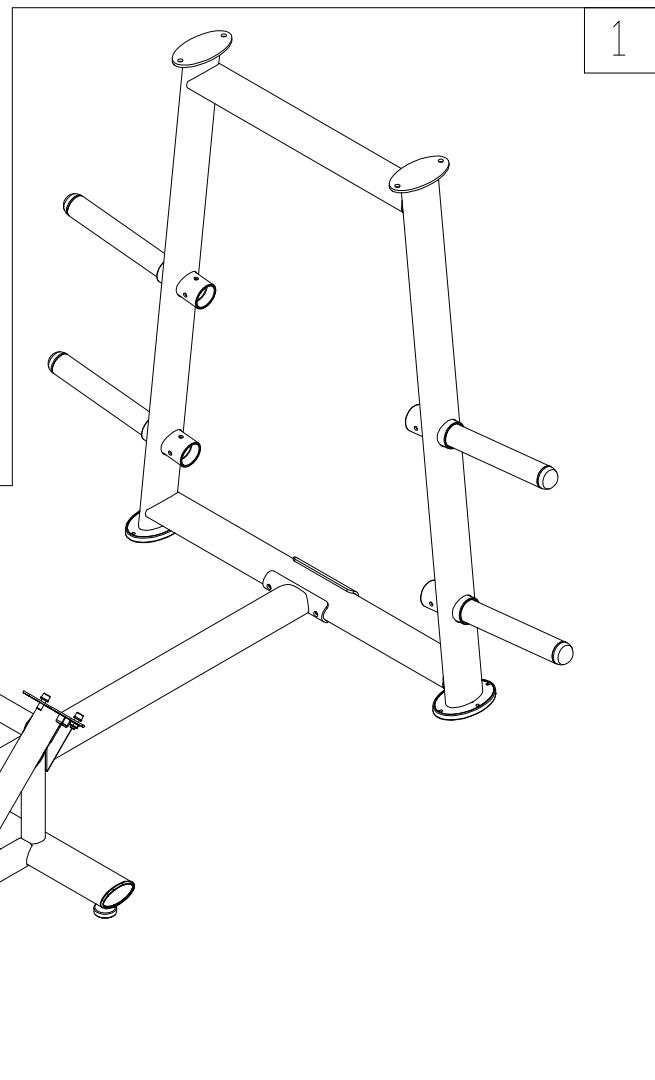
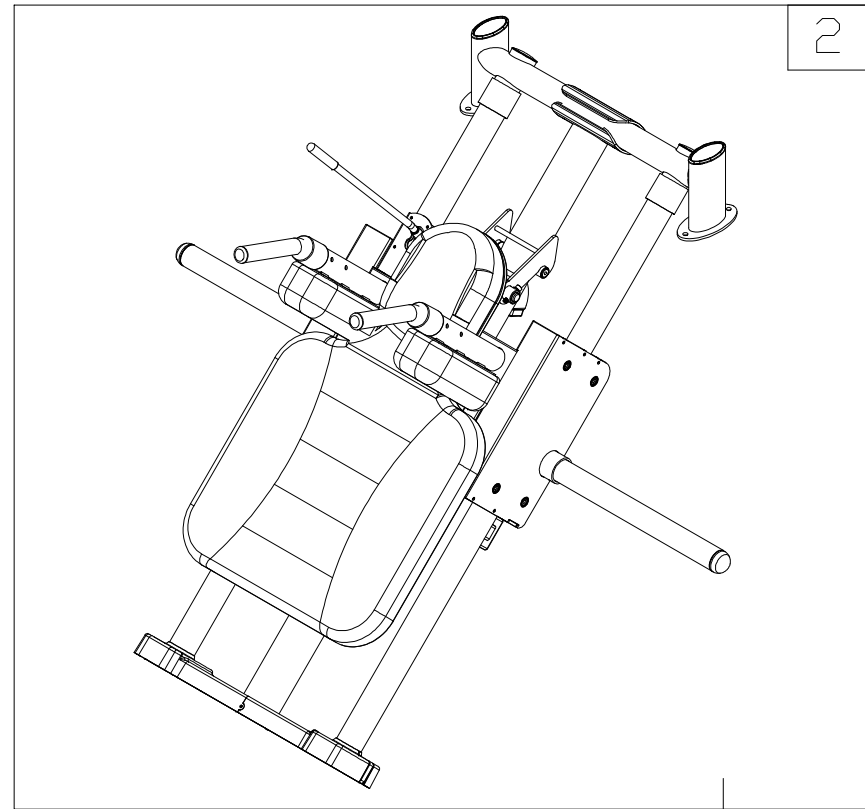


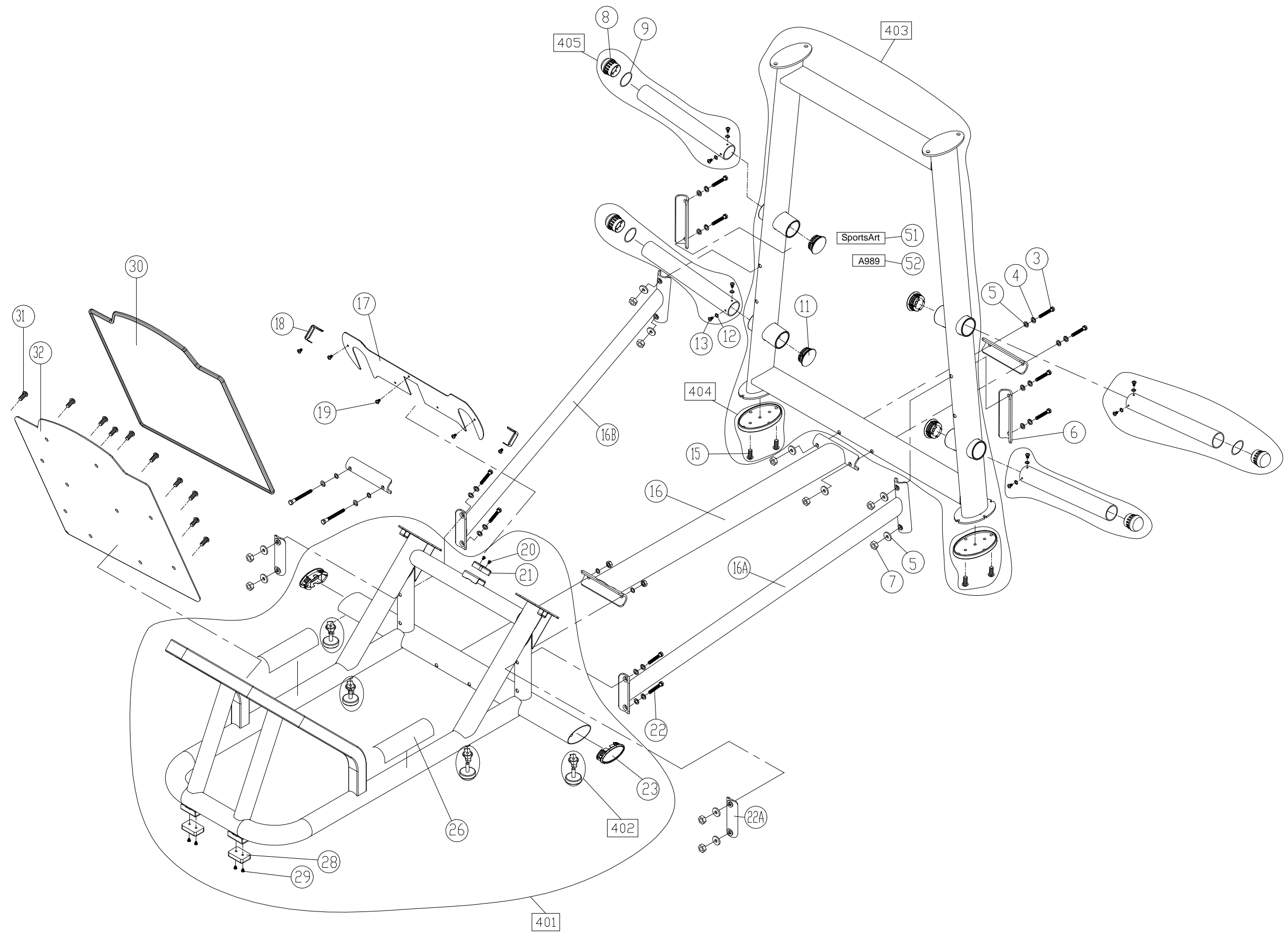
BBL	Description	QTY	Part Number	BBL	Description	QTY	Part Number
001	OWNER'S MANUAL	1	098-961-020	059	BUSHING	6	098-913-550
003	SCREW - H (M10*P1.5*L130)	8	002-206-082	061	SCREW - H (M10*P1.5*L30)	6	002-206-084
004	WASHER - SP (M10)	12	003-302-008	062	WASHER - SP (M10)	6	003-302-008
005	WASHER - F (D16*D10.2*T1.0)	24	003-301-141	063	WASHER - F (D21*D10.5*T2)	12	003-301-001
006	CONNECTING PLATE - GREY	4	198-910-74K	064	NUT - H/N (M10)	6	001-101-030
006	CONNECTING PLATE - SILVER	4	198-910-74C	065	BOLT - H (10MM M8*L20)	4	002-206-073
007	NUT - H/N (M10)	12	001-101-030	066	WASHER - SP (M8)	4	003-302-010
008	END CAP	4	A983-28	067	WASHER - F (D22*D8.2*T2)	4	003-301-042
009	WEIGHT STACK CUSHION	4	A981-17	068	RUBBER COVER	2	098-931-650
011	END CAP	4	A983-41	069	SCREW - B/H (M5*P0.8*L15)	4	002-230-512
012	WASHER - SU (D20*D7*T2.0)	8	E822-034B	070	SCREW - B/H (M5*P0.8*L15)	4	002-230-512
013	SCREW - M/H (M6*P1.0*L15)	8	002-203-023	071	WASHER - F (D16*D6.3*T2)	8	003-301-062
015	PASTIC RIVET	4	000-076-990	072	STICKER - WARNING	2	082-063-030
016	FRAME CONNECTOR - SILVER	1	198-950-10C	073	END CAP	2	A983-28
016	FRAME CONNECTOR - GREY	1	198-950-10K	074	SPRING CLIP	2	A983-27
016A	FRAME CONNECTOR - GREY	1	198-950-12K	075	WEIGHT STACK CUSHION	2	A981-17
016A	FRAME CONNECTOR - SILVER	1	198-950-12C	077	BOLT - H (10MM M8*L20)	16	002-206-073
016B	FRAME CONNECTOR - SILVER	1	198-950-13C	078	AXLE	8	098-913-541
016B	FRAME CONNECTOR - GREY	1	198-950-13K	079	ROLLER	8	095-630-020
017	COVER PLATE	1	198-910-660	080	BUSHING	16	098-913-730
018	COVER	2	198-910-711	081	WASHER - (D36*D8.5*T3.0)	16	103-301-154
019	SCREW - B/H (M5*P0.8*L15)	5	002-230-512	082	SCREW - M/H (M6*P1.0*L15)	4	002-203-023
020	SCREW - B/H (M5*P0.8*L15)	2	002-230-512	083	WASHER - SU (D20*D7*T2.0)	4	E822-034B
021	RUBBER BLOCK	1	A912-50	083R	SCREW - B/H (M5*P0.8*L10)	4	002-205-511
022	SCREW - H (M10*P1.5*L90)	4	002-206-077	083S	WASHER - SP (M5)	4	C521M-167
022A	CONNECTOR PLATE - GREY	2	198-910-92K	083T	WASHER - F (D15*D6.5*T3.0)	4	003-301-004
022A	CONNECTOR PLATE - SILVER	2	198-910-92C	084	BLOCK	2	A983-12
023	END CAP	2	A93-219	085	SCREW - B/H (M5*L30)	4	S972-053
026	PVC COVER - GREY	2	099-930-012	086	WASHER - F (D8*D5*T0.8)	4	003-301-080
026	PVC COVER - SILVER	2	DF-101-143	087	WASHER - SP (M5*P0.8*L12)	4	003-302-004
028	RUBBER BLOCK	2	A912-50	089	COVER PLATE - GREY	4	198-910-76K
029	SCREW - B/H (M5*P0.8*L15)	4	002-230-512	089	COVER PLATE - SILVER	4	198-910-76C
030	RUBBER PAD	1	A951-50	090	SCREW - M/P (M5*P0.8*L8)	14	E850-219A
031	SCREW - B/H (M6*L15)	8	002-202-031	091	WASHER - F (D10*D5*T1.0)	14	003-301-036
032	FOOT PRESS FRAME - SILVER	1	198-910-72C	092	STICKER - WARNING	2	082-063-030
032	FOOT PRESS FRAME - GREY	1	198-910-72K	093	BUSHING	2	A956-97
033	FRAME PIECE - SILVER	1	198-950-04C	094	SPRING	1	098-904-520
033	FRAME PIECE - GREY	1	198-950-04K	095	SCREW - M/P (M5*P0.8*L8)	4	E850-219A
038	END CAP	2	A991-09	096	SET PLATE	1	098-910-152
039	END CAP	2	A983-41	097	RUBBER COVER	2	A915-50
040	SCREW - H (M10*P1.5*L30)	4	002-206-084	098	HANDLE	2	000-033-052
041	WASHER - SP (M10)	4	003-302-008	099	HANDLEBAR CAP	2	C521R-170
042	WASHER - F (D21*D10.5*T2)	8	003-301-001	100	BOLT - H (10MM M8*L20)	8	002-206-073
043	NUT - H/N (M10)	4	001-101-030	101	WASHER - SP (M8)	8	003-302-010
047	RUBBER CAP	2	000-033-850	102	WASHER - (D18*D8.5*T2)	8	103-305-012
049	RUBBER BLOCK	1	A912-50	104	STICKER	1	098-963-021
050	SCREW - B/H (M5*P0.8*L15)	2	002-230-512	106	ADJUSTMENT HANDLE	1	098-913-160
051	STICKER - SPORTSART	2	099-163-020	107	TRANSPORT HANDLE CAP	1	C51R-19
052	STICKER - MODEL NUMBER	2	098-963-030	108	WASHER - F (D13*d6*t1.0)	2	003-301-034
057	BOLT - H (10MM M8*L20)	6	002-206-073	109	SNAP RING - (5MM)	2	004-402-002
058	WASHER - F (D26*D8.3*T3)	6	003-301-027	110	WASHER - (D16.5*D5.2*T2.0)	1	E850-219B

BBL	Description	QTY	Part Number	BBL	Description	QTY	Part Number
111	SCREW - B/H (M5*P0.8*L10)	1	002-205-511				
112	SCREW - P (M4*P0.7*L6)	2	002-211-222				
113	AXLE	1	098-913-140				
114	HANDLE FRAME	1	098-950-081				
115	AXLE	1	098-913-470				
116	SCREW - B/H (M8*P1.25*L30)	2	002-205-831				
117	WASHER - SP (M8)	2	003-302-010				
120	WASHER - F (D22*D8.2*T2)	2	003-301-042				
121	WASHER - SP (M8)	2	003-302-010				
122	BOLT - H (10MM M8*L20)	2	002-206-073				
123	BOLT - H (10MM M8*L20)	8	002-206-073				
124	WASHER - SP (M8)	8	003-302-010				
125	WASHER - F (D22*D8.2*T2)	8	003-301-042				
127	WASHER - F (D22*D8.2*T2)	4	003-301-042				
128	WASHER - SP (M8)	4	003-302-010				
129	SCREW - B/H (M8*L60)	4	002-205-863				
401	BASE FRAME - GREY	1	198-991-02K				
401	BASE FRAME - SILVER	1	198-991-02C				
402	LEVELER FOOT	4	S770-427				
403	UPPER FRAME - SILVER	1	198-991-03C				
403	UPPER FRAME - GREY	1	198-991-03K				
404	RUBBER FOOT	2	P711-414				
405	PLATE LOAD ARMS	4	198-891-060				
415	BACK CUSHION - BLACK	1	198-991-013				
415	BACK CUSHION - ORANGE	1	198-991-010				
416	SHOULDER CUSHION - ORANGE	2	198-991-160				
416	SHOULDER CUSHION - GREY	2	198-991-163				
417	ADJUSTMENT HANDLE	1	198-991-170				
418	HANDLE	2	198-991-180				
419	SEAT FRAME - SILVER	1	198-991-19C				
419	SEAT FRAME - GREY	1	198-991-19K				
420	BLOCK	2	198-291-090				
421	WHEEL ASSEMBLY	8	198-291-480				
422	PLATE LOAD ARM	1	198-991-220				
428	GUIDE TUBE - GREY	2	198-991-28L				
428	GUIDE TUBE - SILVER	2	198-991-288				
429	CONNECTOR PLATE - GREY	1	198-591-21K				
429	CONNECTOR PLATE - SILVER	1	198-591-21C				
430	CENTER FRAME - SILVER	1	198-991-30C				
430	CENTER FRAME - GREY	1	198-991-30K				
T04	LUBE - 1X50CC	1	000-051-021				
T401	HARDWARE KIT	1	198-291-400				

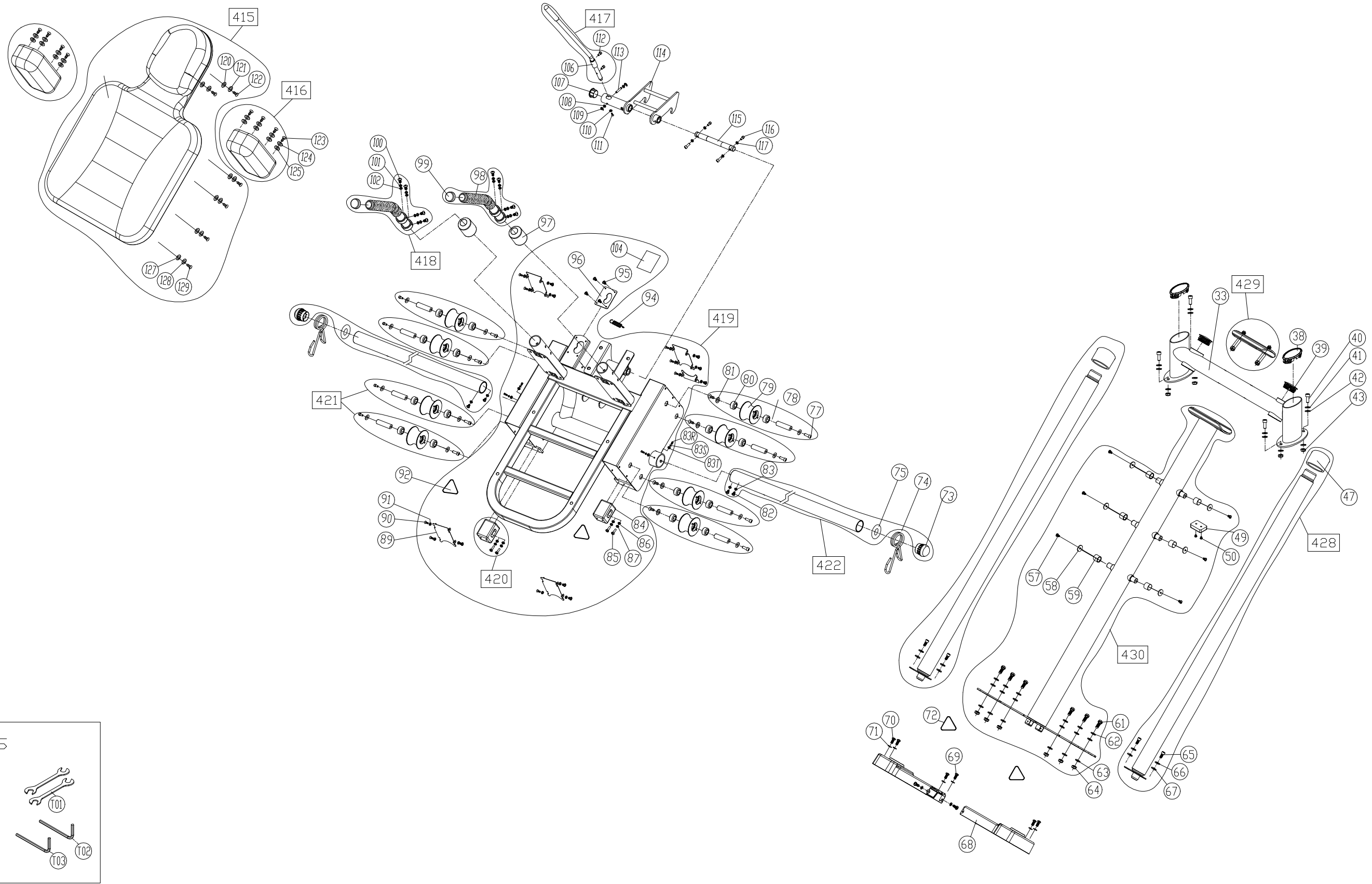
No.	Diagram	Tool Needed
1	GGs-F101B	
2	GGs-F101C	
3		



CHANGE DATE	CHANGE DESCRIPTION	CHANGE NO.	NAME	SportsArt FITNESS RESTRICTED USAGE , PLEASE DON'T FORWARD TO ANYONE WHO ISN'T AUTHORIZED	DRAWN BY	UNITS	MM	SALES BLOW UP DIAGRAM	DIAGRAM NO.	GGs-F101A-A	
					VERIFIED BY	QTY	1			MODEL	A989
						VERSION	A0	XX			
						RATIO	1:16				



CHANGE DATE	CHANGE DESCRIPTION	CHANGE NO.	NAME	 RESTRICTED USAGE , PLEASE DON'T FORWARD TO ANYONE WHO ISN'T AUTHORIZED	DRAWN BY	UNITS	MM	SALES BLOW UP DIAGRAM	DIAGRAM NO.	GGS-F101B-A	
					VERIFIED BY	QTY	1			A989	
						VERSION	A0	XX		MODEL	
						RATIO	1:12				



Tools

CHANGE DATE	CHANGE DESCRIPTION	CHANGE NO.	NAME	<p>RESTRICTED USAGE , PLEASE DON'T FORWARD TO ANYONE WHO ISN'T AUTHORIZED</p>	DRAWN BY	UNITS	MM	SALES BLOW UP DIAGRAM	DIAGRAM NO.	GGs-F101C-A	
					VERIFIED BY	QTY	1				A989
						VERSION	A0	XX		MODEL	
						RATIO	1:16				