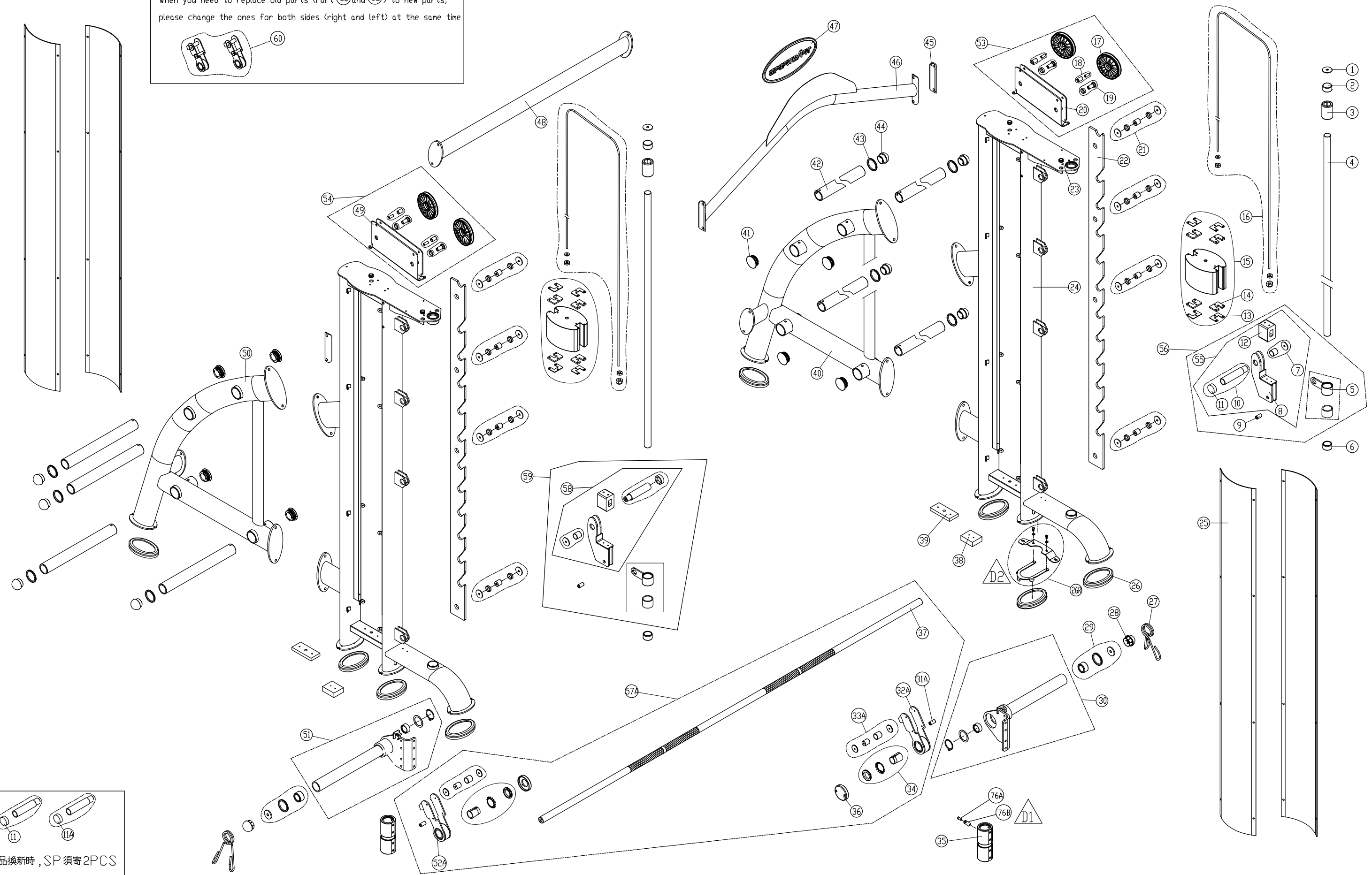
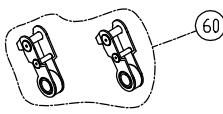


BBL	Description	QTY	Part Number	BBL	Description	QTY	Part Number
001	WASHER - (D44*D10.5*T3.0)	2	A983-01	046	OVERHEAD BAR - SILVER	1	A983-46
002	BLOCK	4	A983-02	046-1	OVERHEAD BAR - GREY	2	198-350-10K
003	BUMPER	2	A933-63	047	LOGO PLATE	1	A911-13
004	GUIDE ROD	2	A983-04	048	FRAME CONNECTOR - SILVER	1	A983-48
005	BLOCK	2	A983-05	048-1	FRAME CONNECTOR - GREY	2	198-350-03K
006	SHOCK ABSORBER	2	A956-43	049	PULLEY BRACKET - SILVER	1	A983-49
007	BUSHING	2	A983-07	049-1	PULLEY BRACKET - GREY	2	198-310-22K
008	CABLE GUIDE	2	098-350-092	050	FRAME LEG - LEFT - SILVER	1	A983-50
009	AXLE	2	A983-09	050-1	FRAME LEG - LEFT - GREY	1	198-391-27K
010	HANDLE	2	198-391-040	051	PLATE LOAD BAR	1	A983-51
011A	END CAP	2	DF-103-178	052A	HOOK PLATE - LEFT	1	A983-52
012	BLOCK	2	A983-12	053	PULLEY - RIGHT - SILVER	1	A983-53
013	GUIDE PLATE	8	A983-13	053-1	PULLEY - RIGHT - GREY	2	198-391-14K
014	GUIDE PLATE	8	A983-14	054	PULLEY - LEFT - SILVER	1	A983-54
015	16KG WEIGHT PLATE	2	A983-15	054-1	PULLEY - LEFT - GREY	2	198-391-15K
016	STRENGTH CABLE - (?)	2	A983-16	055	STOPPER ASSEMBLY	1	A983-55
017	PULLEY	4	A971-08	056	STOPPER & GUIDE ASSEMBLY	1	A983-56
018	STOPPER	4	A971-31	057A	LIFT BAR	1	A983-57
019	PIN	4	A971-30	058	STOPPER ASSEMBLY	1	A983-58
020	PULLEY BRACKET - SILVER	1	A983-20	059	STOPPER & GUIDE ASSEMBLY	1	A983-59
020-1	PULLEY BRACKET - GREY	1	198-310-23K	060	HOOK PLATE UPGRADE	1	A983-60
021	HOOK AXLE	4	A983-21	076A	SCREW -B/H (M8*P1.25*L18)	2	002-205-813
022	NOTCHED BAR - SILVER	2	A983-22	076B	BUSHING	2	012-213-100
022-1	NOTCHED BAR - GREY	2	098-310-18K				
023	NOISE SUPPRESSOR	4	A983-23				
024	MAIN FRAME - RIGHT - SILVER	2	198-350-128				
024-1	MAIN FRAME - RIGHT - GREY	3	198-350-12K				
025	SIDE COVER	4	A983-25				
026	RUBBER FOOT	8	A911-10				
026R	GROUND ANCHOR	1	198-391-280				
027	SPRING CLIP	2	A983-27				
028	END CAP	2	A983-28				
029	BUSHING SET	2	A983-29				
030	PLATE LOAD BAR	1	A983-30				
031A	ANGLE LIMITER	1	A983-31				
032A	HOOK PLATE - RIGHT	1	A983-32				
033A	AXLE	2	A983-33				
034	BEARING	2	A983-34				
035	LINEAR BEARING SHEATH	2	A983-35				
036	END CAP	2	A983-36				
037	LIFT BAR	1	A983-37				
038	RUBBER BLOCK	2	A912-50				
039	WEIGHT STACK CUSHION	2	A911-48				
040	FRAME LEG - RIGHT - SILVER	1	A983-40				
040-1	FRAME LEG - RIGHT - GREY	1	198-391-26K				
041	END CAP	8	A983-41				
042	PLATE LOAD BAR	8	A983-42				
043	WEIGHT STACK CUSHION	8	A981-17				
044	END CAP	8	A983-28				
045	CONNECTOR PLATE - SILVER	2	A983-45				
045-1	CONNECTOR PLATE - GREY	3	198-310-12K				

When you need to replace old parts (Part 32 and 52) to new parts, please change the ones for both sides (right and left) at the same time



舊品換新時，SP須寄2PCS

CHANGE DATE	CHANGE DESCRIPTION	CHANGE NO.	NAME	 RESTRICTED USAGE , PLEASE DON'T FORWARD TO ANYONE WHO ISN'T AUTHORIZED	DRAWN BY	UNITS	MM	SALES BLOW UP DIAGRAM	DIAGRAM NO.	GGD-F001A-D	
2012.07.12	 修改件號 (76) 零件，由於操作原有檔點太低，可能刮傷烤漆		林士文			QTY	1				A983
2016.04.29	 為增加機台固定性，新增 (26R)	05-20151205M	鄭宜峰			VERSION	D2	XX		MODEL	
98.6.5	修改 (31)=(31A) (32)=(32A) (33)=(33A) (52)=(52A) 新增 (60)	05-980607	陳泓霖			VERIFIED BY	RATIO	1:16			