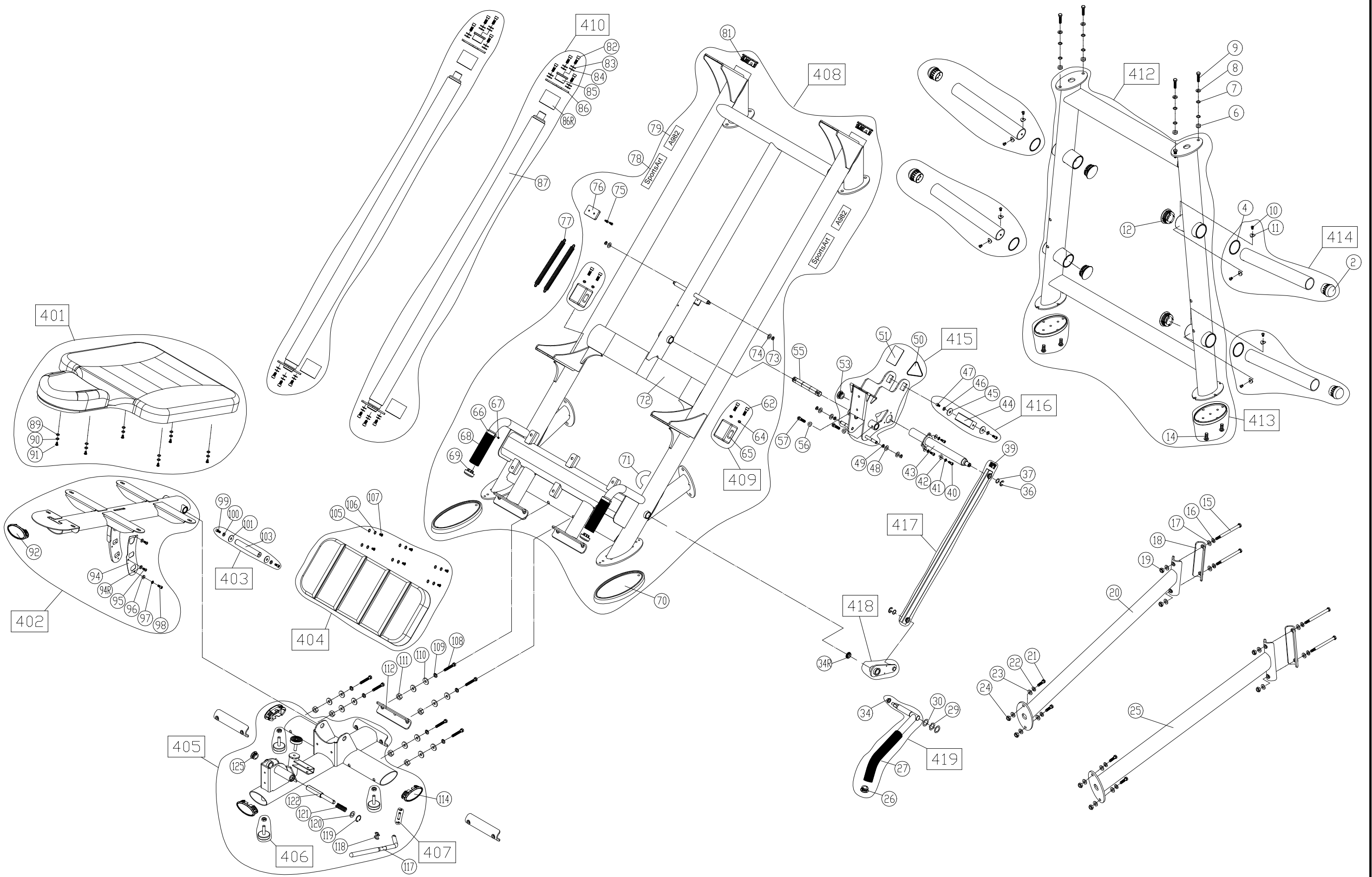


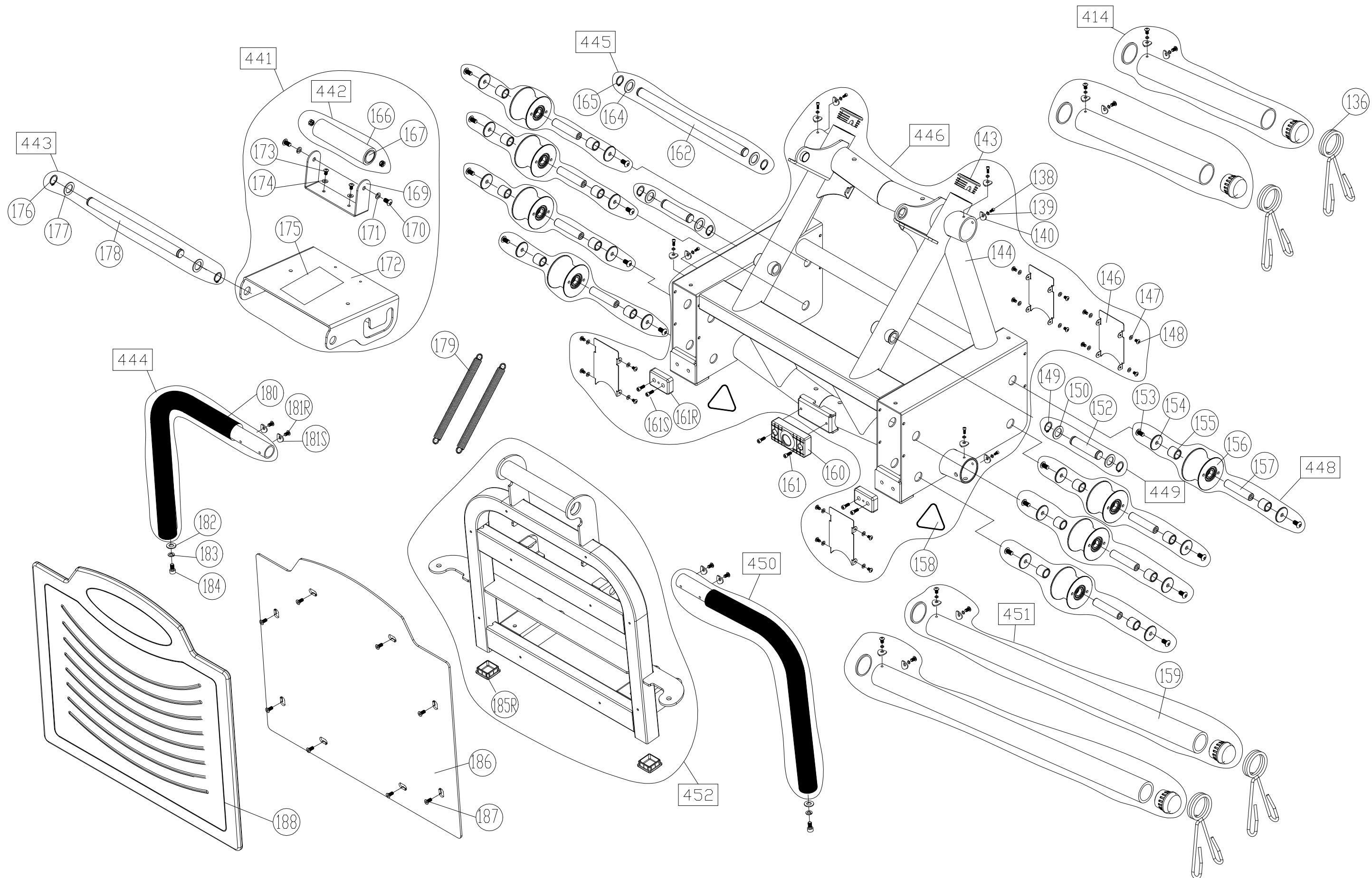
| BBL  | Description                 | QTY | Part Number | BBL  | Description                 | QTY | Part Number |
|------|-----------------------------|-----|-------------|------|-----------------------------|-----|-------------|
| 001  | OWNER'S MANUAL              | 1   | 098-261-020 | 057  | SCREW - B/H (M8*P1.25*L35)  | 2   | 002-201-032 |
| 002  | END CAP                     | 4   | A983-28     | 062  | SCREW - B/H (M5*L30)        | 4   | S972-053    |
| 004  | WEIGHT STACK CUSHION        | 4   | A981-17     | 064  | WASHER - F (D13*D5.2*T1.0)  | 4   | 003-301-012 |
| 006  | NUT - H/N (M10)             | 4   | 001-101-030 | 065  | BLOCK                       | 2   | A983-12     |
| 007  | WASHER - F (D16*D10.2*T1.0) | 8   | 003-301-141 | 066  | HANDLEBAR RING              | 2   | A931-40     |
| 008  | WASHER - SP (M10)           | 4   | 003-302-008 | 067  | SCREW - H (M5*L5)           | 2   | 002-204-064 |
| 009  | SCREW - H (M10*P1.5*L30)    | 4   | 002-206-084 | 068  | RUBBER GRIP                 | 2   | S956-201    |
| 010  | SCREW - M/H (M6*P1.0*L15)   | 8   | 002-203-023 | 069  | END CAP                     | 2   | DF-103-178  |
| 011  | WASHER - SU (D20*D7*T2.0)   | 8   | E822-034B   | 070  | RUBBER PAD                  | 2   | A911-53     |
| 012  | END CAP                     | 4   | A983-41     | 071  | STICKER - HANDLE            | 1   | 098-263-020 |
| 014  | PASTIC RIVET                | 4   | 000-076-990 | 072  | PVC COVER - GREY            | 2   | 099-930-012 |
| 015  | SCREW - H (M10*P1.5*L130)   | 4   | 002-206-082 | 073  | E-CLIP - (8MM)              | 2   | 004-402-009 |
| 016  | WASHER - SP (M10)           | 4   | 003-302-008 | 074  | WASHER - F (D16*D10.2*T1.0) | 2   | 003-301-141 |
| 017  | WASHER - F (D16*D10.2*T1.0) | 8   | 003-301-141 | 075  | SCREW - B/H (M5*P0.8*L15)   | 2   | 002-230-512 |
| 018  | CONNECTING PLATE - SILVER   | 2   | 198-910-74C | 076  | RUBBER CUSHION              | 1   | A951-84     |
| 018  | CONNECTING PLATE - GREY     | 2   | 198-910-74K | 077  | IDLER SPRING                | 2   | 5007-08     |
| 019  | NUT - H/N (M10)             | 4   | 001-101-030 | 078  | STICKER - SPORTSART         | 2   | 000-063-960 |
| 020  | CONNECTOR FRAME - SILVER    | 1   | 198-250-17C | 079  | STICKER - MODEL NUMBER      | 2   | 098-263-030 |
| 020  | CONNECTOR FRAME - GREY      | 1   | 198-250-17K | 081  | END CAP                     | 2   | A991-09     |
| 021  | SCREW - H (M10*P1.5*L30)    | 4   | 002-206-084 | 082  | SCREW - B/H (M8*P1.25*L20)  | 14  | 002-205-820 |
| 022  | WASHER - SP (M10)           | 4   | 003-302-008 | 083  | WASHER - SP (M8)            | 14  | 003-302-010 |
| 023  | WASHER - F (D16*D10.2*T1.0) | 8   | 003-301-141 | 084  | WASHER - F (D22*D8.2*T2)    | 14  | 003-301-042 |
| 024  | NUT - H/N (M10)             | 4   | 001-101-030 | 085  | BUSHING                     | 2   | 098-213-320 |
| 025  | CONNECTOR FRAME - GREY      | 1   | 198-250-18K | 086  | BRACKET PLATE               | 2   | 198-210-270 |
| 025  | CONNECTOR FRAME - SILVER    | 1   | 198-250-18C | 086R | RUBBER COVER                | 4   | 000-033-997 |
| 026  | HANDLEBAR CAP               | 1   | C521R-170   | 087  | GUIDE RAIL - SILVER         | 2   | 198-250-05L |
| 027  | RUBBER GRIP                 | 1   | P721-209    | 087  | GUIDE RAIL - GREY           | 2   | 198-250-058 |
| 029  | WASHER - W (D30*D20)        | 1   | 003-303-009 | 089  | WASHER - F (D22*D8.2*T2)    | 6   | 003-301-042 |
| 030  | WASHER - (D30*D20.2*T0.5)   | 2   | 103-301-151 | 090  | WASHER - SP (M8)            | 6   | 003-302-010 |
| 034  | CRANK ARM NUT               | 1   | NT01-01     | 091  | BOLT - H (10MM M8*L20)      | 6   | 002-206-073 |
| 034R | CRANK ARM NUT CAP           | 1   | 5002-17B    | 092  | END CAP                     | 1   | A991-09     |
| 036  | SNAP RING - (12MM)          | 2   | 004-402-007 | 094  | ADJUSTMENT BRACKET          | 1   | 098-210-410 |
| 037  | WASHER - (D19*D15.2*T0.5)   | 2   | 003-301-058 | 094R | WASHER - SP (M6)            | 2   | 003-302-011 |
| 039  | CAP                         | 2   | XT50-15     | 095  | SCREW - M/H (M6*P1.0*L12)   | 2   | 002-203-027 |
| 040  | SCREW - B/H (M6*P1.0*L15)   | 3   | 002-205-614 | 096  | WASHER - F (D15*D6.5*T3.0)  | 1   | 003-301-004 |
| 041  | WASHER - SP (M6)            | 3   | 003-302-011 | 097  | WASHER - SP (M6)            | 1   | 003-302-011 |
| 042  | WASHER - F (D16*D6.5*T1.5)  | 3   | 003-301-011 | 098  | SCREW - B/H (M6*P1.0*L15)   | 1   | 002-205-614 |
| 043  | CONNECTOR ROD - SILVER      | 1   | 198-250-21C | 099  | SCREW - B/H (M8*P1.25*L20)  | 2   | 002-205-820 |
| 043  | CONNECTOR ROD - GREY        | 1   | 198-250-21K | 100  | WASHER - SP (M8)            | 2   | 003-302-010 |
| 044  | METAL BLOCK                 | 1   | 098-213-510 | 101  | WASHER - F (D26*D8.5*T2)    | 2   | 003-301-033 |
| 045  | WASHER - (D46*D8.5*T3.0)    | 2   | 103-301-150 | 103  | AXLE                        | 1   | 098-213-740 |
| 046  | WASHER - SP (M8)            | 2   | 003-302-010 | 105  | WASHER - F (D22*D8.2*T2)    | 6   | 003-301-042 |
| 047  | SCREW - B/H (M8*P1.25*L20)  | 2   | 002-205-820 | 106  | WASHER - SP (M8)            | 6   | 003-302-010 |
| 048  | WASHER - F (D16*D10.2*T1.0) | 4   | 003-301-141 | 107  | BOLT - H (10MM M8*L20)      | 6   | 002-206-073 |
| 049  | E-CLIP - (8MM)              | 4   | 004-402-009 | 108  | SCREW - H (M10*P1.5*L130)   | 6   | 002-206-082 |
| 050  | STICKER - WARNING           | 1   | 082-063-030 | 109  | WASHER - SP (M10)           | 6   | 003-302-008 |
| 051  | SPACER                      | 1   | 051-731-010 | 110  | WASHER - F (D16*D10.2*T1.0) | 12  | 003-301-141 |
| 053  | CAP                         | 1   | C575U-436   | 111  | NUT - H/N (M10)             | 6   | 001-101-030 |
| 054  | BUSHING                     | 2   | A956-97     | 112  | CONNECTOR PLATE - GREY      | 3   | 198-910-74K |
| 055  | AXLE                        | 1   | 098-213-790 | 112  | CONNECTOR PLATE - SILVER    | 3   | 198-910-74C |
| 056  | WASHER - (D18*D8.5*T2)      | 2   | 103-305-012 | 114  | END CAP                     | 2   | A991-09     |

| BBL  | Description                  | QTY | Part Number  | BBL  | Description                 | QTY | Part Number |
|------|------------------------------|-----|--------------|------|-----------------------------|-----|-------------|
| 117  | ADJUSTMENT HANDLE            | 1   | 098-253-381  | 181R | WASHER - SU (D20*D7*T2.0)   | 4   | E822-034B   |
| 118  | CONNECTOR                    | 1   | 098-204-110  | 181S | SCREW - M/H (M6*P1.0*L15)   | 4   | 002-203-023 |
| 119  | SNAP RING - (RTW-26)         | 1   | 004-401-009  | 182  | WASHER - F (D16*D10.2*T1.0) | 2   | 003-301-141 |
| 120  | WASHER - (D25.5*D16.5*T12.0) | 1   | 003-301-165  | 183  | WASHER - SP (M10)           | 2   | 003-302-008 |
| 121  | SPRING                       | 1   | 098-204-010  | 184  | SCREW - B/H (M10*P1.5*L25)  | 2   | 002-230-025 |
| 122  | ADJUSTMENT AXLE              | 1   | 098-213-182  | 185R | END CAP                     | 2   | 1200-16     |
| 125  | CAP                          | 1   | C575U-436    | 186  | FOOT PRESS FRAME - GREY     | 1   | 198-910-72K |
| 136  | SPRING CLIP                  | 4   | A983-27      | 186  | FOOT PRESS FRAME - SILVER   | 1   | 198-910-72C |
| 137  | END CAP                      | 4   | A983-28      | 187  | SCREW - B/H (M6*L15)        | 8   | 002-202-031 |
| 138  | SCREW - B/H (M6*P1.0*L10)    | 8   | 002-205-610  | 188  | RUBBER PAD                  | 1   | A951-50     |
| 139  | WASHER - SP (M6)             | 16  | 003-302-011  | 401  | BACK CUSHION - ORANGE       | 1   | 198-991-010 |
| 140  | WASHER - SU (D20*D7*T2.0)    | 16  | E822-034B    | 401  | BACK CUSHION - BLACK        | 1   | 198-991-013 |
| 142  | SCREW - M/H (M6*P1.0*L15)    | 8   | 002-203-023  | 402  | BACK CUSHION FRAME - GREY   | 1   | 198-291-02K |
| 143  | END CAP                      | 2   | S912-183     | 402  | BACK CUSHION FRAME - SILVER | 1   | 198-291-02C |
| 144  | PUSH FRAME - GREY            | 1   | 198-250-02K  | 403  | AXLE                        | 1   | 198-291-030 |
| 144  | PUSH FRAME - SILVER          | 1   | 198-250-02C  | 404  | BOTTOM CUSHION - ORANGE     | 1   | 198-291-020 |
| 145  | WEIGHT STACK CUSHION         | 4   | A981-17      | 404  | BOTTOM CUSHION - BLACK      | 1   | 198-291-023 |
| 146  | COVER PLATE - SILVER         | 4   | 198-910-76C  | 405  | REAR FRAME - SILVER         | 1   | 198-291-05C |
| 146  | COVER PLATE - GREY           | 4   | 198-910-76K  | 405  | REAR FRAME - GREY           | 1   | 198-291-05K |
| 147  | WASHER - F (D10*D5*T1.0)     | 15  | 003-301-036  | 406  | LEVELLER                    | 3   | DF-102-028  |
| 148  | SCREW - M/P (M5*P0.8*L8)     | 15  | E850-219A    | 407  | PIN & COTTER                | 1   | A93-225     |
| 149  | SNAP RING - (STW-20)         | 4   | 004-401-006  | 408  | MAIN FRAME - SILVER         | 1   | 198-291-09C |
| 150  | WASHER - (D31*D20.2*T2.0)    | 4   | 103--301-159 | 408  | MAIN FRAME - GREY           | 1   | 198-291-09K |
| 152  | AXLE                         | 2   | 098-213-101  | 409  | BLOCK                       | 2   | 198-291-090 |
| 153  | BOLT - H (10MM M8*L20)       | 16  | 002-206-073  | 410  | GUIDE RAIL - SILVER         | 2   | 198-291-10L |
| 154  | WASHER - (D36*D8.5*T3.0)     | 16  | 103-301-154  | 410  | GUIDE RAIL - GREY           | 2   | 198-291-108 |
| 155  | BUSHING                      | 16  | 098-913-730  | 412  | FRONT FRAME - SILVER        | 1   | 198-291-12C |
| 156  | ROLLER                       | 8   | 095-630-020  | 412  | FRONT FRAME - GREY          | 1   | 198-291-12K |
| 157  | AXLE                         | 8   | 098-913-541  | 413  | RUBBER FOOT                 | 2   | P711-414    |
| 158  | STICKER - WARNING            | 2   | 082-063-030  | 414  | PLATE LOAD ARMS             | 6   | 198-891-060 |
| 159  | PLATE LOAD BAR               | 2   | 098-213-130  | 415  | CENTER FRAME - SILVER       | 1   | 198-291-15C |
| 160  | WEIGHT STACK CUSHION         | 1   | P711-083     | 415  | CENTER FRAME - GREY         | 1   | 198-291-15K |
| 161  | SCREW - B/H (M6*P1.0*L15)    | 2   | 002-205-613  | 416  | BLOCK                       | 1   | 198-291-160 |
| 161R | RUBBER BLOCK                 | 2   | A912-50      | 417  | RAIL - SILVER               | 1   | 198-291-17C |
| 161S | SCREW - B/H (M5*P0.8*L15)    | 4   | 002-230-512  | 417  | RAIL - GREY                 | 1   | 198-291-17K |
| 162  | AXLE                         | 1   | 098-213-930  | 418  | CONNECTOR - SILVER          | 1   | 198-291-18C |
| 164  | WASHER - (D31*D20.2*T2.0)    | 2   | 103--301-159 | 418  | CONNECTOR - GREY            | 1   | 198-291-18K |
| 165  | SNAP RING - (STW-20)         | 2   | 004-401-006  | 419  | ADJUSTMENT HANDLE - SILVER  | 1   | 198-291-19C |
| 166  | RUBBER GRIP                  | 1   | 000-033-171  | 419  | ADJUSTMENT HANDLE - GREY    | 1   | 198-291-19K |
| 167  | HANDLE - INNER               | 1   | 197-011-18F  | 441  | HANDLE ASSEMBLY             | 1   | 198-291-410 |
| 169  | HANDLE FRAME                 | 1   | 098-210-020  | 442  | RUBBER GRIP                 | 1   | DF-101-415  |
| 170  | SCREW - M/H (M8*P1.25*L25)   | 2   | 002-203-061  | 443  | AXLE                        | 1   | 198-291-430 |
| 171  | WASHER - SP (M8)             | 2   | 003-302-010  | 444  | HANDLE - LEFT               | 2   | 198-291-440 |
| 172  | HANDLE PLATE                 | 1   | 198-250-163  | 445  | HANDLE - RIGHT              | 1   | 198-291-450 |
| 173  | SCREW - M/H (M6*P1.0*L15)    | 2   | 002-203-023  | 446  | PRESS FRAME - SILVER        | 1   | 198-291-46C |
| 174  | WASHER - F (D15*D6.5*T3.0)   | 2   | 003-301-004  | 446  | PRESS FRAME - GREY          | 1   | 198-291-46K |
| 175  | STICKER - OPERATION          | 1   | 098-263-100  | 448  | WHEEL ASSEMBLY              | 8   | 198-291-480 |
| 176  | SNAP RING - (STW-20)         | 2   | 004-401-006  | 449  | AXLE                        | 2   | 198-291-490 |
| 177  | WASHER - (D31*D20.2*T2.0)    | 2   | 103--301-159 | 451  | PLATE LOAD BAR              | 2   | 198-291-510 |
| 178  | AXLE                         | 1   | 098-213-950  | 452  | FOOT REST FRAME - SILVER    | 1   | 198-291-52C |
| 179  | SPRING                       | 2   | 098-204-430  | 452  | FOOT REST FRAME - GREY      | 1   | 198-291-52K |

| BBL  | Description   | QTY | Part Number | BBL | Description | QTY | Part Number |
|------|---------------|-----|-------------|-----|-------------|-----|-------------|
| T04  | LUBE - 1X50CC | 1   | 000-051-021 |     |             |     |             |
| T401 | HARDWARE KIT  | 1   | 198-291-400 |     |             |     |             |



|             |                    |            |      |                                                                                                                                                                    |             |         |      |                       |             |             |
|-------------|--------------------|------------|------|--------------------------------------------------------------------------------------------------------------------------------------------------------------------|-------------|---------|------|-----------------------|-------------|-------------|
| CHANGE DATE | CHANGE DESCRIPTION | CHANGE NO. | NAME | <br>RESTRICTED USAGE ,<br>PLEASE DON'T FORWARD TO ANYONE WHO ISN'T AUTHORIZED | DRAWN BY    | UNITS   | MM   | SALES BLOW UP DIAGRAM | DIAGRAM NO. | GGE-F101B-A |
| XXXXXXXX    |                    |            |      |                                                                                                                                                                    | VERIFIED BY | QTY     | 1    |                       |             | A982        |
|             |                    |            |      |                                                                                                                                                                    |             | VERSION | A0   |                       | MODEL       |             |
|             |                    |            |      |                                                                                                                                                                    |             | RATIO   | 1/14 |                       |             |             |



| CHANGE DATE | CHANGE DESCRIPTION | CHANGE NO. | NAME | <b>SportsArt</b><br><b>FITNESS</b><br>RESTRICTED USAGE ,<br>PLEASE DON'T FORWARD TO ANYONE WHO ISN'T AUTHORIZED | DRAWN BY    | UNITS   | MM  | SALES BLOW UP DIAGRAM | DIAGRAM NO. | GGE-F101C-A |      |
|-------------|--------------------|------------|------|-----------------------------------------------------------------------------------------------------------------|-------------|---------|-----|-----------------------|-------------|-------------|------|
| XXXXXXXX    |                    |            |      |                                                                                                                 | VERIFIED BY | QTY     | 1   |                       |             |             | A982 |
|             |                    |            |      |                                                                                                                 |             | VERSION | A0  |                       |             | MODEL       |      |
|             |                    |            |      |                                                                                                                 |             | RATIO   | 1/8 |                       |             |             |      |