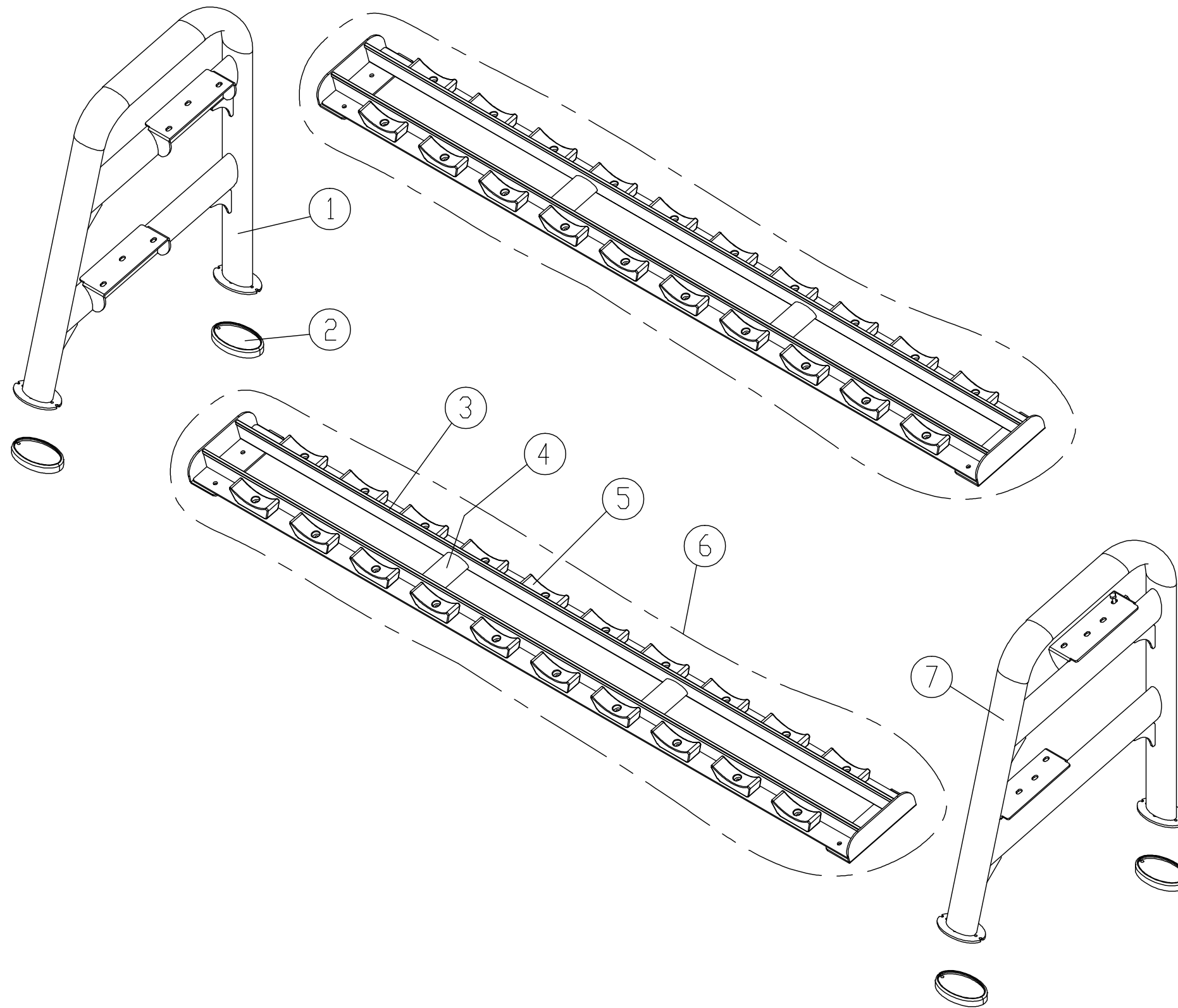


BBL	Description	QTY	Part Number	BBL	Description	QTY	Part Number
001	FRAME - LEFT - SILVER	1	194-150-02C				
001.1	FRAME - LEFT - GREY	1	194-150-02K				
002	RUBBER FOOT	4	A911-10				
003	FRAME	4	094-130-011				
004	FRAME - SILVER	2	194-150-30C				
004.1	FRAME - GREY	2	194-150-30K				
005	RUBBER CUSHION	40	094-131-010				
006	FRAME ASSEMBLY - GREY	2	194-191-012				
006.1	FRAME ASSEMBLY - SILVER	1	194-191-01K				
007	FRAME - RIGHT - SILVER	1	194-150-01C				
007.1	FRAME - RIGHT - GREY	1	194-150-01K				



CHANGE DATE	CHANGE DESCRIPTION	CHANGE NO.	NAME		DRAWN BY	UNITS	MM	SALES BLOW UP DIAGRAM	DIAGRAM NO.	GGJ-F001A-A	
					VERIFIED BY	QTY	1			MODEL	A901
						VERSION	A0				
						RATIO	1:12				