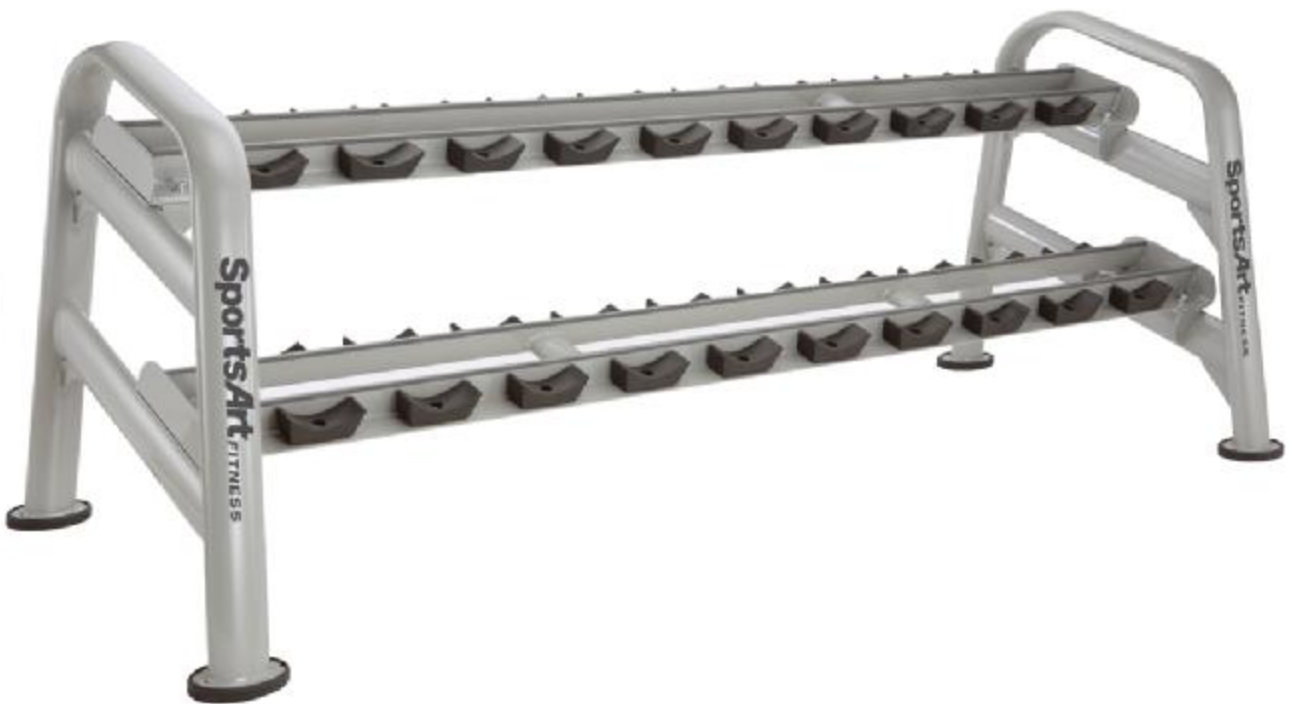


**A901**  
OWNER'S MANUAL  
ASSEMBLY INSTRUCTIONS

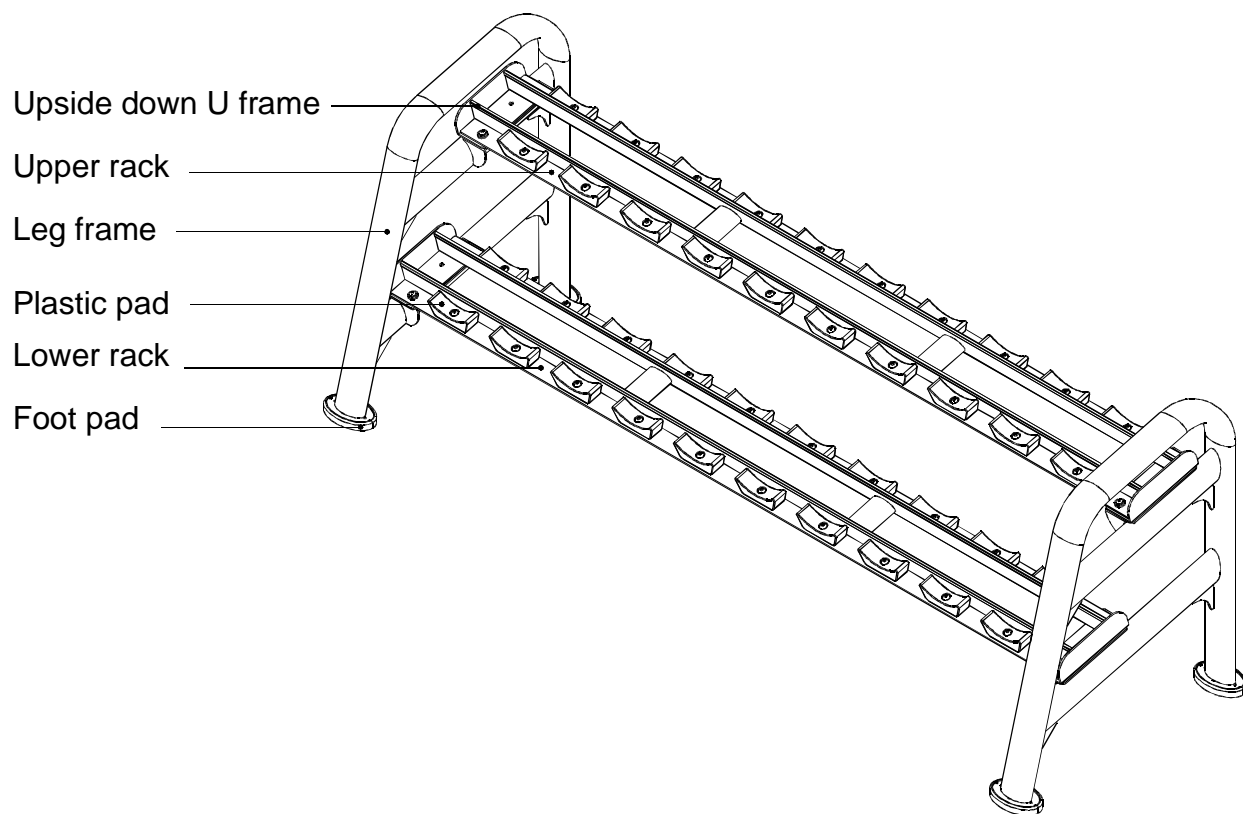


***10-PAIR  
DUMBBELL RACK***

## **A. SAFETY INSTRUCTIONS**

- Read all cautions/warnings and obtain proper instruction on use of the machines prior to using. Use appropriate positioning and controlled movements.
- Assemble and operate the machine on a solid, level surface. DO NOT use outdoors or near water.
- Never allow children on or near the machine.
- Make sure all fasteners are properly tightened for safety. DO NOT use the machine if the unit is disassembled in any way.
- DO NOT use any accessories that aren't specifically recommended by the manufacturer. These might cause injuries or cause the unit to fall.
- Close supervision is necessary when this machine is used by, on, or near adolescent, invalids, and disabled persons.
- Never drop or insert any object into any opening.

## **B. INTRODUCTION**



## **C. LIST OF PARTS**

1. One double-end open wrench 8mm and 17mm
2. One L Shaped, M5 hex wrench
3. Two upside down U frames
4. One upper rack
5. One lower rack

## **D. ASSEMBLY INSTRUCTION**

Step 1: Assemble the upper rack onto two leg frames by loosely securing the hardware.

Step 2: Loosely secure screws at position "A".

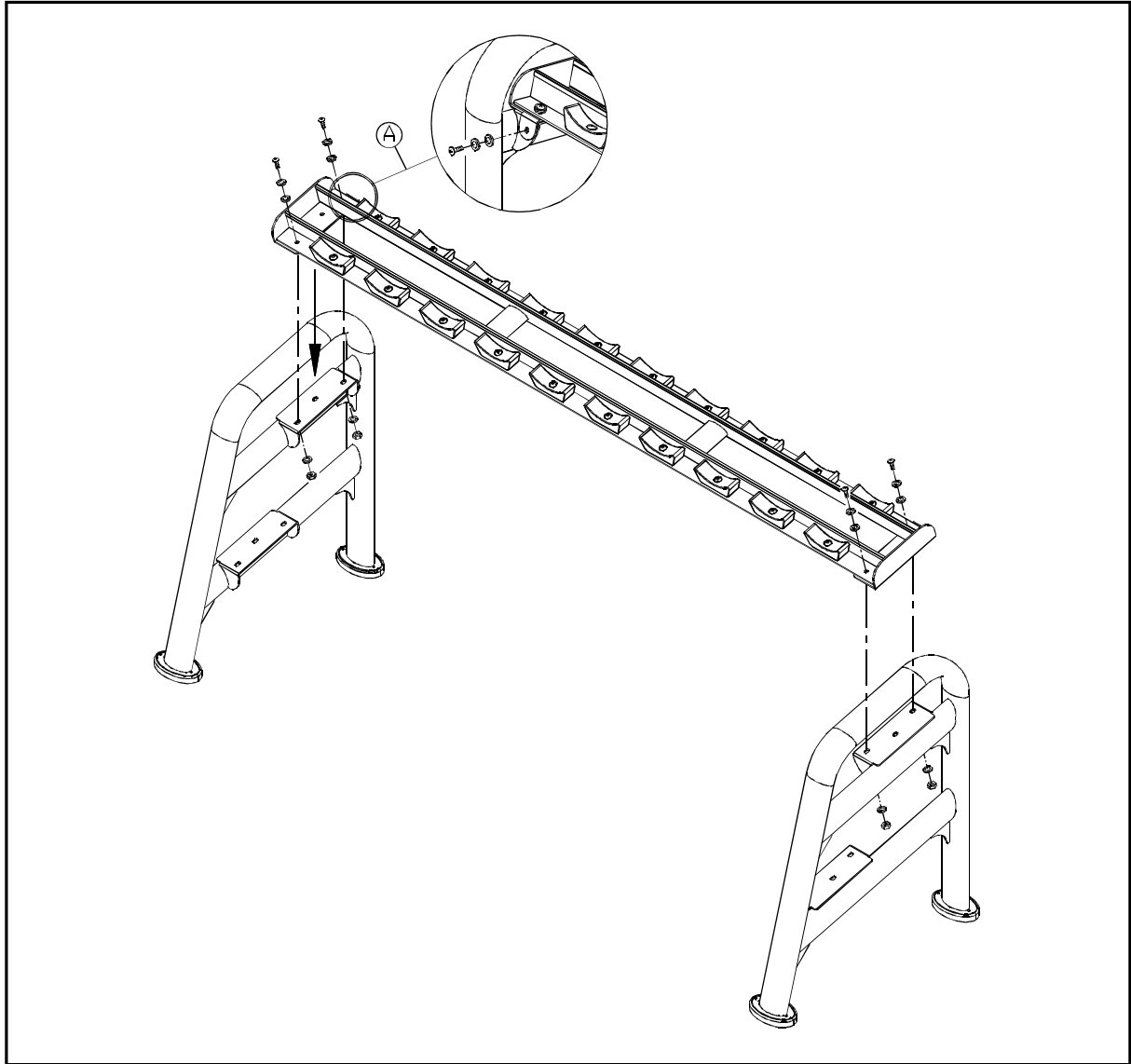


Fig.1

Step 3: Repeat step 1 for lower rack installation.

Step 4: Loosely secure screws provided at position "A".

Step 5: Secure all hardware provided.

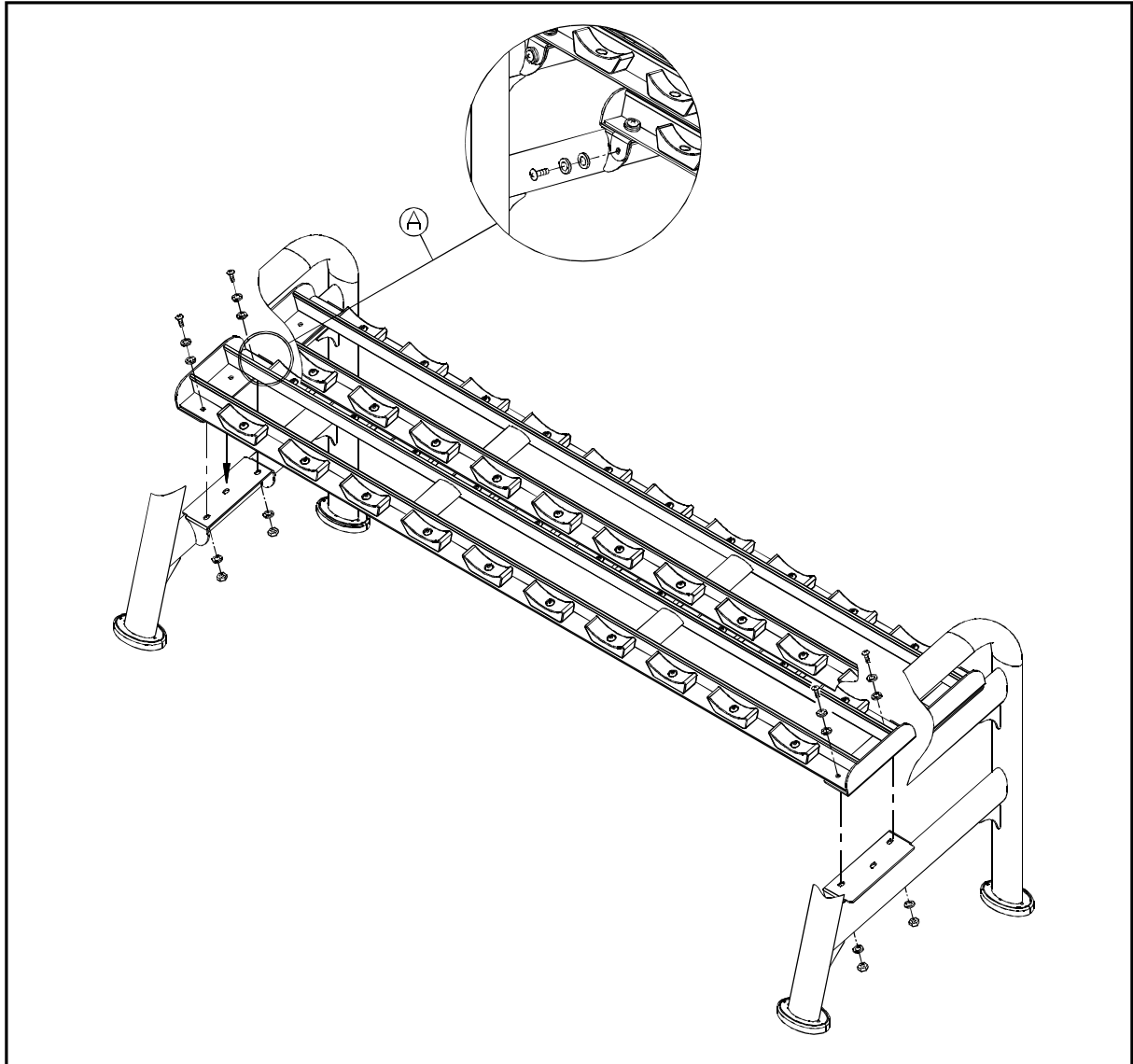


Fig.2